

Premium Hardware for  
Commercial Food Service &  
Food Processing Equipment

# How to Use Our NSF Components



## Front of Shop Environments

---

- Bars and Restaurants
- Buffet and Self Serve Lines
- Visible Preparation Areas
- Made to Order Areas
- Point-of-Purchase Areas



## Retail Environments

---

- Convenience Stores
- Super Markets: Bulk Bins
- Pastry Cases
- Beverage Dispensers
- Cold/Warm Deli Cases
- Storage Areas



## Commercial Kitchens

---

- Bakeries
- Cold Service/Storage
- Virtual Kitchens
- Food/Catering Vehicles (Food Trucks)
- Food Transportation



## Food Manufacturing

---

- Preparation/Production Lines
- Food Processing Equipment
- Food Packaging
- Equipment Storage
- Conveyor Belts





# NSF/ANSI 2 Food Equipment

The **NSF/ANSI 2** Food Equipment is a standard that establishes minimum food protection and sanitation requirements for the materials, design, fabrication, construction and performance of food handling and processing equipment (such as tables, counters, hoods, shelves, sinks and other basic equipment structures used in commercial food service environments).

Source: [www.nsf.org](http://www.nsf.org)

## In This Catalog:

	CATCHES & LATCHES	1-11
	HINGES	12-20
	HANDLES	21-35
	HOOKS	36-42
	LID STAYS	43-51
	GROMMETS & ENCLOSURES	52-54
	LEVELING GLIDES	55-56

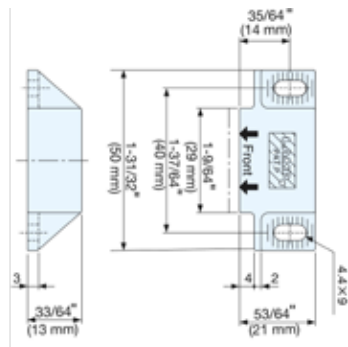
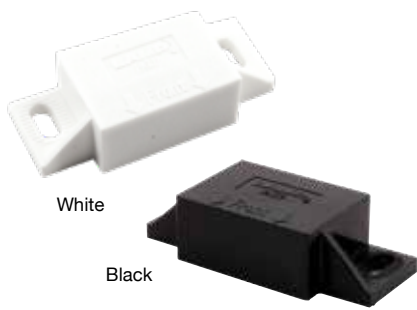




## SEALED MAGNETIC CATCH



MC-JM50



- Hermetically sealed, ideal for high corrosion environments.
- No metal-to-metal contact, ideal for cleanroom applications.
- Strong magnetic force.
- Optional counterplate sold separately:
  - Stainless Steel - MC-JM49, AS-68
  - Plastic Sealed - MC-JMP45
- Note: Only MC-JM50WT is NSF certified.

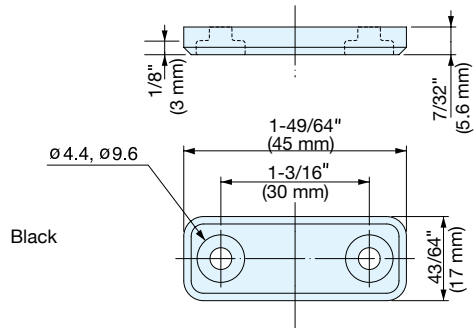
Item No.	Magnetic Force	Weight (g)	Box (pcs)	Carton (pcs)
ML-JM50WT	6.6 lbs (3 kg)	21	24	480
MC-JM50BL				

Part Name	Material	Finish/Color
Body	Polyacetal	White (WT)/Black (BL)
Magnet	Neodymium	-

## SEALED MAGNETIC CATCH



MC-JM45



- Hermetically sealed, ideal for high corrosion environments.
- No metal-to-metal contact, ideal for cleanroom applications.
- Strong magnetic force.
- Optional counterplate sold separately:
  - Stainless Steel - MC-JM49, AS-68
  - Plastic Sealed - MC-JMP45WT, MC-JMP45BL
- Note: Only MC-JM45WT is NSF certified.

Item No.	Magnetic Force	Weight (g)	Box (pcs)	Carton (pcs)
MC-JM45WT	6.6 lbs (3 kg)	8.5	100	1000
MC-JM45BL				

Part Name	Material	Finish/Color
Body	Polypropylene	White (WT)/Black (BL)
Magnet	Neodymium	-

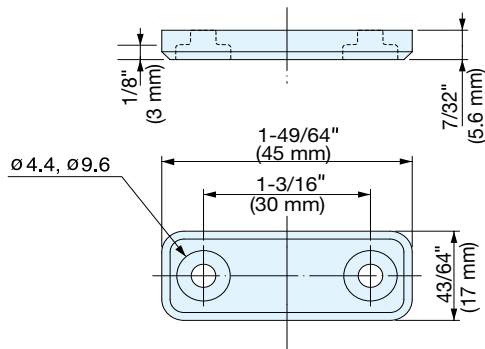


# SEALED COUNTERPLATE



# MC-JMP45

Catches & Latches



- Hermetically sealed strike eliminates metal particles when applied with MC-JM sealed magnetic catches.
- Same design as MC-JM45WT, MC-JM45BL- Blue marking on the back side to distinguish strike plate from magnet.
- Note: Only MC-JMPWT is NSF certified

Part Name	Material	Finish/Color	
Body	Polypropylene	White (WT)/Black (BL)	
Plate	Steel	Plain	

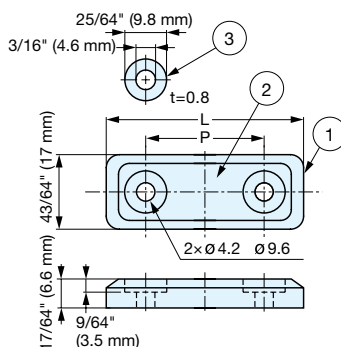
  

Item No.	Weight (g)	Box (pcs)	Carton (pcs)
MC-JMP45WT	8.5	100	1000
MC-JMP45BL			

# SEALED MAGNETIC CATCH



# MC-MS45/50



- Sealed with silicon rubber to reduce noise when door closes.
- Strong magnetic force.
- Optional counterplate sold separately
  - Stainless Steel - MCJM49, AS-68
  - Plastic Sealed - MC-JMP45
- Screws not included: M4 truss screw recommended.

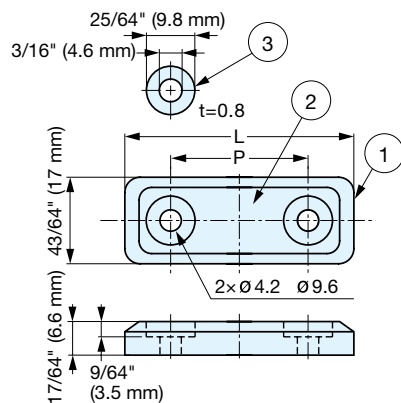
No.	Part Name	Material	Finish/Color
①	Body	Silicone Rubber	Light Gray/ Dark Gray
②	Magnet	Neodymium	Nickel
③	Washer	304 Stainless Steel	Plain

Item No.	Body Color	L	P	Magnetic Force (kg)	Weight (g)	Box (pcs)	Carton (pcs)
MC-MS45LGR	Light Gray	1-49/64" (45 mm)	1-1/16" (27 mm)	4.4 lbs (2.0 kg)	12	100	1000
MC-MS45DGR	Dark Gray			4.4 lbs (2.0 kg)			
MC-MS50LGR	Light Gray	2-49/64" (70 mm)	1-17/64" (32 mm)	8.8 lbs (4.0 kg)	15	100	1000
MC-MS50DGR	Dark Gray						

# SEALED MAGNETIC CATCH



# MC-MSH



- Sealed with silicon rubber to reduce noise when door closes.
- Strong magnetic force.
- Optional counterplate sold separately
  - Stainless Steel - MCJM49, AS-68
  - Plastic Sealed - MC-JMP45
- Screws not included: M4 truss screw recommended.

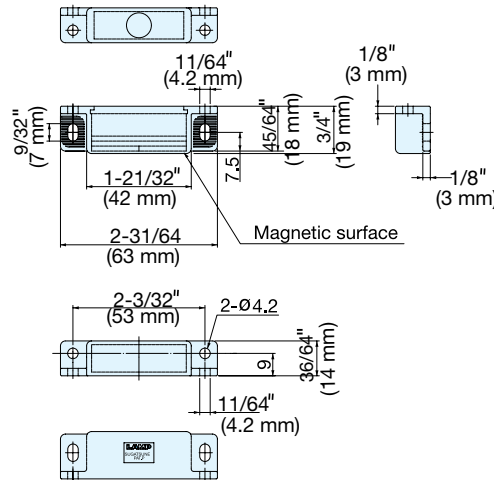
No.	Part Name	Material	Finish/Color
①	Body	Silicone Rubber	Blue
②	Magnet	Neodymium	Nickel
③	Washer	304 Stainless Steel	Plain

Item No.	L	P	Magnetic Force	Weight (g)	Box (pcs)	Carton (pcs)
MC-MSH45BU	1-49/64" (45 mm)	1-1/16" (27 mm)	4.4 lbs (2.0 kg)	12	100	1000
MC-MSH50BU	1-31/32" (50 mm)	1-17/64" (32 mm)	8.8 lbs (4.0 kg)	15		

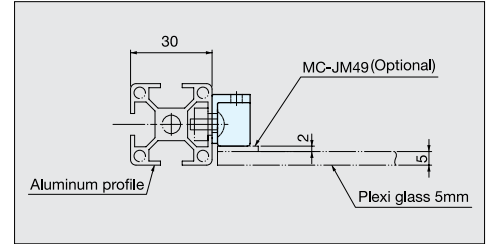
# SEALED MAGNETIC CATCH



## MC-JM63G



- Hermetically sealed, ideal for high corrosion environments.
- No metal-to-metal contact, ideal for cleanroom applications.
- Strong magnetic force.
- Optional counterplate sold separately:
  - Stainless Steel - MC-JM49, AS-68
  - Plastic Sealed - MC-JMP45



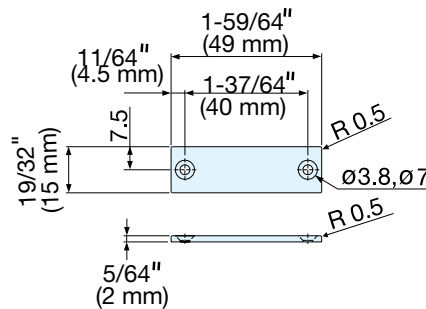
Item No.	Magnetic Force	Weight (g)	Box (pcs)	Carton (pcs)
MC-JM63G15	3.3 lbs (1.5 kg)	20	50	500
MC-JM63G30	6.6 lbs (3.0 kg)			
MC-JM63G50	11 lbs (5.0 kg)			

Part Name	Material	Finish/Color
Body	Polyacetal	Light Grey
Magnet	Neodymium	-

# STAINLESS STEEL COUNTERPLATE



## MC-JM49



- Special plate for MC-JM magnetic catches.
- Equivalent to 304 stainless steel, ideal for applications where rust is an issue.
- High-corrosion resistant.

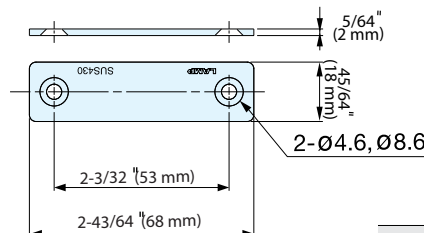
Material	Finish
304 Stainless Steel (Equivalent)	Plain

Item No.	Weight (g)	Box (pcs)	Carton (pcs)
MC-JM49	10	100	1000

# STAINLESS STEEL COUNTERPLATE



## AS-68



- Special plate for MC-JM magnetic catches.
- 430 stainless steel provides corrosion resistance.

Material	Finish
304 Stainless Steel	Plain

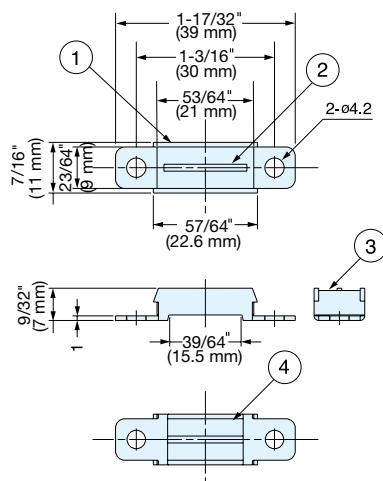
Item No.	Weight (g)	Box (pcs)	Carton (pcs)
AS-68	17	100	1000



# STAINLESS STEEL MAGNETIC CATCH



## MC-YN005



• Thin magnetic catch ideal for tight spaces.

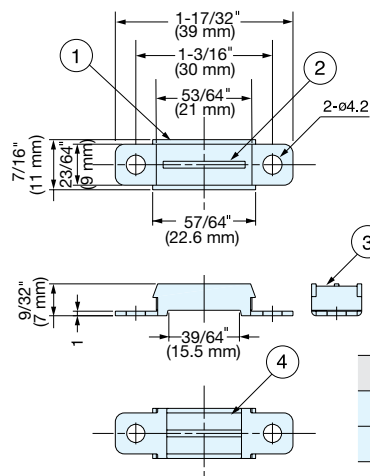
No.	Part Name	Material	Finish
①	Yoke	430 Stainless Steel	Plain
②	Center Yoke		
③	Cover	304 Stainless Steel	
④	Magnet	Ferrite	-

Item No.	Magnetic Force	Weight (g)	Box (pcs)	Carton (pcs)
MC-YN005	6.6 lbs (3 kg)	9	200	1000

# HIGH TEMPERATURE MAGNETIC CATCH



## MC-YN005HP



• Suitable for high temperature environments up to 250°C (482°F).  
 • Optional counterplates sold separately:  
 - MC-JM49  
 - AS-68

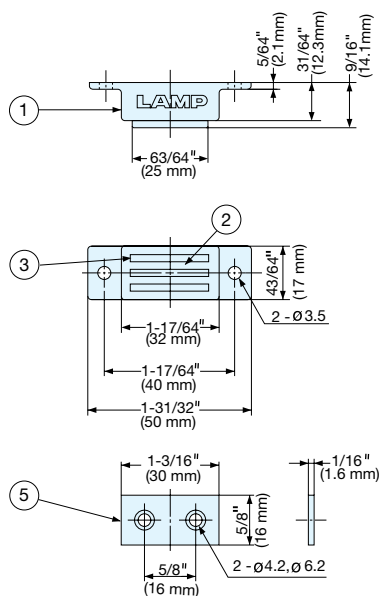
No.	Part Name	Material	Finish/Color
①	Yoke	430 Stainless Steel	Plain
②	Magnet	Samarium Cobalt	-
③	Housing	304 Stainless Steel	Plain
④	Center Yoke	430 Stainless Steel	

Item No.	Magnetic Force	Weight (g)	Box(pcs)	Carton(pcs)
MC-YN005HP-20	4.4 lbs (2.0 kg)	11	200	1000
MC-YN005HP-50	11 lbs (5.1 kg)			

# HIGH TEMPERATURE MAGNETIC CATCH



## MC0083HP



• Suitable for high temperature environments up to 250°C (482°F).  
 • Strong magnetic force.  
 • Optional counterplates sold separately:  
 - MC-JM49  
 - AS-68

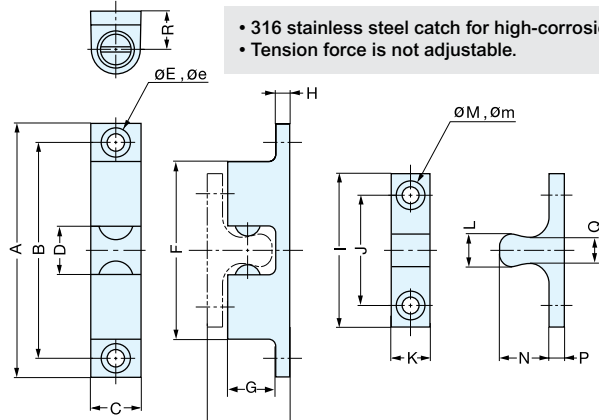
No.	Part Name	Material	Finish/Color
①	Housing	304 Stainless Steel	Plain
②	Magnet	Samarium Cobalt	-
③	Yoke	430 Stainless Steel	Plain

Item No.	Magnetic Force	Weight (g)	Box(pcs)	Carton(pcs)
MC0083HP-70	15.6 lbs (7.1 kg)	40	40	400
MC0083HP-140	31.5 lbs (14.3 kg)			

# STAINLESS STEEL TENSION CATCH



BCTS



- 316 stainless steel catch for high-corrosion resistance.
- Tension force is not adjustable.

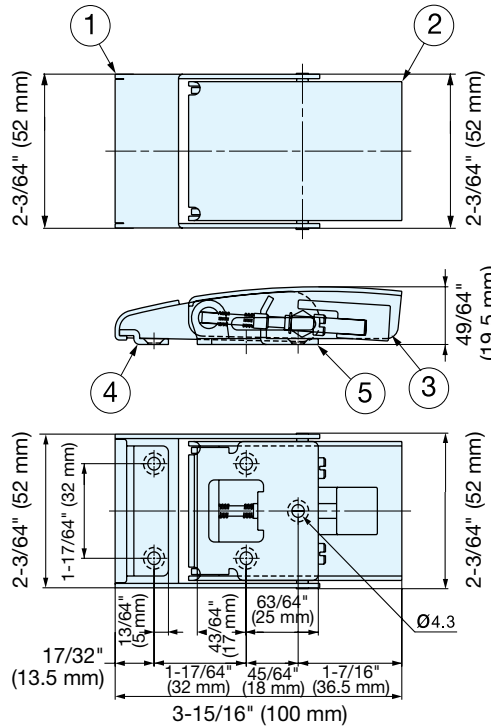
Item No.	Push in Force	Pulling Force	Weight (g)	Box (pcs)	Carton (pcs)	Material	Finish
BCTS-40	4.4 lbs (2.0 kg)	2.9 lbs (1.3 kg)	18	50	600	316 Stainless Steel	Polished
BCTS-50	5.0 lbs (2.3 kg)	3.9 lbs (1.8 kg)	30				
BCTS-70	12.5 lbs (5.7 kg)	8.5 lbs (3.9 kg)	83				

Item No.	A	B	C	D	E	e	F	G	H	I	J	K	L	M	m	N	P	Q	R	(S)
BCTS-40	1-11/16" (43)	25/32" (35)	5/16" (8)	15/64" (5.9)	1/8" (3.2)	1/4" (6.2)	1-1/8" (28.4)	19/64" (7.5)	3/32" (2.5)	63/64" (25)	5/8" (16)	19/64" (7.5)	11/64" (4.5)	1/8" (3.2)	1/4" (6.2)	21/64" (8.5)	3/32" (2.5)	7/64" (2.7)	15/64" (6)	17/32" (13.5)
BCTS-50	1-31/32" (50)	1-37/64" (40)	25/64" (10)	19/64" (7.5)	11/64" (4.2)	21/64" (8.2)	1-15/64" (31.5)	23/64" (9.3)	7/64" (2.9)	1-3/16" (30)	25/32" (20)	23/64" (9)	15/64" (6)	11/64" (4.2)	21/64" (8.2)	13/32" (10.3)	7/64" (2.9)	5/32" (3.8)	9/32" (7.2)	41/64" (16.1)
BCTS-70	2-3/4" (70)	2-23/64" (60)	33/64" (13)	33/64" (13)			2-1/64" (51)	33/64" (13)	5/32" (4)	1-42/64" (42)	1-3/16" (30)	13/32" (10.5)	25/64" (10)			19/32" (15)	5/32" (4)	5/16" (8)	13/32" (10.5)	29/32" (23)

# DRAW LATCH (W/SAFETY LOCK)

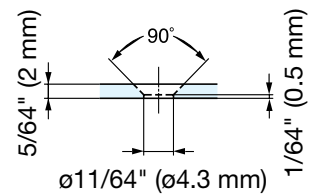
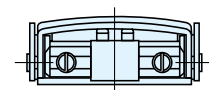


STF-100

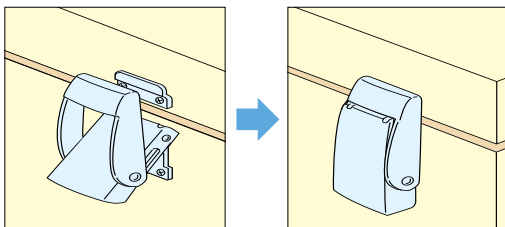


- With safety lock to prevent accidental release.
- Push safety button and lift to release.

Recommended Screw : M4



Countersunk Hole



No.	Part Name	Material	Finish
①	Body A	304 Stainless Steel	Satin
②	Body B		Satin
③	Button	Synthetic Rubber	Black
④	Counterplate	304 Stainless Steel	Satin
⑤	Mounting Plate		Polished

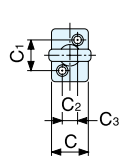
Item No.	Load Capacity	Weight (g)	Box (pcs)	Carton (pcs)
STF-100	176 (80 kg)	190	6	120



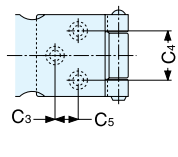
# STAINLESS STEEL HASP



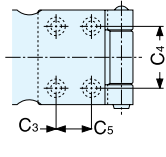
HP



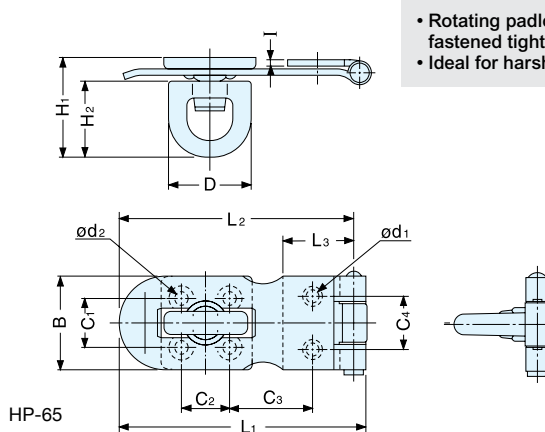
HP-40/50 Rotating eye



HP-75/100 Mounting Plate



HP-120 Mounting Plate



HP-65

- Rotating padlock eye allows hasp to stay fastened tight without a padlock.
- Ideal for harsh and highly corrosive environments.

Material	Finish
304 Stainless Steel	Polished

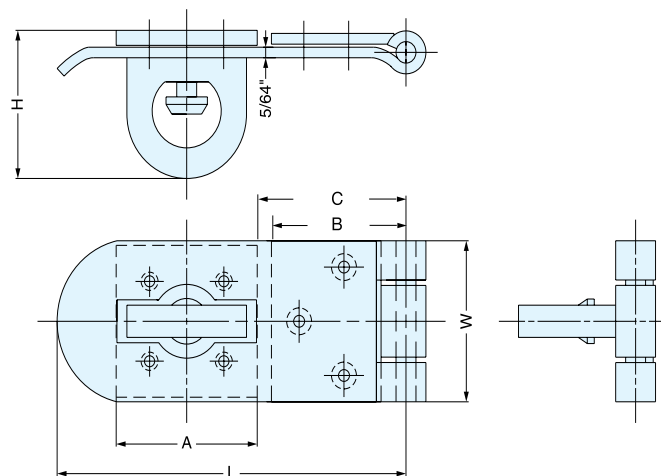
Item No.	L <sub>1</sub>	L <sub>2</sub>	L <sub>3</sub>	B	C <sub>1</sub>	C <sub>2</sub>	C <sub>3</sub>	C <sub>4</sub>	C <sub>5</sub>	H <sub>1</sub>	H <sub>2</sub>	C	D	I	d <sub>1</sub>	d <sub>2</sub>	Weight (g)	Box (pcs)	Carton (pcs)
HP-40	1-37/64" (40)	1-29/64" (37)	33/64" (13)	7/8" (22)	33/64" (13)	1/4" (6.4)	27/64" (10.8)	15/32" (12)	-	55/64" (22)	45/64" (17.9)	39/64" (15.3)	45/64" (17.7)	3/64" (1.2)	1/8" (3)	1/8" (3)	21.5	30	300
HP-50	1-31/32" (50)	1-27/32" (47)		7/8" (22.3)		23/64" (9)	5/8" (16)					23/32" (18.3)							
HP-65	2-9/16" (65)	2-7/16" (62)	3/4" (19)	15/16" (24)	19/32" (15)	33/64" (13)	27/32" (21.5)	35/64" (14)	-	31/32" (24.5)	51/64" (20.4)	31/32" (24.5)	57/64" (22.5)	1/16" (1.5)	1/8" (3.2)	1/8" (3.2)	41.5	20	200
HP-75	2-61/64" (75)	2-53/64" (72)	31/32" (24.8)	1-1/16" (27)		19/32" (15)	19/32" (15)	5/8" (15.7)	5/8" (16)	3/8" (9.5)	1-5/64" (27.4)	7/8" (22)	1-3/32" (27.8)		29/32" (23.2)	5/32" (3.8)			
HP-100	3-15/16" (100)	3-47/64" (95)	1-3/16" (30)	1-25/64" (35.5)	3/4" (19)	3/4" (19)	1-9/64" (29)	53/64" (21)	25/64" (10)	1-9/32" (32.2)	1-3/32" (27.9)	1-25/64" (35.5)	1-7/32" (31)	5/64" (2)	5/32" (4.0)	11/64" (4.5)	118.5	10	100
HP-120	4-23/32" (120)	4-17/32" (115)	1-25/64" (35.5)	1-37/64" (40)	53/64" (21)	7/8" (22)	1-1/2" (38)	1-1/32" (26)	19/32" (15)	1-3/8" (34.8)		1-19/32" (40.5)		3/32" (2.5)	13/64" (5.2)	13/64" (5.2)			

# STAINLESS STEEL HASP



HP-635S, 645S, 660S

- Rotating padlock eye allows hasp to stay fastened tight without a padlock.
- Ideal for harsh and highly corrosive environments.



Material	Finish
316 Stainless Steel	Electro Polished

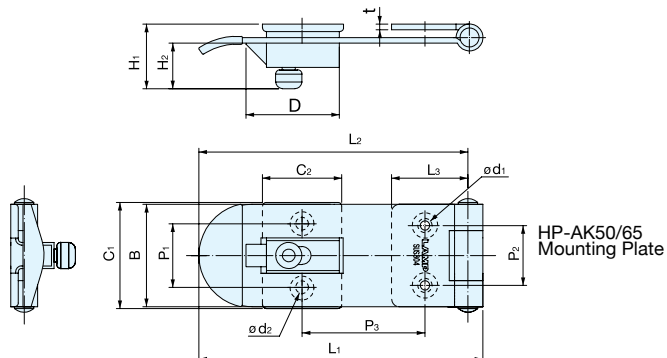
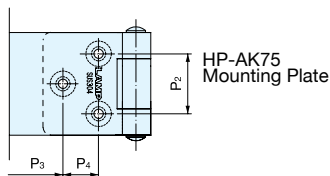
Item No.	L	W	A	B	C	H	Weight (g)	Box (pcs)	Carton (pcs)
HP-635S	3-1/2" (89 mm)	1-1/2" (38 mm)	1-1/2" (38 mm)	1-5/16" (53 mm)	1-19/32" (40 mm)	1-3/8" (35 mm)	130	25	200
HP-645S	4-1/2" (114 mm)			2-1/4" (57 mm)	2-7/16" (62 mm)		184	20	160
HP-660S	6" (152 mm)	2" (59 mm)		2-3/4" (70 mm)	3-7/8" (98 mm)		302	10	100

# LATCH HASP



# HP-AK

- Hasp with built-in latch.
  - Snap on the flap to keep latch closed.
  - Slide the latch knob to release.
- Flap is spring loaded in open direction.
- Plastic cap on end softens the opening sound.



Item No.	L <sub>1</sub>	L <sub>2</sub>	L <sub>3</sub>	B	P <sub>1</sub>	P <sub>2</sub>	P <sub>3</sub>	P <sub>4</sub>	H <sub>1</sub>	H <sub>2</sub>
HP-AK50	2-1/64" (51)	1-57/64" (48)	33/64" (13)	7/8" (22.2)	17/32" (13.5)	15/32" (12)	3/4" (19)	-	21/32" (16.6)	7/16" (11.2)
HP-AK65	2-19/32" (66)	2-31/64" (63)	3/4" (19)	61/64" (24.2)		35/64" (14)	1-7/64" (28)	-		
HP-AK75	2-63/64" (76)	2-53/64" (72)	31/32" (24.8)	1-3/64" (27.4)	43/64" (17)	5/8" (16)	1-3/8" (35)	3/8" (9.5)	11/16" (17.5)	31/64" (12.2)

Material	Finish
304 Stainless Steel	Polished
PVC (Cover)	Black

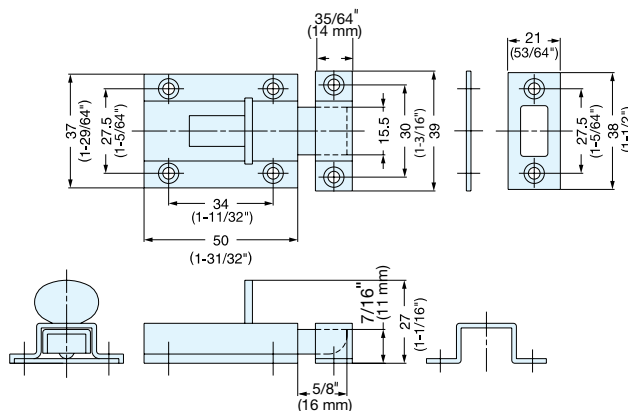
Item No.	C <sub>1</sub>	C <sub>2</sub>	D	t	d <sub>1</sub>	d <sub>2</sub>	Weight (g)	Box (pcs)	Carton (pcs)
HP-AK50	29/32" (23)	45/64" (18)	13/16" (20.5)	3/64" (1.2)	1/8" (3)	3/32" (2.3)	22	25	250
HP-AK65					1/8" (3.2)	1/8" (3.2)			
HP-AK75	1-3/32" (27.6)	53/64" (21.2)	63/64" (25)	1/16" (1.5)	5/32" (3.8)	9/64" (3.4)	48	15	150

# SLIDE BOLT



# KR-50

- Tab style knob provides an easy grip.
- 2 counterplates included for different mountings.



Material	Finish
304 Stainless Steel	Satin

Item No.	Weight (g)	Box (pcs)	Carton (pcs)
KR-50	80	20	200

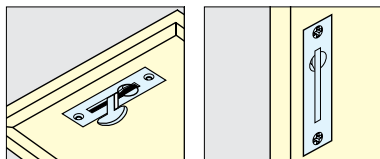
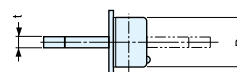
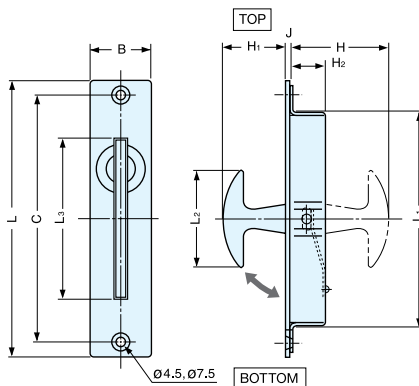


# HATCH PULL



## ST-90, 115

- The handle is concealed when not in use to stay out of the way.
- T-handle design
- ST-90 is RoHS compliant.



Material	Finish
304 Stainless Steel	Satin

Item No.	L	L1	L2	L3	H	H1	H2	J	B	B1	t	C
ST-90	3-35/64" (90)	2-39/64" (66.2)	1-3/16" (30.2)	2-1/4" (57)	1-25/64" (35.5)	29/32" (23.2)	13/32" (10.5)	3/32" (2.2)	55/64" (22)	47/64" (18.5)	5/32" (3.8)	3-5/32" (80)
ST-115	4-17/32" (115)	3-25/64" (86.2)	1-37/64" (40)	2-41/64" (67)	1-21/32" (42)	1-1/32" (26)	33/64" (13)	3/32" (2.5)	63/64" (25)	25/32" (20)	5/32" (4)	4-1/64" (102)

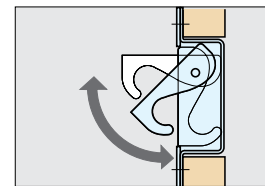
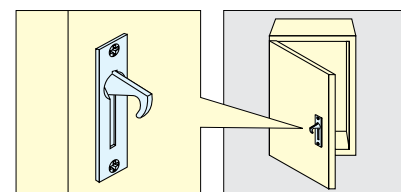
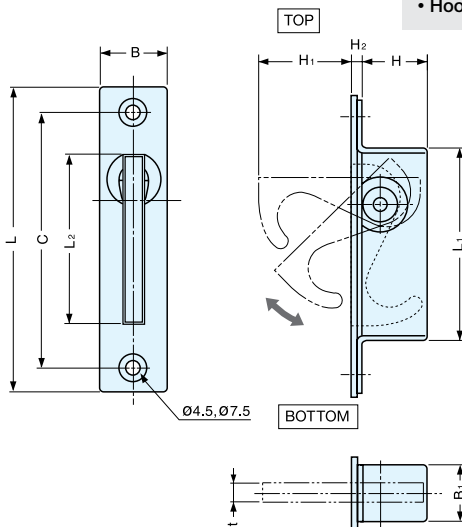
Item No.	Weight (g)	Box (pcs)	Carton (pcs)	Screw
ST-90	68	30	300	3.5 x 22
ST-115	102	20	200	3.5 x 25

# HATCH PULL



## ST-80, 100

- The handle is concealed when not in use to stay out of the way.
- Hook design



Material	Finish
304 Stainless Steel	Satin

Item No.	L	L1	L2	H	H1	H2	B	B1	t	C
ST-80	3-9/64" (80)	1-31/32" (50)	1-47/64" (44)	45/64" (18)	63/64" (25)	5/64" (2)	45/64" (18)	19/32" (15)	13/64" (5)	2-43/64" (68)
ST-100	3-15/16" (100)	2-31/64" (63)	2-1/8" (54)	53/64" (21)	1-17/64" (32)		25/32" (20)			3-11/32" (85)

Item No.	Weight (g)	Box (pcs)	Carton (pcs)	Screw
ST-80	48	30	300	3.5 x 16
ST-100	66	20	200	3.5 x 20

# BAR LATCH



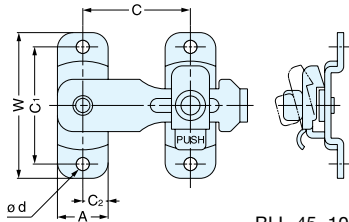
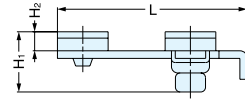
BLL



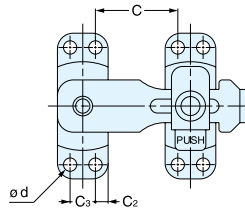
BLL-100



BLL-45

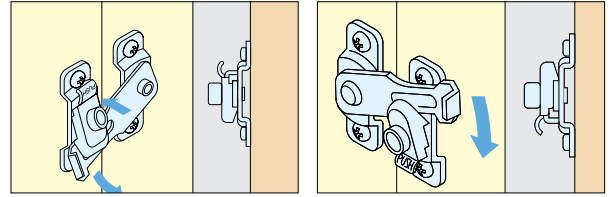


BLL-45~100



BLL-120, 150

- Latch bolt snaps into the strike to prevent accidental release.
- Push tab on strike to release.



Material	Finish
304 Stainless Steel	Polished

Item No.	Box (pcs)	Carton (pcs)	Screw
BLL-45	20	400	3.0 × 10
BLL-60			3.5 × 16
BLL-80	10	200	4.5 × 16
BLL-100		100	5.0 × 20
BLL-120	8	80	
BLL-150	6	60	

Item No.	L	W	A	C <sub>1</sub>	C <sub>2</sub>	C <sub>3</sub>	H <sub>1</sub>	H <sub>2</sub>	C	d	Weight (g)
BLL-45	1-57/64" (48)	1-37/64" (40)	33/64" (13.0)	1-17/64" (32)	1/4" (6.5)	-	43/64" (17)	11/64" (4.5)	29/32" ± 1/8" (23 ± 3)	3.2	28
BLL-60	2-31/64" (63)	1-13/16" (46)	5/8" (16.0)	1-29/64" (37)	5/16" (8)	-	25/32" (20)	15/64" (6)	1-11/32" ± 5/32" (34 ± 4)	4.2	50
BLL-80	3-11/32" (85)	2-9/16" (65)	51/64" (20.0)	2-3/32" (53)	24/64" (10)	-	57/64" (22.5)	9/32" (7)	1-27/32" ± 9/32" (47 ± 7)	5.0	100
BLL-100	4-1/8" (105)	3-5/32" (80)	63/64" (25.0)	2-19/32" (66)	31/64" (12.5)	-	1-3/64" (26.5)	5/16" (8)	2-21/64" ± 9/32" (59 ± 7)	5.5	182
BLL-120	5" (127)	3-15/16" (100)	1-1/8" (28.5)	3-5/32" (80)	17/64" (6.75)	19/32" (15)	1-7/64" (28)		2-13/64" ± 25/64" (56 ± 10)	5.2	270
BLL-150	6-3/32" (155)	4-23/32" (120)	1-13/64" (30.5)	3-47/64" (95)	9/32" (7.25)	5/8" (16)			2-29/32" ± 35/64" (74 ± 14)	5.2	350

# BAR LATCH



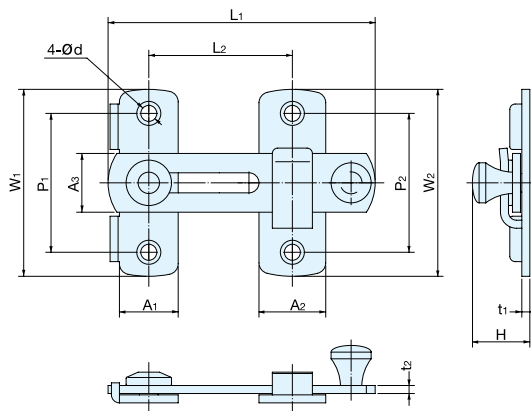
SSL



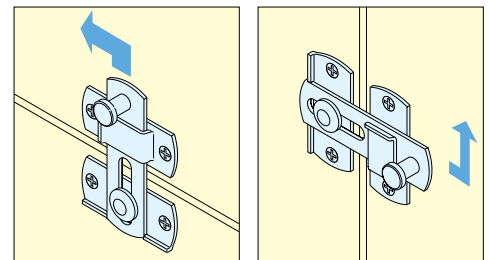
SSL-100



SSL-50



- Unique slide-in bar keeps latch locked.
- Slide out and lift the bar to release.



Material	Finish
304 Stainless Steel	Polished

Item No.	L <sub>1</sub>	L <sub>2</sub>	W <sub>1</sub>	W <sub>2</sub>	A <sub>1</sub>	A <sub>2</sub>	A <sub>3</sub>	P <sub>1</sub>	P <sub>2</sub>	H	t <sub>1</sub>	t <sub>2</sub>	d	Screw	Weight (g)	Box (pcs)	Carton (pcs)
SSL-50	1-31/32" (50 mm)	20±4	1-3/8" (35 mm)	1-3/8" (35 mm)	33/64" (13 mm)	19/32" (15 mm)	33/64" (13 mm)	1-1/32" (26 mm)	1-1/32" (26 mm)	37/64" (14.5 mm)	5/64" (2)	5/64" (2)	4.2, 6.2	3.0x16	32	20	600
SSL-70	2-49/64" (70 mm)	28±6	1-31/32" (50 mm)	1-31/32" (50 mm)	45/64" (18 mm)	25/32" (20 mm)	45/64" (18 mm)	1-29/64" (37 mm)	1-29/64" (37 mm)	3/4" (19 mm)	5/64" (2)	3/32" (2.5)	5.2, 8.0	3.5x16	68		360
SSL-100	3-15/16" (100 mm)	45±15	2-49/64" (70 mm)	2-49/64" (70 mm)	55/64" (22 mm)	63/64" (25 mm)	55/64" (22 mm)	2-3/64" (52 mm)	2-3/64" (52 mm)	27/32" (21.5 mm)	1/8" (3)	1/8" (3)	5.8, 9.0	4.0x25	142	10	160

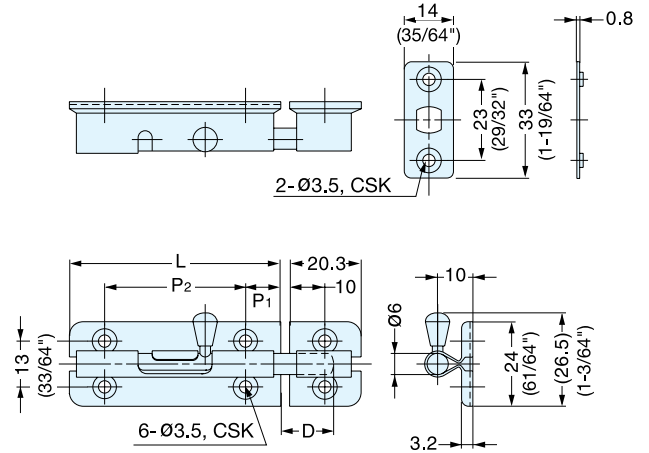
# SPRING LOADED BARREL BOLT



- Knob springs back into sleeve to keep bolt in locked or unlocked position.
- 2 counterplates included for different mountings.



BL-60SS



Item No.	L	P <sub>1</sub>	P <sub>2</sub>	D	Weight (g)	Box (pcs)	Carton (pcs)	Material	Finish
BL-40SS	1-37/64" (40 mm)	19/64" (7.5 mm)	63/64" (25 mm)	7/16" (11 mm)	36	30	450	304 Stainless Steel	Satin
BL-60SS	2-23/64" (60 mm)	25/64" (10 mm)	1-37/64" (40 mm)	19/32" (15 mm)	50				

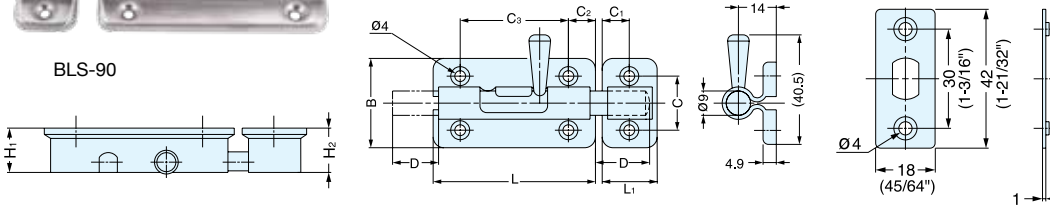
# SPRING LOADED BARREL BOLT



- Knob springs back into sleeve to keep bolt in locked or unlocked position.
- 2 counterplates included for different mountings.



BLS-90



Item No.	L	L <sub>1</sub>	H <sub>1</sub>	H <sub>2</sub>	B	C	C <sub>1</sub>	C <sub>2</sub>	C <sub>3</sub>	D	Weight (g)	Box (pcs)	Carton (pcs)
BLS-60	2-23/64" (60 mm)	1" (25.4 mm)	25/32" (20 mm)	51/64" (20.4 mm)	1-19/64" (33 mm)	51/64" (20 mm)	1/2" (12.7 mm)	25/64" (10 mm)	1-37/64" (40 mm)	43/64" (17 mm)	109	20	200
BLS-90	3-35/64" (90 mm)		31/64" (12.5 mm)	2-9/16" (65 mm)	15/16" (24 mm)	147	15	150					

# SPRING LOADED BARREL BOLT

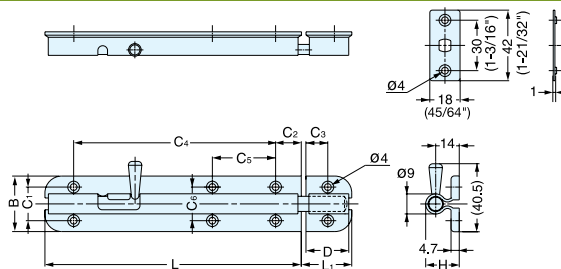


- Knob springs back into sleeve to keep bolt in locked or unlocked position.
- 2 counterplates included for different mountings.



BSS-240

BSS-240



Part Name	Material	Finish
Body and Plates	304 Stainless Steel	Satin
Bolt and Knob	303 Stainless Steel	Plain

Item No.	L	L <sub>1</sub>	H	B	C <sub>1</sub>	C <sub>2</sub>	C <sub>3</sub>	C <sub>4</sub>	C <sub>5</sub>	C <sub>6</sub>	D	Weight (g)	Box (pcs)	Carton (pcs)
BSS-90	3-35/64" (90 mm)	1-3/16" (30 mm)	25/32" (20 mm)	1-19/64" (33 mm)	13/16" (20.5 mm)	33/64" (13 mm)	33/64" (13 mm)	2-23/64" (60 mm)	-	25/32" (20)	24	142	15	150
BSS-150	5-29/32" (150 mm)						19/32" (15 mm)	4-17/32" (115 mm)	-		32	215	10	100
BSS-240	9-29/64" (240 mm)						8-5/64" (205 mm)	2-23/64" (60)	32		330	6	60	



DOOR CHAIN



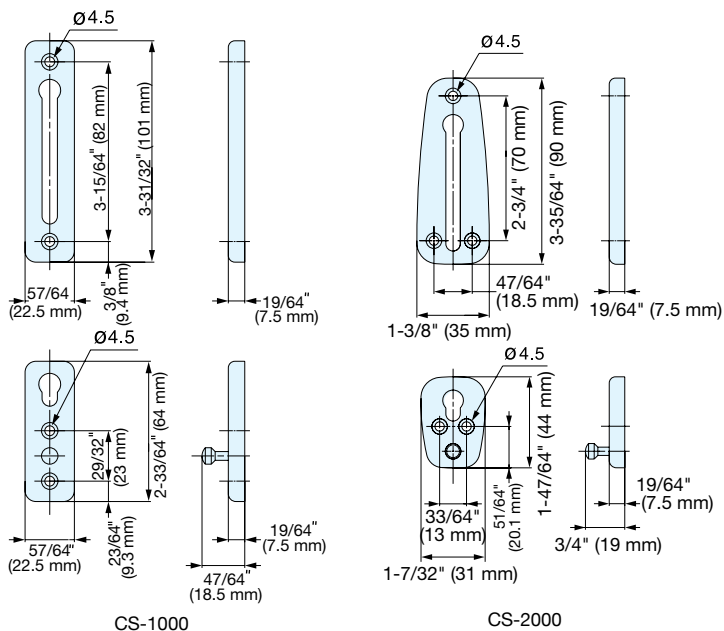
• Doors can be slightly opened while providing a security barrier.



CS-1000



CS-2000



Item No.	Weight (g)	Box (pcs)	Carton (pcs)
CS-1000	115	15	150
CS-2000	120		

Material	Finish
304 Stainless Steel	Mirror (M)/Satin (S)



Quality That STANDS OUT!



# HALF OVERLAY GLASS DOOR HINGE



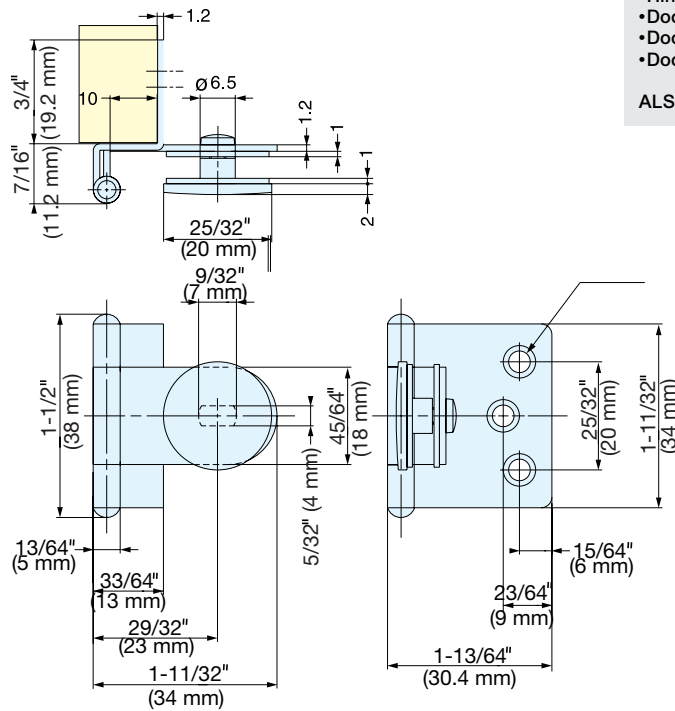
GH-34/8



GH-34/8/CR



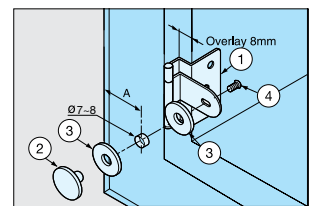
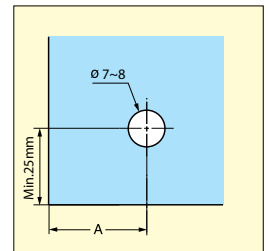
GH-34/8/BL



- Half overlay.
- Hinge for glass/acrylic doors.
- Door thickness: 4-6 mm
- Door size: Max. W450 × H700 (W17-3/4" × H27-9/16")
- Door weight: Max. 8.8 lbs/pair (4 kg/pair)

ALSO AVAILABLE IN INSET

Cut Out Dimension



No.	Part Name	Material	Finish
①	Body	Steel	Chrome/Black
②	Plate	Brass	
③	Washer	PVC	Clear
④	Screw	Steel	Nickel/Black

Item No.	Weight (g)	Box (pcs)	Carton (pcs)
GH-34/8/CR-P	25	50	500
GH-34/8/BL-P			

Glass Thickness	A	Overlay
5/32" (4 mm)	3/4" (19 mm)	5/16" (8 mm)
3/16" (5 mm)	45/64" (18 mm)	9/32" (7 mm)
15/64" (6 mm)	43/64" (17 mm)	15/64" (6 mm)

# CONCEALED HINGE (14mm OVERLAY)



# 304B-46/14, C46/14



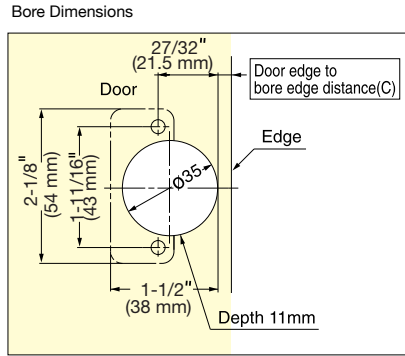
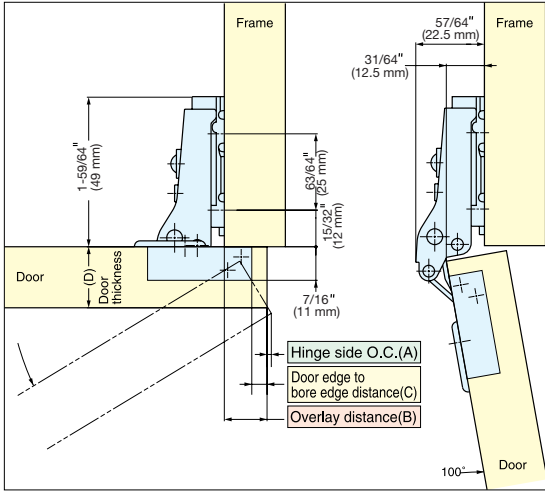
■ Door edge to bore edge distance (C) and Overlay distance (B) Table 1.

Door edge to bore edge distance (C)	3	4	5
Overlay distance (B)	12	13	14

■ Hinge side opening clearance chart Table 2.

Door thickness (D)	Door edge to bore edge distance (C)		
	3	4	5
15	0.5	0.5	0.5
16	0.7	0.7	0.7
17	0.8	0.8	0.8
18	1.0	1.0	1.0
19	1.2	1.2	1.2
20	1.4	1.4	1.4

Hinge side O.C. (A)



Material	Finish
304 Stainless Steel	Polished

Item No.	Type	Weight (g)	Carton (pcs)
304B-46/14	Free Swinging	60	200
304B-C46/14	Self-Closing		

# CONCEALED HINGE (19mm OVERLAY)



# 304B-46/19, C46/19



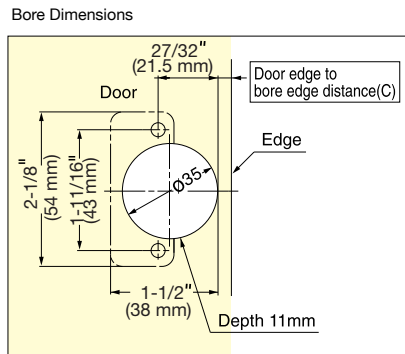
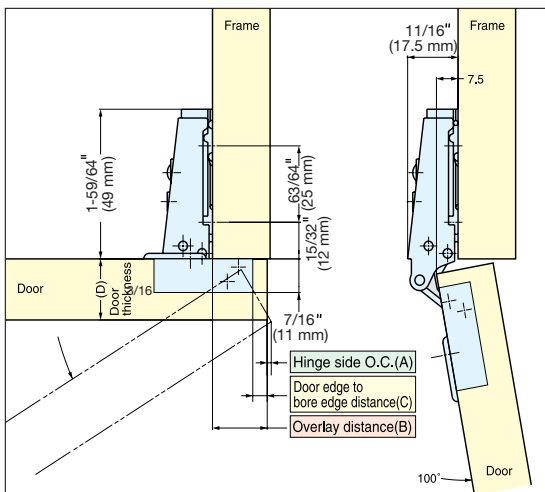
■ Door edge to bore edge distance (C) and Overlay distance (B) Table 1.

Door edge to bore edge distance (C)	3	4	5
Overlay distance (B)	17	18	19

■ Hinge side opening clearance chart Table 2.

Door thickness (D)	Door edge to bore edge distance (C)		
	3	4	5
15	0.5	0.5	0.5
16	0.7	0.7	0.7
17	0.8	0.8	0.8
18	1.0	1.0	1.0
19	1.2	1.2	1.2
20	1.4	1.4	1.4

Hinge side O.C. (A)



Material	Finish
304 Stainless Steel	Polished

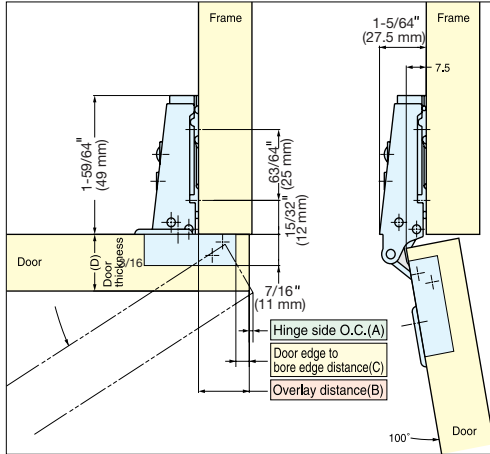
Item No.	Type	Weight (g)	Carton (pcs)
304B-46/19	Free Swinging	60	200
304B-C46/19	Self-Closing		



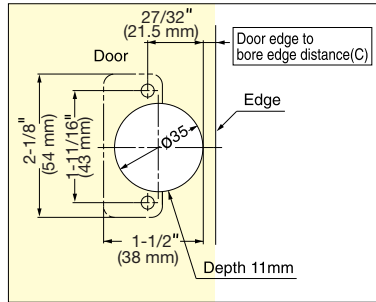
# CONCEALED HINGE (9mm OVERLAY)



304B-46/9, C46/9



Bore Dimensions



■ Door edge to bore edge distance (C) and Overlay distance (B) Table 1.

Door edge to bore edge distance (C)	3	4	5
Overlay distance (B)	7	8	9

■ Hinge side opening clearance chart Table 2.

Door thickness (D)	Door edge to bore edge distance (C)		
	3	4	5
15	0.5	0.5	0.5
16	0.7	0.7	0.7
17	0.8	0.8	0.8
18	1.0	1.0	1.0
19	1.2	1.2	1.2
20	1.4	1.4	1.4
Hinge side O.C. (A)			

Hinges

Material	Finish
304 Stainless Steel	Polished

Item No.	Type	Weight (g)	Carton (pcs)
304B-46/9	Free Swinging	60	200
304B-C46/9	Self-Closing		

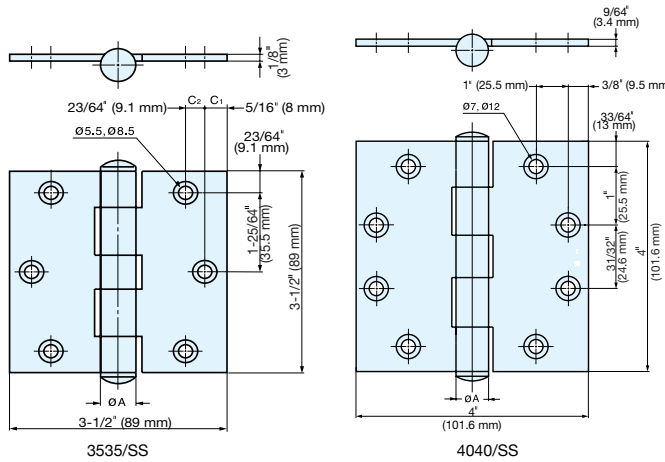
# BUTT HINGE



3535/SS, 4040/SS



4040/SS



- Door weight: 3535/SS Max. 25kg/pair (55lbs/pair)
- 4040/SS Max. 40kg/pair (88lbs/pair)

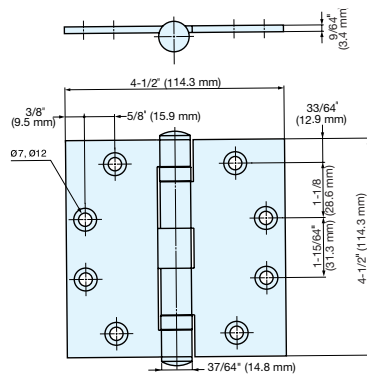
Material	Finish
304 Stainless Steel	Satin

Item No.	Weight (g)	Box (pcs)	Carton (pcs)
3535/SS	145	2	10
4040/SS	195		50

# BUTT HINGE (W/BALL BEARING)



4545B/SS

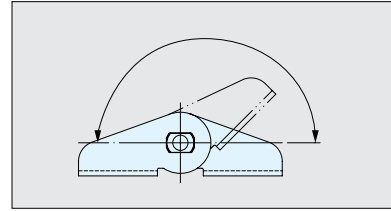


- Ball bearing provides smooth movement.
- Door weight: Max. 45kgpair (99lbs/pair)

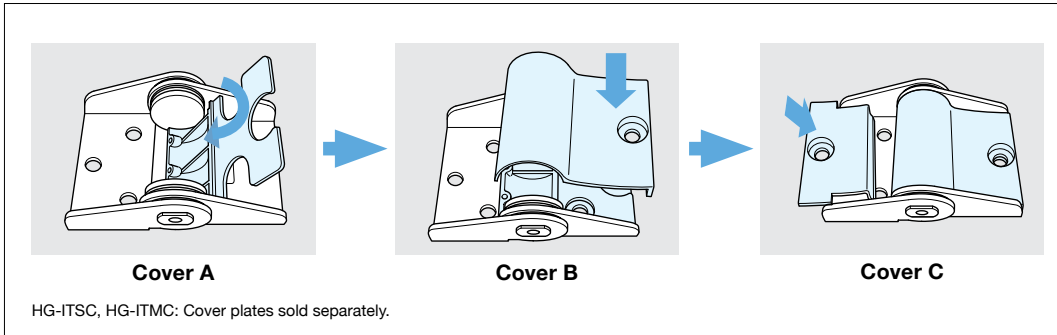
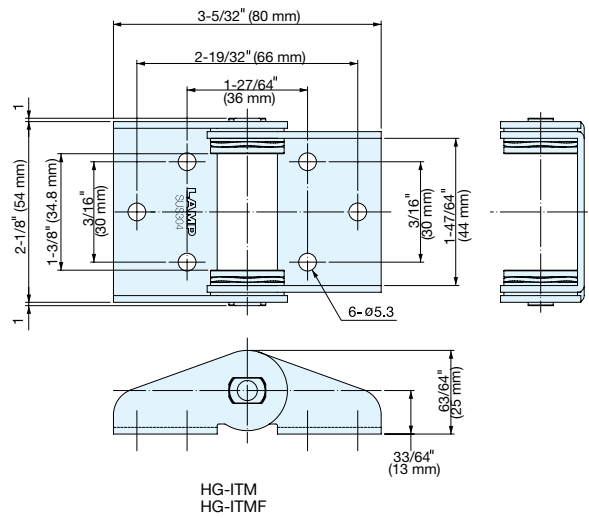
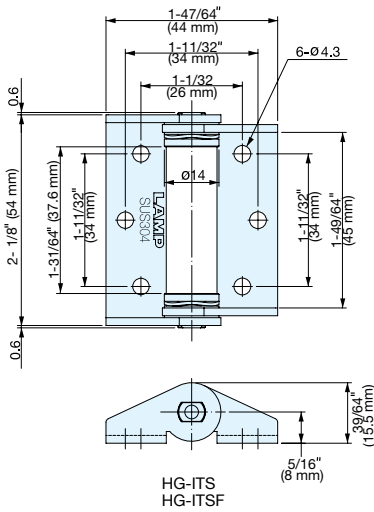
Material	Finish
304 Stainless Steel	Satin

Item No.	Weight (g)	Box (pcs)	Carton (pcs)
4545B/SS	420	2	50

- Hinge with friction torque for holding monitors, displays etc. in desired position.
- Without friction torque available. (HG-ITSF, HG-ITMF)
- Optional cover available for clean appearance.
- Operating Temperature: -10°C~ 50°C (14F°~122F°)



Applicable torque range



Item No.	Cover For	Weight (g)	Box (pcs)	Carton (pcs)
HG-ITSC	HG-ITS, HG-ITSF	10	40	960
HG-ITMC	HG-ITM, HG-ITMF	18	20	480

Item No.	Torque per piece (kgf-cm)	Weight (g)	Box (pcs)	Carton (pcs)
HG-ITSF	Free Movement	48	10	80
HG-ITSF		125		

Item No.	Torque per piece (kgf-cm)	Weight (g)	Box (pcs)	Carton (pcs)
HG-ITS25	21.7 lbs-in (25 kgf-cm) ±20%	50	20	160
HG-ITS35	30.4 lbs-in (35 kgf-cm) ±20%			
HG-ITM50	43.4 lbs-in (50 kgf-cm) ±20%	130	10	80
HG-ITM70	60.8 lbs-in (70 kgf-cm) ±20%			

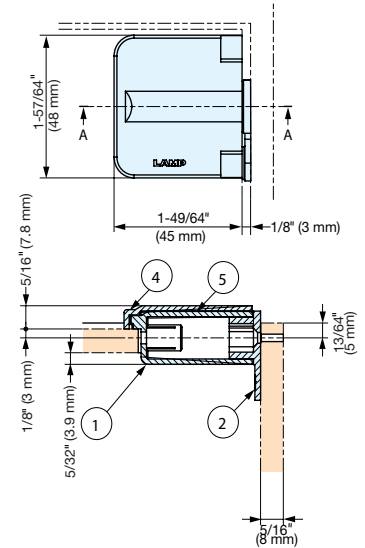
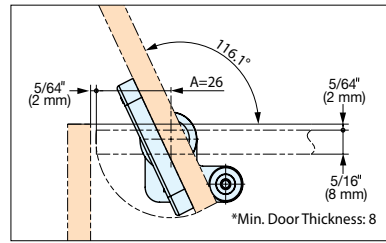
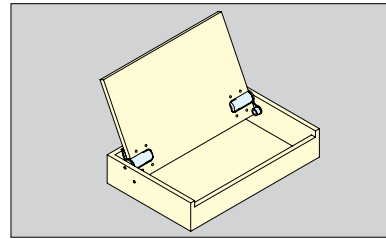
Part Name	Material	Finish
Body	304 Stainless Steel	Polished
Shaft	303 Stainless Steel	Plain
Washer	Phosphor Bronze	Polished
Spring Washer	Steel	Nickel
Cover	ABS	Silver

# SOFT-CLOSE DAMPENING HINGE



# HG-JHM14

- Hinge with built-in damper to keep lid from slamming shut.
- Mortise mount type.



Hinges

Item No.	Color	Torque per piece	Weight (g)	Box (pcs)	Carton (pcs)
HG-JHM14-S-8BL	Black	4.3~7 lbs·in (5~8 kgf·cm)	51	20	220
HG-JHM14-S-8WT	White				
HG-JHM14-S-15BL	Black	7.0~13 lbs·in (8~15 kgf·cm)			
HG-JHM14-S-15WT	White				
HG-JHM14-S-20BL	Black	13.0~17 lbs·in (15~20 kgf·cm)			
HG-JHM14-S-20WT	White				

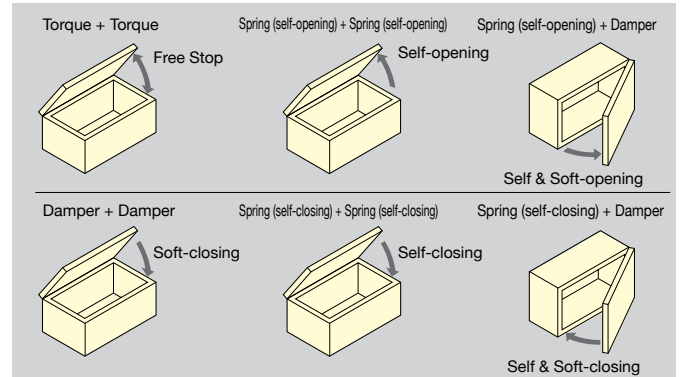
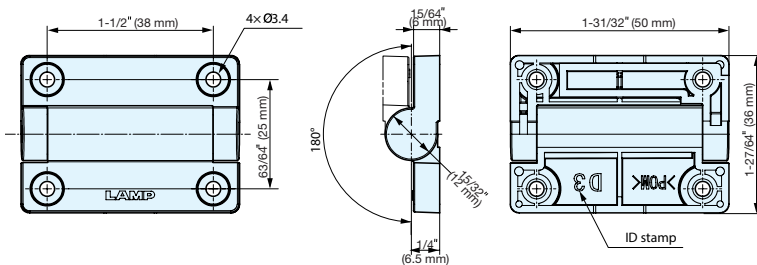
No.	Part Name	Material	Finish
①	Bracket	Polyacetal	Black /White
②	Mounting Plate R	PBT plastic	
③	Mounting Plate L		
④	Face Plate	ABS plastic	
⑤	Damper	304 Stainless Steel	

# COMBINATION HINGE



# HG-VH8

- Hinges for light weight lids, flaps and doors.
- Various motions in same hinge case.
- Flexible combination.



Item No.	ID Stamp	Feature	Torque per piece	Opening angle	Material
HG-VH8-D3-BL	D3	Soft-Closing Damper	0.19 ~ 0.34 lbs·in (0.22~0.39 kgf·cm)	270°	Polyacetal
HG-VH8-D3-WT					

\*Increase of 0.16 kgf.cm for every 30° of rotation. Maximum rotation of 120°

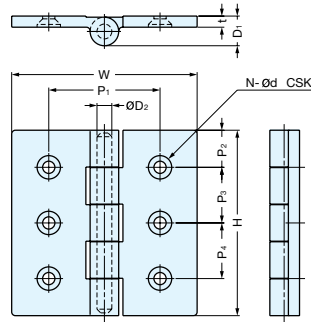


# BUTT HINGE



LSF

Hinges



- 316 Stainless Steel construction ideal for harsh and highly corrosive environments.

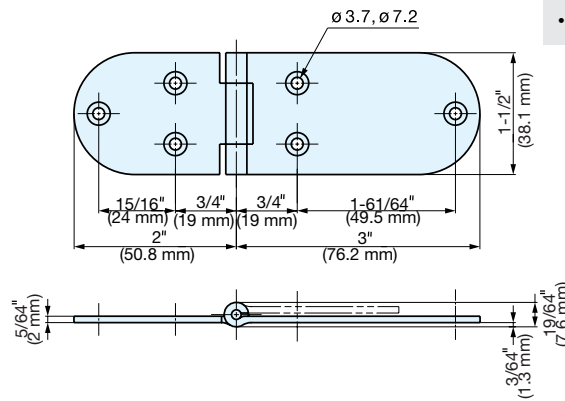
Material	Finish
316 Stainless Steel	Polished

Item No.	H	W	P <sub>1</sub>	P <sub>2</sub>	P <sub>3</sub>	P <sub>4</sub>	t	D <sub>1</sub>	ØD <sub>2</sub>	Knuckles	N	D	Weight (g)	Box (pcs)	Carton (pcs)		
LSF-50	1-31/32" (50)	1-31/32" (50)	1-3/8" (35)	19/32" (15)	25/32" (20)	-	13/64" (5)	35/64" (14)	15/64" (6)	3	4	Ø4.4, Ø8.6	110	20	100		
LSF-65	2-9/16" (65)	2-9/16" (65)	1-37/64" (40)		1-3/8" (35)	-									80		
LSF-75	2-61/64" (75)	2-61/64" (75)	1-31/32" (50)	11/16" (17.5)	1-37/64" (40)	-	15/64" (6)	5/8" (16)	5/16" (8)			5	6	Ø6.6, Ø12.6	305	10	50
LSF-100	3-15/16" (100)	3-15/16" (100)	2-23/64" (60)	25/32" (20)	1-3/16" (30)	1-3/16" (30)											30

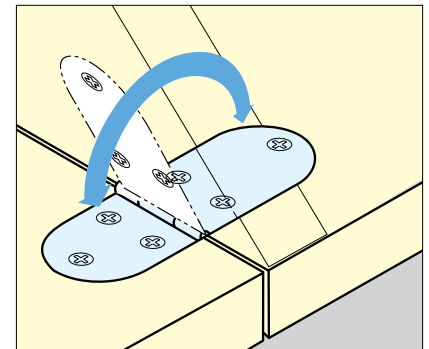
# TABLETOP HINGE



MA-5



- Door Size Max: W17-3/4" × H27-9/16" × t53/64" (W450 × H700 × t21 mm)
- Door Weight: Max. 8.8 lbs/pair (4 kg/pair)



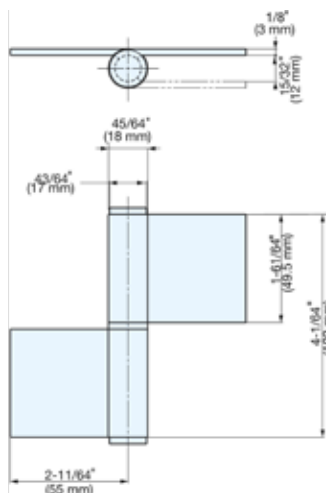
Item No.	Weight (g)	Box (pcs)	Carton (pcs)
MA-5	74	20	200

Material	Finish
304 Stainless Steel	Mirror

# LIFT-OFF HINGE (WELD-ON)



S-6166-2



- Weld-on type stainless steel lift-off hinge.
- Handed: Specific left and right hand mounting.
- Door weight: Max. 88 lbs/pair (40 kg/pair)

Material	Finish
304 Stainless Steel	Satin

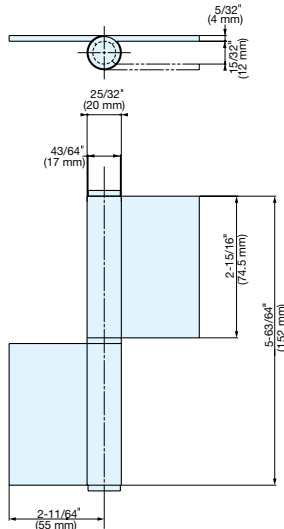
Item No.		Weight (g)	Box (pcs)	Carton (pcs)
Left	Right			
S-6166-2-L	S-6166-2-R	300	12	60

# LIFT-OFF HINGE (WELD-ON)



S-6166-6

- Weld-on type stainless steel lift-off hinge.
- Handed: Specific left and right hand mounting.
- Door weight: Max. 198 lbs/pair (90 kg/pair)



Material	Finish
304 Stainless Steel	Satin

Item No.		Weight (g)	Box (pcs)	Carton (pcs)
Left	Right			
S-6166-6-L	S-6166-6-R	570	8	40

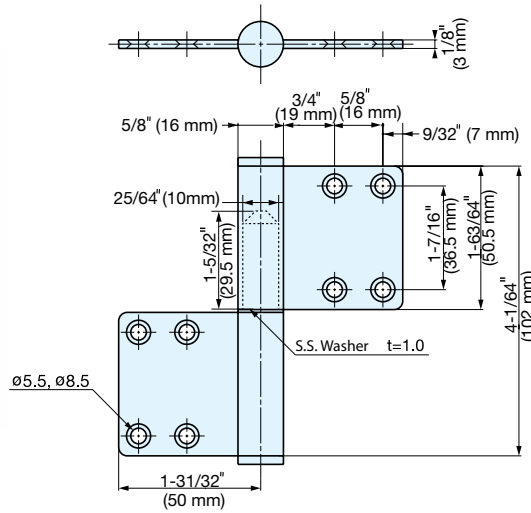
Hinges

# LIFT-OFF HINGE



S-6173-2

- Screw hole is countersunk from both sides.
- Non-Handed: Can be installed on left or right side.
- Door weight: Max. 40 kg/pair (88 lbs/pair)



Material	Finish
304 Stainless Steel	Satin

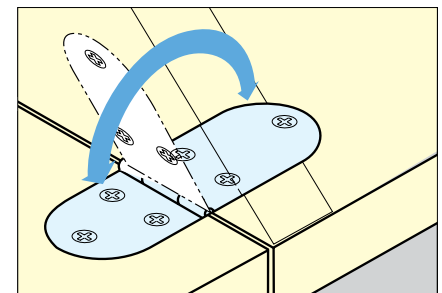
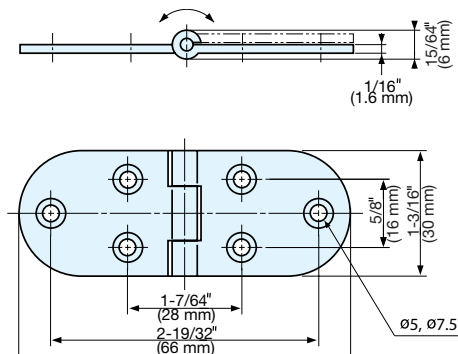
Item No.	Weight (g)	Box (pcs)	Carton (pcs)
S-6173-2	240	12	60

# TABLETOP HINGE



SMH-83

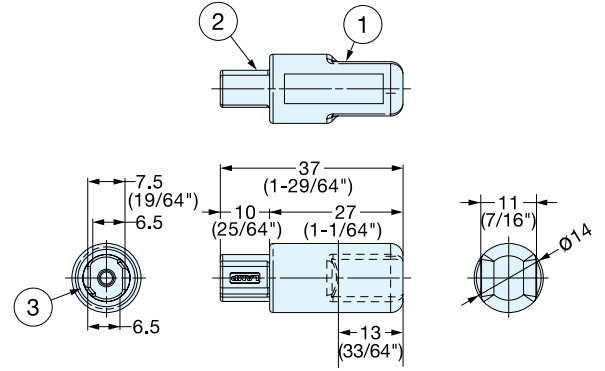
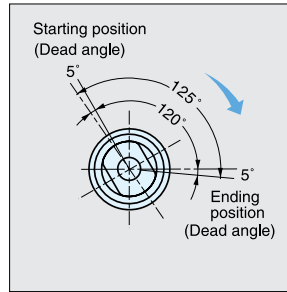
- Door Size: Max. W450 × H700 × t21 mm (W17-3/4" × H27-9/16" × t53/64")
- Door Weight: Max. 4 kg/pair (8.8 lbs/pair)
- Only SMH-83/S is NSF certified.



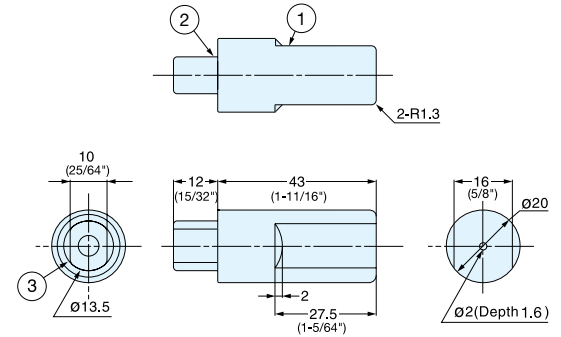
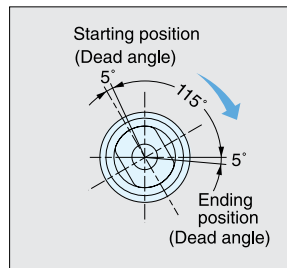
Item No.	Weight (g)	Box (pcs)	Carton (pcs)
SMH-83/S	28	100	1000
SMH-83/CR (non NSF)	31		

Material	Finish
304 Stainless Steel	Satin (S)
Steel	Chrome (CR)

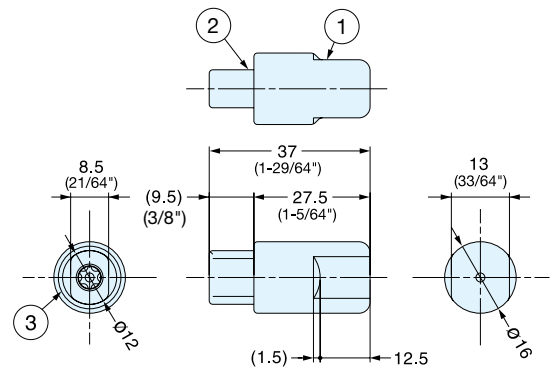
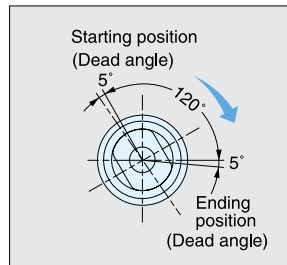
UDH-14 Type



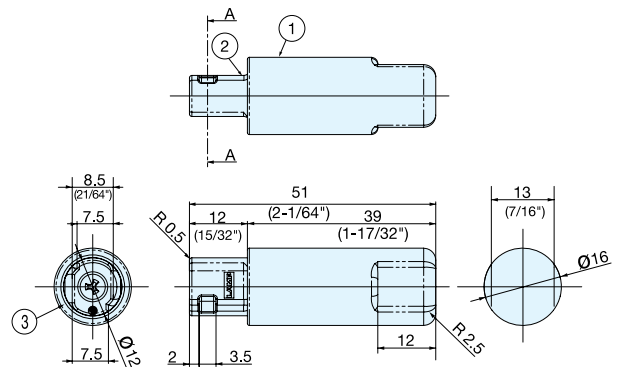
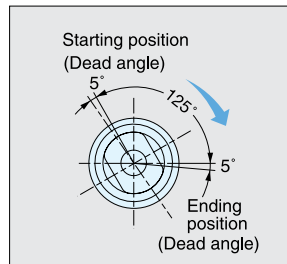
UDH Type



UDH-16 Type



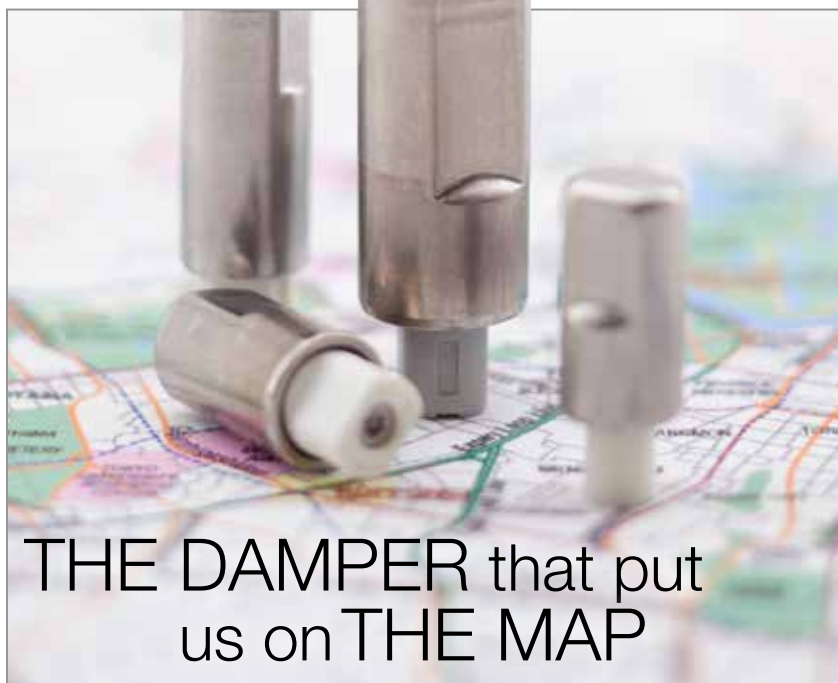
UDH-16N Type



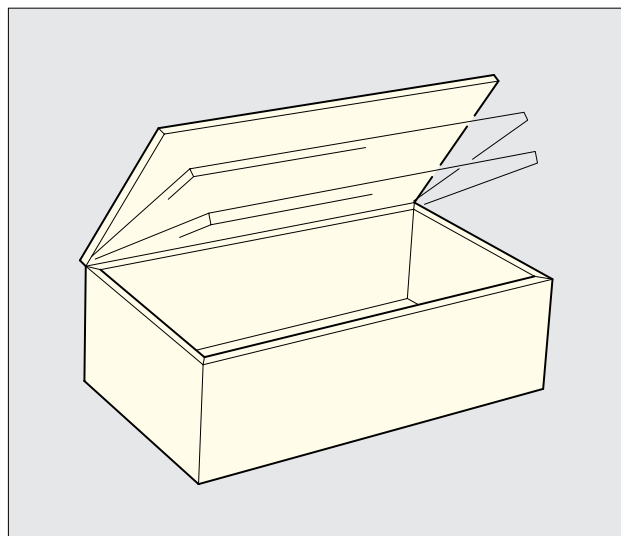
## TORQUE DAMPER



UDH



- Keeps lids/doors from slamming shut.
- Patented technology that allows a small design to produce high torque and wider dampening angles.
- Stainless steel body keeps dampening torque stable and consistent.
- Ensures high durability and ideal for corrosive environments.
- Cycle tested at 70,000 for natural closing and 13,000 forced closing.



## UDH-14 Type

No.	Part Name	Material	Finish/Color
①	Body	304 Stainless Steel	Plain
②	Shaft	PBT Plastic	A-White, B-Grey
③	Cover Ring		-

## UDH Type

No.	Part Name	Material	Finish/Color
①	Body	304 Stainless Steel	Plain
②	Shaft	PBT Plastic	A-White, B-Grey
③	Cover Ring	304 Stainless Steel	-

## UDH-16N Type

No.	Part Name	Material	Finish/Color
①	Body	304 Stainless Steel	Plain
②	Shaft	PBT Plastic	A-White B-Grey
③	Cover Ring	PPS Plastic	-

## UDH-16 Type

No.	Part Name	Material	Finish/Color
①	Body	304 Stainless Steel	Plain
②	Shaft	PBT Plastic	A-White B-Grey
③	Cover Ring		-

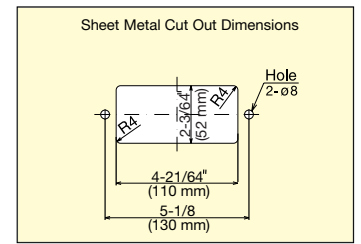
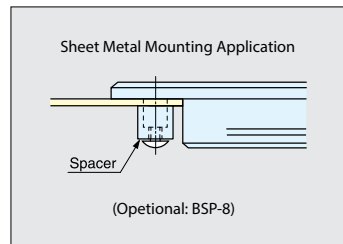
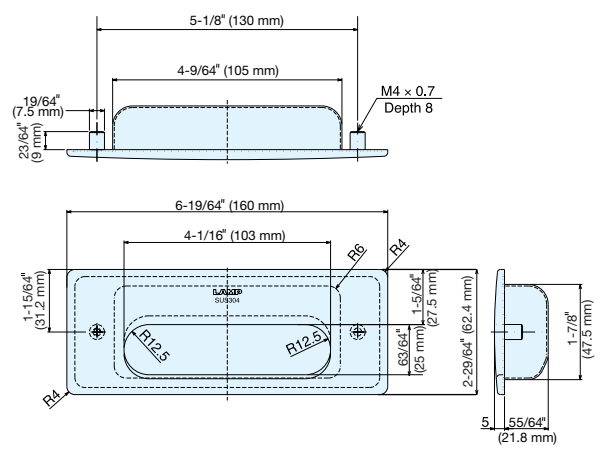
Item No.	Torque per piece	Dampening Direction	Color Mark	Weight (g)	Carton(pcs)		
UDH-14ALS	4.4~7.1 lbs-in (5.1~8.2 kgf-cm)	Counter Clockwise	Purple	10	400		
UDH-14BLS		Clockwise					
UDH-14AMS	7.0~13.0 lbs-in (8.2~15.3 kgf-cm)	Counter Clockwise	Blue				
UDH-14BMS		Clockwise					
UDH-14AHS	13.0~22.0 lbs-in (15.3~25.5 kgf-cm)	Counter Clockwise	Red				
UDH-14BHS		Clockwise					
UDH-AMS	13.0~21.0 lbs-in (15.0~25.0 kgf-cm)	Counter Clockwise	Blue	38	200		
UDH-BMS		Clockwise					
UDH-AHS	21.0~30.0 lbs-in (25.0~35.0 kgf-cm)	Counter Clockwise	Red				
UDH-BHS		Clockwise					
UDH-AGS	30.0~34.0 lbs-in (35.0~40.0 kgf-cm)	Counter Clockwise	Yellow				
UDH-BGS		Clockwise					
UDH-16AMS	8.8~15.0 lbs-in (10.2~17.3 kgf-cm)	Counter Clockwise	Green	16	200		
UDH-16BMS		Clockwise					
UDH-16AHS	15.0~22.0 lbs-in (17.3~25.5 kgf-cm)	Counter Clockwise	Black				
UDH-16BHS		Clockwise					
UDH-16N AMS	15.0~21.2 lbs-in (17.3~24.5 kgf-cm)	Counter Clockwise	Blue			20	200
UDH-16N BMS		Clockwise					
UDH-16N AHS	19.4~26.6 lbs-in (22.4~30.6 kgf-cm)	Counter Clockwise	Red				
UDH-16N BHS		Clockwise					



RECESSED PULL HH-KL160



- Compliant with SEMI S8-0600 guideline.
- Spacer for sheet metal application sold separately.



Material	Finish
304 Stainless Steel	Satin

Item No.	Weight (g)	Box (pcs)	Carton (pcs)
HH-KL160	260	8	48

# RECESSED PULL



ES

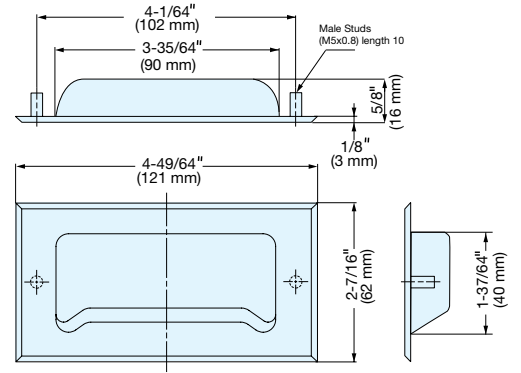
Handles & Pulls



**ET**  
(Male Studs/Copper)  
\* ES-611/ET: Male studs/  
Copper M5x0.8 Length 10

**IT**  
(M4 Female Studs/Copper  
with M4x25 Steel screws)  
\* ES-611/IT: Female studs/  
Copper M4x0.7 Depth 6

**WO**  
(Weld-on)



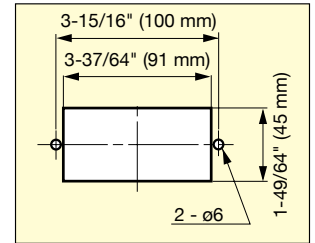
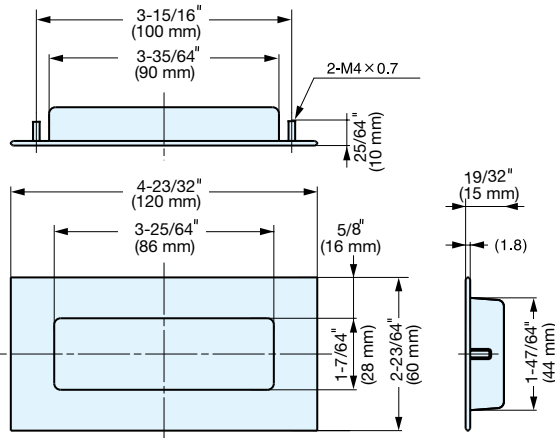
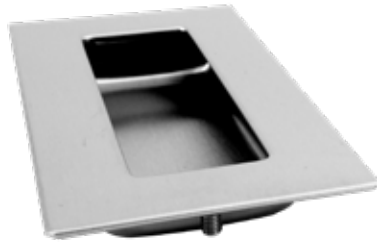
Item No.	Weight (g)	Box (pcs)	Carton (pcs)
ES-611/ET	68	20	200
ES-611/IT	60		
ES-611/WO			

Material	Finish
304 Stainless Steel	Satin

# RECESSED PULL



HH-AS2



Cut Out Dimensions

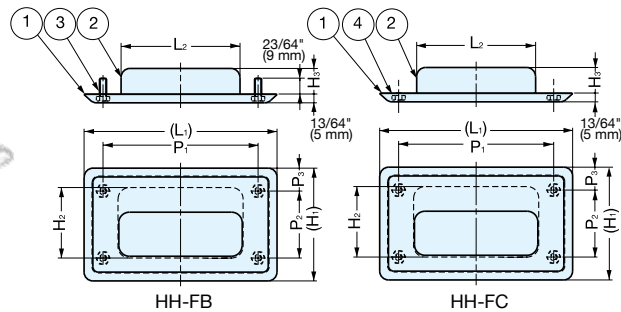
Item No.	Weight (g)	Box (pcs)	Carton (pcs)
HH-AS2	50	12	240

Material	Finish
304 Stainless Steel	Satin

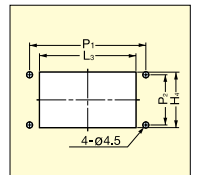
# RECESSED PULL



HH-FB, HH-FC



Sheetmetal Cut Out Dimensions



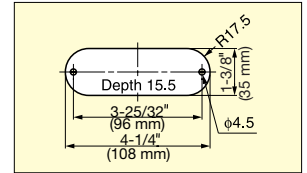
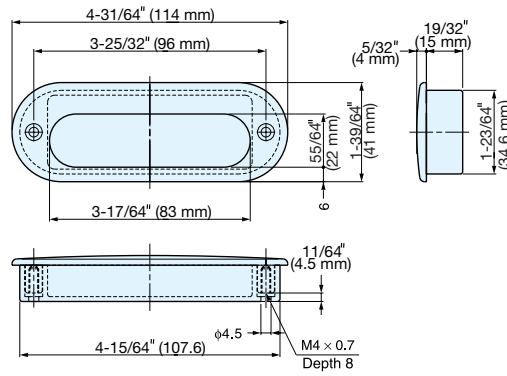
No.	Part Name	Material	Finish
①	Front Plate	304 Stainless Steel	Mirror (M)/ Satin (S)
②	Back Cover		
③	M4 Stud		
④	M4 Nut		

Item No.	Stud/Nut	(L1)	L2	L3	(H1)	H2	H3	H4	P1	P2	(P3)	Wt (g)	
HH-FB-1/M	HH-FB-1/S	M4 Stud	5-7/16" (138 mm)	3-25/32" (96 mm)	3-47/64" (95 mm)	3-15/32" (88 mm)	2-7/16" (62 mm)	53/64" (21 mm)	2-33/64" (64 mm)	4-21/64" (110 mm)	2-9/16" (65 mm)	29/64" (11.5 mm)	170
HH-FC-1/M	HH-FC-1/S	M4 Nut											
HH-FB-2/M	HH-FB-2/S	M4 Stud	4-5/16" (109.5 mm)	2-51/64" (71 mm)	2-3/4" (70 mm)	2-33/64" (64 mm)	1-32/64" (40 mm)	37/64" (14.5 mm)	1-21/32" (42 mm)	3-15/32" (88 mm)	1-1/2" (38 mm)	33/64" (13 mm)	100
HH-FC-2/M	HH-FC-2/S	M4 Nut											
HH-FB-3/M	HH-FB-3/S	M4 Stud	3-45/64" (94 mm)	2-13/32" (61 mm)	2-31/64" (63 mm)	2-23/64" (60 mm)	1-11/16" (43 mm)	15/32" (12 mm)	1-49/64" (45 mm)	2-63/64" (76 mm)	1-17/64" (32 mm)	35/64" (14 mm)	80
HH-FC-3/M	HH-FC-3/S	M4 Nut											

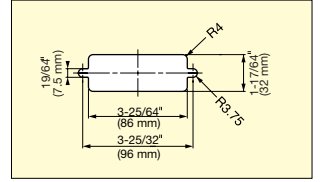
# RECESSED PULL



HH-D



Panel Cut Out Dimensions



Cut Out Dimensions for sheet metal. Put sheet metal between front and back part for sheet metal applications. (Max. sheet metal thickness: 2 mm)

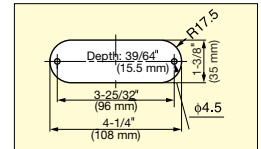
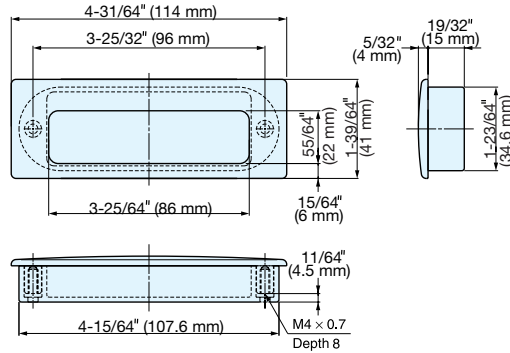
Item No.	Weight (g)	Box (pcs)	Carton (pcs)
HH-D	85	10	60

Material	Finish/Color
316 Stainless Steel	Mirror
ABS	Black

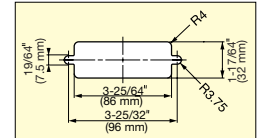
# RECESSED PULL



HH-K



Panel Cut Out Dimensions



Sheetmetal Cut Out Dimensions. Put sheet metal between front and back part for sheet metal applications. (Max. sheet metal thickness: 2 mm)

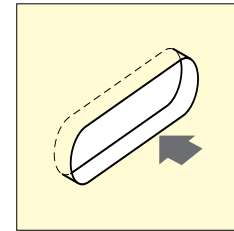
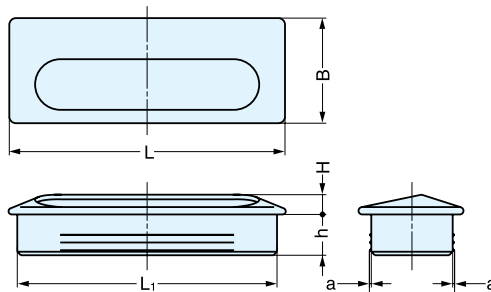
Item No.	Weight (g)	Box (pcs)	Carton (pcs)
HH-K	90	10	60

Material	Finish/Color
316 Stainless Steel	Mirror
ABS	Black

# RECESSED PULL



UT



Panel Installation

Material	Finish/Color
304 Stainless Steel	Satin (S)
Brass (UT-105/PB only)	Brass (PB)/(UT-105/PB)
Plastic	Black

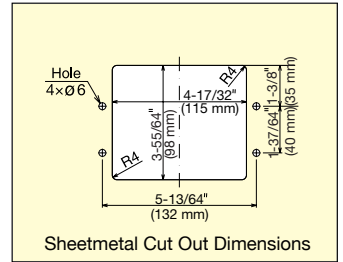
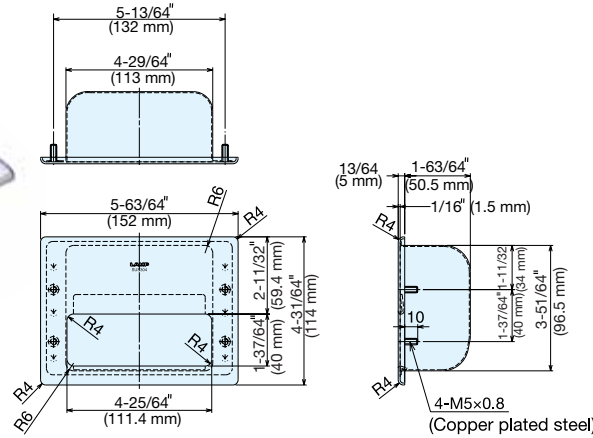
Item No.	L	L <sub>1</sub>	H	h	B	B <sub>1</sub>	a	Weight (g)	Box (pcs)	Carton (pcs)
UT-75/S	2-61/64" (75 mm)	2-51/64" (71 mm)	9/32" (7 mm)	39/64" (15.5 mm)	1-27/64" (36 mm)	1-7/32" (30.8 mm)	1/64" (0.4)	15	40	400
UT-105/S-1	4-1/8" (105 mm)	3-57/64" (99 mm)	19/64" (7.5 mm)		1-37/64" (40 mm)	1-9/32" (32.5 mm)	1/64" (0.5)	30	25	250
UT-140/S	5-33/64" (140 mm)	5-9/32" (134 mm)			1-27/32" (47 mm)	1-19/32" (40.5 mm)		45	15	150
UT-105/PB	4-1/8" (105 mm)	3-57/64" (99 mm)			1-37/64" (40 mm)	1-9/32" (32.5 mm)		30	25	250

# RECESSED PULL



# HH-KP150

• Compliant with SEMI S8-0600 guideline.



Material		Finish	
304 Stainless Steel		Satin	
Item No.	Weight (g)	Box (pcs)	Carton (pcs)
HH-KP150	390	5	50

Handles & Pulls

# PULL



# SN

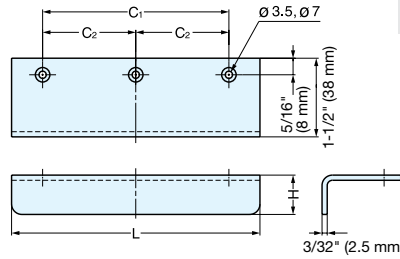


SN-150/M

SN-95/BL



SN-50/S



• Available in 3 finishes. Please specify finish when ordering.

Material		Finish	
304 Stainless Steel		Mirror (M) Satin (S) Black (BL)	

Item No.	L	C1	C2	H	Holes	Wt (g)	Box (pcs)	Carton (pcs)	
SN-50/M	SN-50/S	SN-50/BL	1-31/32" (50 mm)	1-3/16" (30 mm)	-	11/16" (18 mm)	47	40	400
SN-70/M	SN-70/S	SN-70/BL	2-3/4" (70 mm)	1-13/16" (46 mm)	-		65	30	300
SN-95/M	SN-95/S	SN-95/BL	3-47/64" (95 mm)	2-9/16" (65 mm)	-		90	20	200
SN-120/M	SN-120/S	-	4-23/32" (120 mm)	3-35/64" (90 mm)	1-49/64" (45 mm)	3	112	15	150
SN-150/M	SN-150/S	-	5-29/32" (150 mm)	4-31/64" (114 mm)	2-1/4" (57 mm)		147		
SN-200/M	SN-200/S	-	7-7/8" (200 mm)	4-13/32" (112 mm)	2-13/64" (56 mm)		200		
SN-300/M	SN-300/S	-	11-13/16" (300 mm)	7-3/32" (180 mm)	3-35/64" (90 mm)	4	300	10	40

# PULL



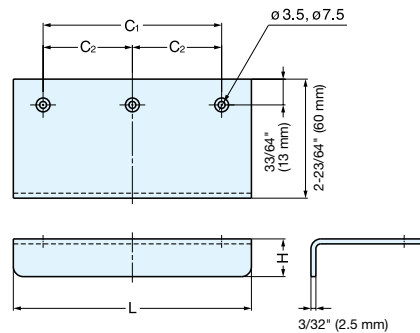
# SND



SND-120/M



SND-50/M



Material		Finish	
304 Stainless Steel		Mirror (M)	

Item No.	L	C1	C2	Hole	Weight (g)	Box (pcs)	Carton (pcs)
SND-50/M	1-31/32" (50 mm)	1-3/16" (30 mm)	-	2	47	40	400
SND-70/M	2-3/4" (70 mm)	1-13/16" (46 mm)	-		65	30	300
SND-95/M	3-47/64" (95 mm)	2-9/16" (65 mm)	-		90	20	200
SND-120/M	4-23/32" (120 mm)	3-35/64" (90 mm)	1-49/64" (45 mm)	3	112	15	150
SND-150/M	5-29/32" (150 mm)	4-31/64" (114 mm)	2-1/4" (57 mm)		147		



# RECESSED PULL



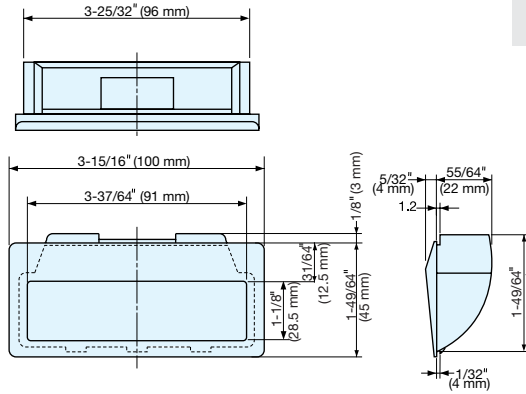
AT-100



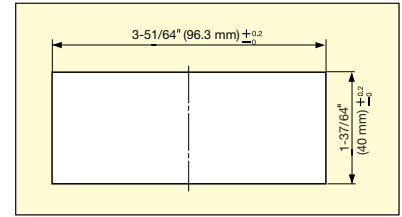
AT-100-B



AT-100-I



• Snap-in type recessed pull for sheet metal thickness 0.8mm.



Panel Cut Out Dimensions (thickness: 0.8mm)

Item No.	Weight (g)	Box (pcs)	Carton (pcs)
AT-100-I	23	50	250
AT-100-BR			
AT-100-B			

Material	Color
ABS	Ivory (I) Brown (BR) Black (B)

# RECESSED PULL



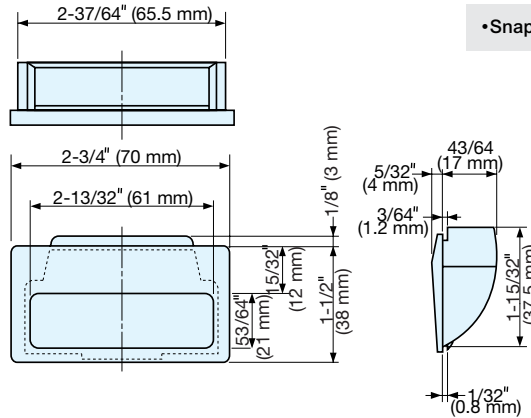
AT-70



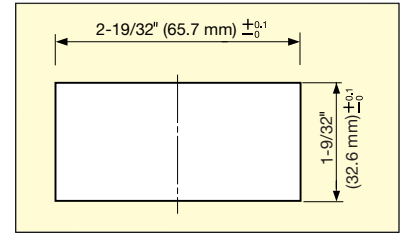
AT-70-B



AT-70-I



• Snap-in type recessed pull for sheet metal thickness 0.8mm.



Panel Cut Out Dimensions (thickness: 0.8mm)

Item No.	Weight (g)	Box (pcs)	Carton (pcs)
AT-70-I	12	100	550
AT-70-BR			
AT-70-B			

Material	Color
ABS	Ivory (I) Brown (BR) Black (B)

# RECESSED PULL



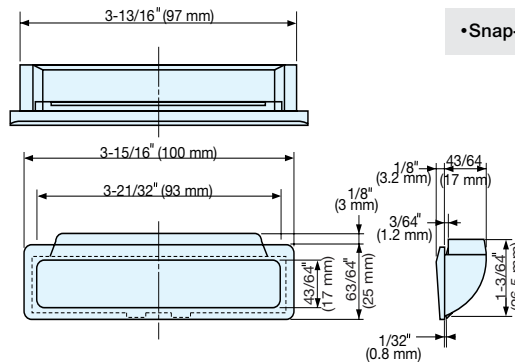
ATS-100



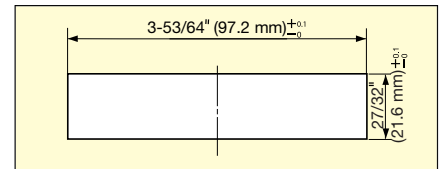
ATS-100-B



ATS-100-I



• Snap-in type recessed pull for sheet metal thickness 0.8mm.



Panel Cut Out Dimensions (thickness: 0.8mm)

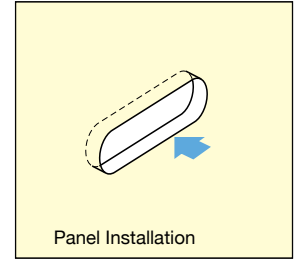
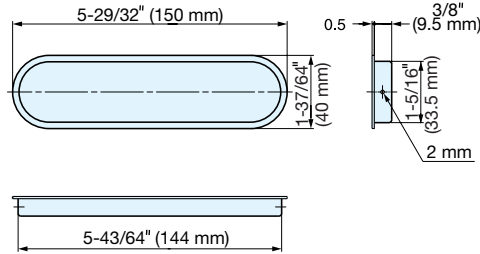
Item No.	Weight (g)	Box (pcs)	Carton (pcs)
ATS-100-I	12.5	100	550
ATS-100-BR			
ATS-100-B			

Material	Color
ABS	Ivory (I) Brown (BR) Black (B)

# RECESSED PULL



OP-150



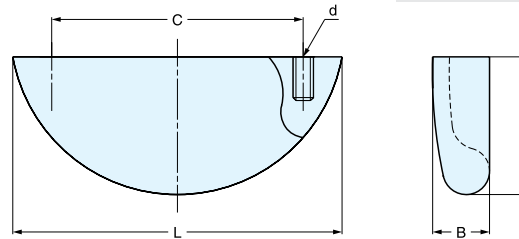
Handles & Pulls

Item No.	Weight (g)	Box (pcs)	Carton (pcs)	Material	Finish
OP-150	30	30	720	304 Stainless Steel	Satin

# PULL



RD



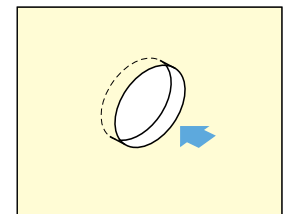
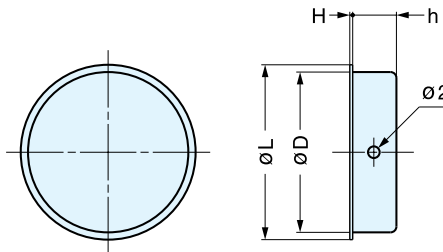
• Ideal for harsh and highly corrosive environments.

Item No.	L	C	H	B	d	Wt (g)	Box (pcs)	Carton (pcs)	Material	Finish
RD-55/SM	2-11/64" (55 mm)	1-21/32" (42 mm)	29/32" (23 mm)	3/8" (9.5 mm)	M4 x 0.7	50	30	360	316 Stainless Steel	Mirror
RD-90/SM	3-35/64" (90 mm)	2-29/32" (74 mm)	1-1/64" (25.5 mm)	13/32" (10.5 mm)		80	20	240		

# RECESSED PULL



RP

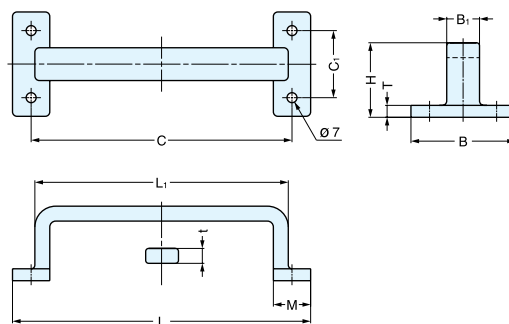


Item No.	L	H	h	D	Wt (g)	Box (pcs)	Carton (pcs)	Material	Finish
RP-30	1-3/16" (30 mm)	1/64" (0.5 mm)	19/64" (7.5 mm)	1-5/64" (27.5 mm)	4.0	100	3600	304 Stainless Steel	Satin
RP-37	1-27/64" (36 mm)		21/64" (8.5 mm)	1-15/64" (31.5 mm)	6.0				
RP-45	1-13/16" (46 mm)		1-39/64" (41 mm)	9.5					
RP-60	2-23/64" (60 mm)		3/8" (9.5 mm)	2-7/64" (53.5 mm)	15.0	50	1200		
RP-80	3-5/32" (80 mm)			2-51/64" (71 mm)	25.5	25	500		

# LARGE HANDLE



FT-200, 280



- Ideal for harsh and highly corrosive environments.
- High profile allows for easy gripping with gloved hand.

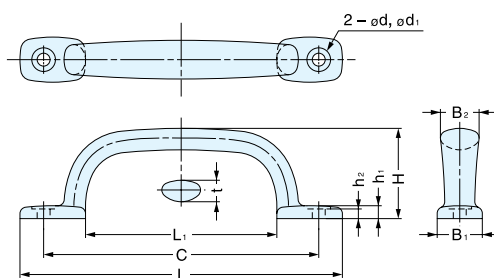
Material	Finish
316 Stainless Steel	Mirror

Item No.	L	L <sub>1</sub>	C	C <sub>1</sub>	B <sub>1</sub>	B	H	T	t	M	Weight (g)	Box (pcs)	Carton (pcs)
FT-200	7-7/8" (200 mm)	6-11/16" (170 mm)	6-57/64" (175 mm)	1-49/64" (45 mm)	55/64" (22 mm)	2-3/4" (70 mm)	1-31/32" (50 mm)	5/16" (8 mm)	25/64" (10 mm)	63/64" (25 mm)	586	1	20
FT-280	11-1/32" (280 mm)	9-27/32" (250 mm)	9-31/32" (253 mm)	2-11/64" (55 mm)	1-1/32" (26 mm)	3-5/32" (80 mm)	2-7/16" (62 mm)	25/64" (10 mm)	15/32" (12 mm)	1-1/16" (27 mm)	1088		10

# HANDLE



2LC



- Ideal for harsh and highly corrosive environments.

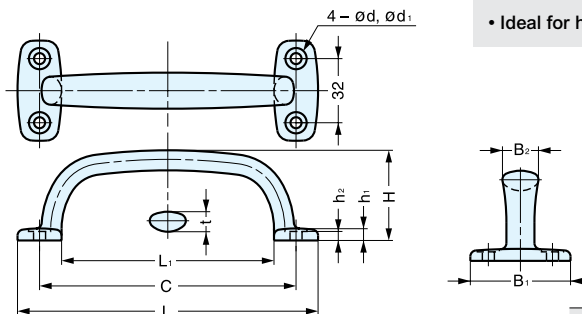
Material	Finish
316 Stainless Steel	Mirror

Item No.	L	L <sub>1</sub>	C	B <sub>1</sub>	B <sub>2</sub>	H	h <sub>1</sub>	h <sub>2</sub>	t	d	d <sub>1</sub>	Weight (g)	Box (pcs)	Carton (pcs)	Screw
2LC-80	3-5/32" (80)	1-17/64" (32)	2-33/64" (64)	5/8" (16)	35/64" (14)	1-3/8" (35)	7/32" (5.5)	5/32" (4)	5/16" (8)	13/64" (5)	3/8" (9.5)	70	12	144	4 x 20
2LC-120	4-23/32" (120)	2-33/64" (64)	3-25/32" (96)	45/64" (18)	5/8" (16)	1-27/64" (36)		11/64" (4.5)	23/64" (9)						
2LC-150	5-29/32" (150)	3-1/2" (89)	5-1/32" (128)	53/64" (21)	45/64" (18)	1-42/64" (42)	15/64" (6)	25/64" (10)	15/64" (6)	7/16" (11)	172	6	72	5 x 32	
2LC-180	7-3/32" (180)	4-41/64" (118)	7-3/32" (160)	29/32" (23)	25/32" (20)	1-49/64" (45)	1/4" (6.5)				13/64" (5)	225	3		36

# HANDLE



4LC



- Ideal for harsh and highly corrosive environments.

Material	Finish
316 Stainless Steel	Mirror

Item No.	L	L <sub>1</sub>	C	B <sub>1</sub>	B <sub>2</sub>	H	h <sub>1</sub>	h <sub>2</sub>	t	d	d <sub>1</sub>	Weight (g)	Box (pcs)	Carton (pcs)	Screw
4LC-82	3-15/64" (82)	1-13/16" (46)	2-33/64" (64)	1-57/64" (48)	5/8" (16)	1-7/16" (36.5)	7/32" (5.5)	5/32" (4)	5/16" (8)	13/64" (5)	3/8" (9.5)	110	8	96	4 x 20
4LC-114	4-31/64" (114)	3-5/64" (78)	3-25/32" (96)	1-31/32" (50)		1-37/64" (40)		11/64" (4.5)	23/64" (9)						
4LC-150	5-29/32" (150)	4-11/64" (106)	5-1/32" (128)	1-31/32" (50)	45/64" (18)	1-49/64" (45)	15/64" (6)	25/64" (10)	15/64" (6)	7/16" (11)	210	3	36	5 x 32	
4LC-180	7-3/32" (180)	5-33/64" (140)	6-19/64" (160)	25/32" (20)	1-57/64" (48)	1/4" (6.5)	13/64" (5)				270	2	24		

# HANDLE

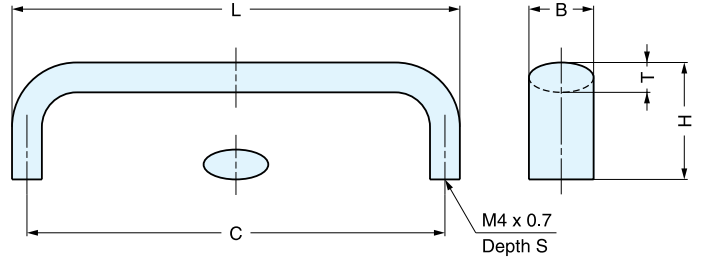


DL



Satin

Mirror



Material	Finish
303 Stainless Steel	Mirror (M)/Satin (S)

Item No.		L	C	H	B	T	S	Weight (g)	Box (pcs)	Carton (pcs)
DL-70/M	DL-70/S	2-3/4" (70 mm)	2-33/64" (64 mm)	29/32" (23 mm)	33/64" (13 mm)	15/64" (6 mm)	25/64" (10 mm)	44	20	200
DL-90/M	DL-90/S	3-35/64" (90 mm)	3-5/16" (84 mm)	59/64" (23.5 mm)				55		
DL-110/M	DL-110/S	4-21/64" (110 mm)	4-3/32" (104 mm)	61/64" (24 mm)				65		
DL-130/M	DL-130/S	5-1/8" (130 mm)	4-7/8" (124 mm)	31/32" (24.5 mm)				75		
DL-150/M	DL-150/S	5-29/32" (150 mm)	5-43/64" (144 mm)	63/64" (25 mm)				86		

# HANDLE

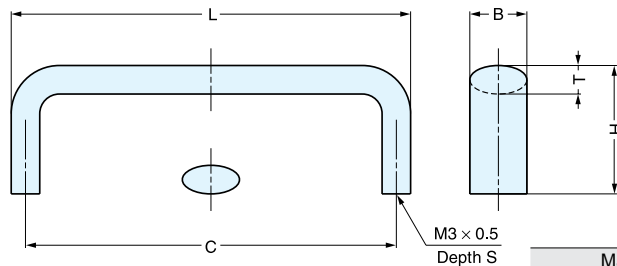


DS



DS-90/M

DS-30/S



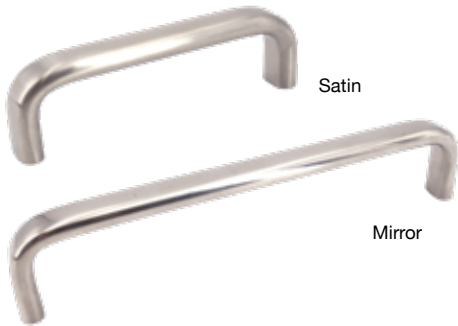
Material	Finish
303 Stainless Steel	Mirror (M)/Satin (S)

Item No.		L	C	H	B	T	S	Weight (g)	Box (pcs)	Carton (pcs)
DS-30/M	DS-30/S	1-3/16" (30 mm)	63/64" (25 mm)	29/32" (23 mm)	25/64" (10 mm)	13/64" (5 mm)	5/16" (8 mm)	15	40	400
DS-50/M	DS-50/S	1-31/32" (50 mm)	1-25/32" (45 mm)	7/8" (22 mm)			22			
DS-70/M	DS-70/S	2-3/4" (70 mm)	2-9/16" (65 mm)	57/64" (22.5 mm)			28			
DS-90/M	DS-90/S	3-35/64" (90 mm)	3-11/32" (85 mm)	29/32" (23 mm)			35			

# HANDLE

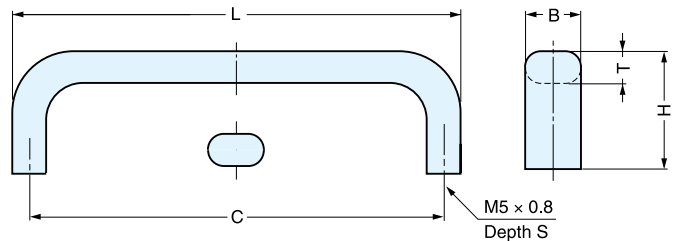


EC



Satin

Mirror



Material	Finish
303 Stainless Steel	Mirror (M)/Satin (S)

Item No.		L	C	H	B	T	S	Weight (g)	Box (pcs)	Carton (pcs)
EC-100/M	EC-100/S	3-15/16" (100 mm)	3-5/8" (92 mm)	1-17/64" (32 mm)	35/64" (14 mm)	5/16" (8 mm)	25/64" (10 mm)	102	15	150
EC-120/M	EC-120/S	4-23/32" (120 mm)	4-13/32" (112 mm)	1-11/32" (34 mm)			120			
EC-150/M	EC-150/S	5-29/32" (150 mm)	5-19/32" (142 mm)	1-27/64" (36 mm)			148			
EC-180/M	EC-180/S	7-3/32" (180 mm)	6-25/32" (172 mm)	1-29/64" (37 mm)			174			



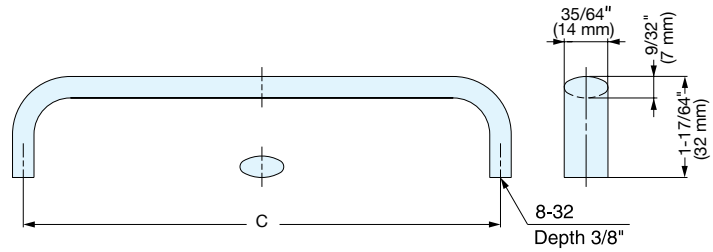
HANDLE



EK-S



• Ideal for harsh and highly corrosive environments.



Item No.		C	Weight (g)	Box (pcs)	Carton (pcs)
EK-S635/M	EK-S635/S	3-1/2" (88.9 mm)	90	20	200
EK-S640/M	EK-S640/S	4" (101.6 mm)	91		
EK-S650/M	EK-S650/S	5" (127 mm)	113		
EK-S660/M	EK-S660/S	6" (152.4 mm)	122		

Material	Finish
316 Stainless Steel	Mirror

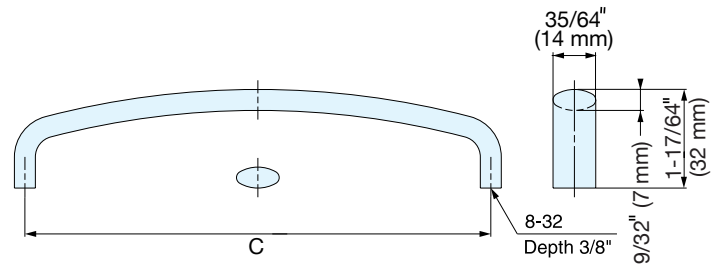
HANDLE



EK-R



• Ideal for harsh and highly corrosive environments.



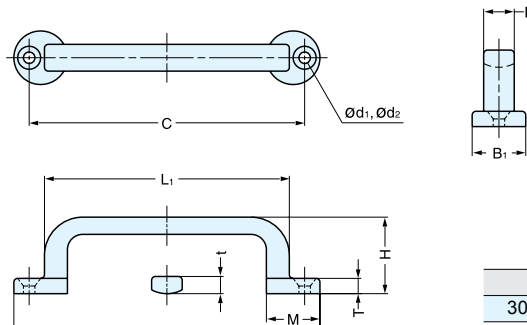
Item No.		C	Weight (g)	Box (pcs)	Carton (pcs)
EK-R635/M	EK-R635/S	3-1/2" (88.9 mm)	95	20	200
EK-R640/M	EK-R640/S	4" (101.6 mm)	106		
EK-R650/M	EK-R650/S	5" (127 mm)	123		
EK-R660/M	EK-R660/S	6" (152.4 mm)	141		

Material	Finish
316 Stainless Steel	Mirror

HANDLE



FT-65, 80, 100



Material	Finish
304 Stainless Steel	Mirror

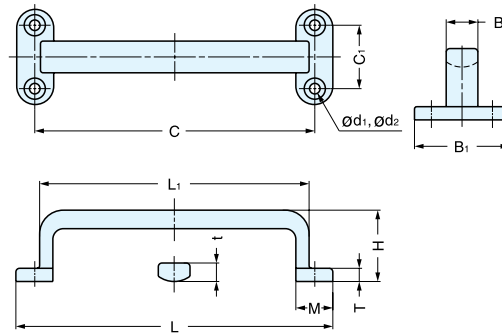
Item No.	L	L <sub>1</sub>	C	B <sub>1</sub>	B <sub>2</sub>	H	T	t	M	d <sub>1</sub>	d <sub>2</sub>	Weight (g)	Box (pcs)	Carton (pcs)	Screw
FT-65	2-9/16" (65 mm)	1-27/32" (47 mm)	2-1/4" (57 mm)	33/64" (13 mm)	9/32" (7 mm)	5/8" (16 mm)	9/64" (3.5 mm)	5/32" (4 mm)	33/64" (13 mm)	1/8" (3.3 mm)	1/4" (6.4 mm)	19	40	480	3.1x16
FT-80	3-5/32" (80 mm)	2-13/32" (61 mm)	2-27/32" (72 mm)	35/64" (14 mm)	5/16" (8 mm)	25/32" (20 mm)	5/32" (4 mm)	11/64" (4.5 mm)	35/64" (14 mm)		1/4" (6.4 mm)	32	30	360	
FT-100	3-15/16" (100 mm)	2-61/64" (75 mm)	3-15/32" (88 mm)	45/64" (18 mm)	25/64" (10 mm)	63/64" (25 mm)	13/64" (5 mm)	7/32" (5.5 mm)	45/64" (18 mm)	5/32" (4.1 mm)	5/16" (8 mm)	58	20	240	3.8x20

# HANDLE



FT-120, 150

Handles & Pulls



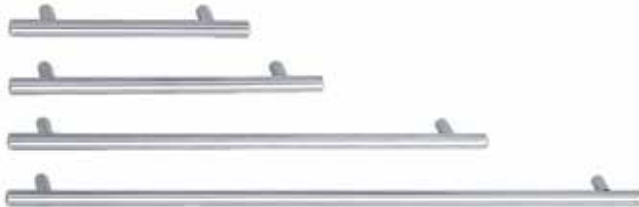
Material	Finish
304 Stainless Steel	Mirror

Item No.	L	L <sub>1</sub>	C	C <sub>1</sub>	B <sub>1</sub>	B <sub>2</sub>	H	T	t	M	d <sub>1</sub>	d <sub>2</sub>	Weight (g)	Box (pcs)	Carton (pcs)	Screw
FT-120	4-23/32" (120 mm)	4-1/64" (102 mm)	4-11/64" (106 mm)	15/16" (24 mm)	1-27/64" (36 mm)	15/32" (12 mm)	1-1/16" (27 mm)	13/64" (5 mm)	9/32" (7 mm)	35/64" (14 mm)	5/32" (4.1 mm)	5/16" (8 mm)	105	10	120	3.8 x 20
FT-150	5-29/32" (150 mm)	5-5/64" (129 mm)	5-3/16" (132 mm)	1-3/16" (30 mm)	1-49/64" (45 mm)	19/32" (15 mm)	1-19/64" (33 mm)	15/64" (6 mm)	5/16" (8 mm)	45/64" (18 mm)	13/64" (5.3 mm)	13/32" (10.4 mm)	191	5	40	5.1 x 25

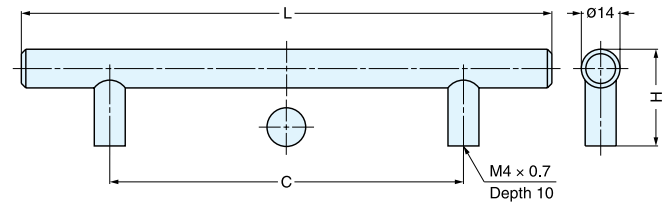
# HANDLE



26 SERIES



• Handles 2647 through 2659 are NSF approved handles.



Item No.	L	C	H	Weight (g)	Box (pcs)	Carton (pcs)
2646	6-19/64" (160 mm)	3-25/32" (96 mm)	1-3/8" (35 mm)	107	25	250
2647	7-9/16" (192 mm)	5-1/32" (128 mm)		113		
2650	10-5/64" (256 mm)	7-9/16" (192 mm)		136		
2653	15-63/64" (406 mm)	13-15/32" (342 mm)		187		
2655	21-57/64" (556 mm)	19-3/8" (492 mm)		216		
2656	25-53/64" (656 mm)	23-5/16" (592 mm)		324		
2658*	48-1/32" (1220 mm)	45-33/64" (1156 mm)		547		
2659*	57-21/64" (1456 mm)	54-13/16" (1392 mm)		570		

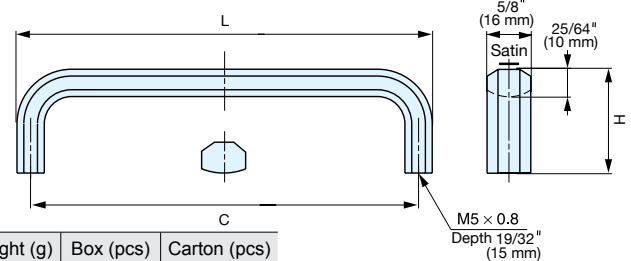
\*2658 and 2659 has center post in the middle.

Material	Finish
304 Stainless Steel	Satin

# HANDLE



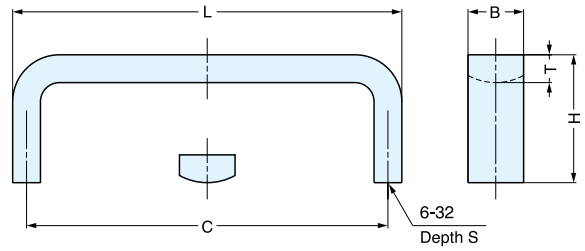
XL-CU



Item No.	L	C	H	Weight (g)	Box (pcs)	Carton (pcs)
XL-CU 80TT	3-15/64" (82 mm)	2-27/32" (72 mm)	1-17/64" (32 mm)	112	10	100
XL-CU100TT	4-1/64" (102 mm)	3-5/8" (92 mm)	1-11/32" (34 mm)	136		
XL-CU120TT	4-51/64" (122 mm)	4-13/32" (112 mm)	1-27/64" (36 mm)	163		
XL-CU150TT	5-63/64" (152 mm)	5-19/32" (142 mm)	1-1/2" (38 mm)	200	8	80
XL-CU180TT	7-11/64" (182 mm)	6-25/32" (172 mm)	1-37/64" (40 mm)	234		
XL-CU220TT	8-47/64" (222 mm)	8-11/32" (212 mm)	1-42/64" (42 mm)	282		
XL-CU300TT	11-57/64" (302 mm)	11-1/2" (292 mm)	1-47/64" (44 mm)	372		

Material	Finish
303 Stainless Steel	Mirror and Satin Combination

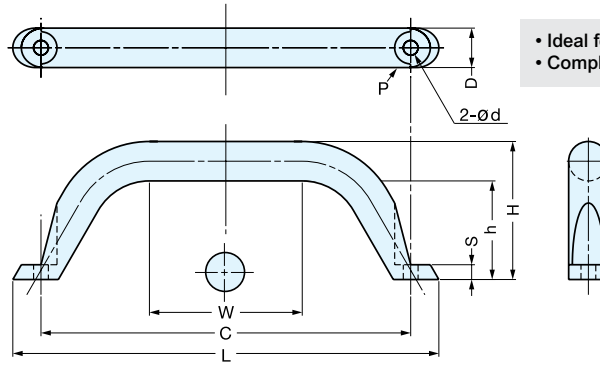
HANDLE



Material	Finish
304 Stainless Steel	Mirror (M)/Satin (S)

Item No.	L	C	H	B	T	S	Weight (g)	Box (pcs)	Carton (pcs)	
KS-430/M	KS-430/S	3-3/16" (81 mm)	3" (76 mm)	29/32" (23 mm)	25/64" (10 mm)	13/64" (5 mm)	23/64" (9 mm)	45	20	200
KS-435/M	KS-435/S	3-45/64" (94 mm)	3-1/2" (89 mm)							
KS-440/M	KS-440/S	4-11/64" (106 mm)	4" (102 mm)							

HANDLE

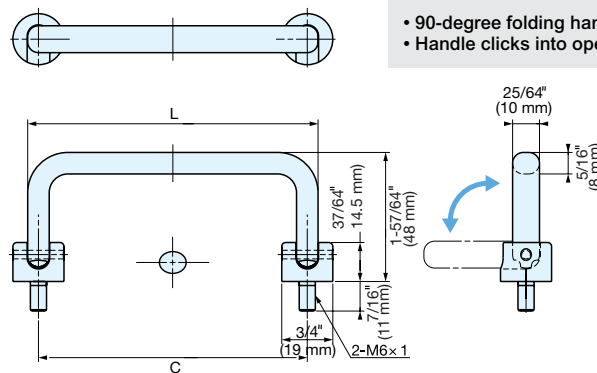


- Ideal for harsh and highly corrosive environments.
- Compliant with SEMI S8-0701 guideline.

Material	Finish
316 Stainless Steel	Mirror

Item No.	D	C	L	P	W	H	h	S	ød	Weight (g)	Box (pcs)	Carton (pcs)	Recommended Screw
MG-150	5/8" (16)	5-29/32" (150)	6-51/64" (172.8)	R6.5	2-7/16" (62)	2-13/64" (56)	1-37/64" (40)	15/64" (6)	15/64" (6)	295	10	40	M5
MG-190	45/64" (18)	7-31/64" (190)	8-17/32" (216.7)	R7.5	3-5/8" (92)	2-31/64" (63)	1-49/64" (45)	5/16" (8)	9/32" (7)	460	5	25	M6
MG-250		9-27/32" (250)	10-27/32" (275.5)		5-45/64" (145)	2-43/64" (68)	595						
MG-230T	25/32" (20)	9-1/16" (230)	10-15/64" (260)	R9.0	5-5/64" (129)	2-3/4" (70)	1-31/32" (50)	25/64" (10)	23/64" (9)	666	5	20	M8
MG-300T		11-13/16" (300)	12-63/64" (330)		7-53/64" (199)		838						

FOLDING HANDLE (STUD TYPE)



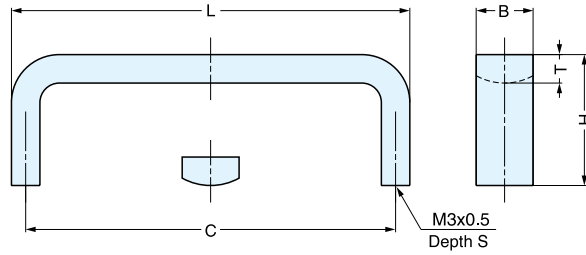
- 90-degree folding handle.
- Handle clicks into open and closed position.

Item No.	C	L	Load Capacity (kg)	Weight (g)	Box (pcs)	Carton (pcs)	Material	Finish
HK-80	3-5/32" (80 mm)	3-15/32" (88 mm)	50 (110 lbs)	125	10	100	304 Stainless Steel	Mirror
HK-100	3-15/16" (100 mm)	4-1/4" (108 mm)		136				
HK-120	4-23/32" (120 mm)	5-3/64" (128 mm)		146				

# HANDLE



KB



Material	Finish
303 Stainless Steel	Mirror (M)/Satin (S)

Item No.	L	C	H	B	T	S	Weight (g)	Box (pcs)	Carton (pcs)
KB-30/M	1-3/16" (30 mm)	63/64" (25 mm)	29/32" (23 mm)	25/64" (10 mm)	13/64" (5 mm)	5/16" (8 mm)	18	40	400
KB-50/M	1-31/32" (50 mm)	1-25/32" (45 mm)	7/8" (22 mm)			26			
KB-70/M	2-3/4" (70 mm)	2-9/16" (65 mm)	57/64" (22.5 mm)			33	30	300	
KB-90/M	3-35/64" (90 mm)	3-11/32" (85 mm)	29/32" (23 mm)			40	20	200	

Handles & Pulls

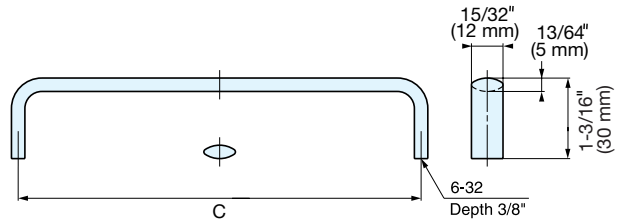
# HANDLE



KC-S



• Ideal for harsh and highly corrosive environments.



Item No.	C	Weight (g)	Box (pcs)	Carton (pcs)
KC-S635/M	KC-S635/S	3-1/2" (88.9 mm)	20	200
KC-S640/M	KC-S640/S	4" (101.6 mm)		
KC-S650/M	KC-S650/S	5" (127 mm)		
KC-S660/M	KC-S660/S	6" (152.4 mm)		

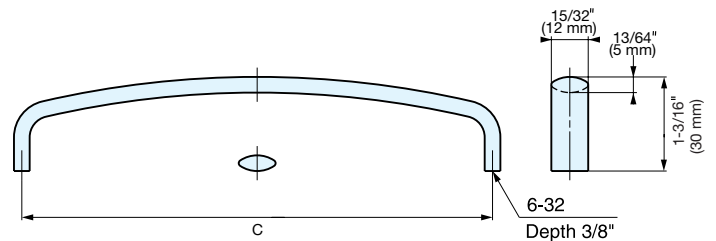
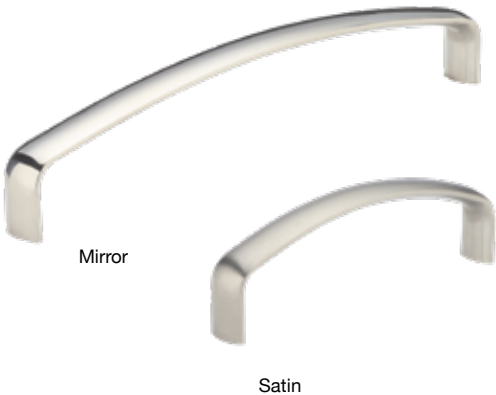
Material	Finish
316 Stainless Steel	Mirror (M)/Satin (S)

# HANDLE



KC-R

• Ideal for harsh and highly corrosive environments.



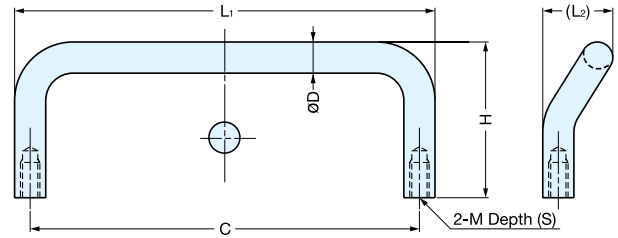
Item No.	C	Weight (g)	Box (pcs)	Carton (pcs)
KC-R635/M	KC-R635/S	3-1/2" (88.9 mm)	20	200
KC-R640/M	KC-R640/S	4" (101.6 mm)		
KC-R650/M	KC-R650/S	5" (127 mm)		
KC-R660/M	KC-R660/S	6" (152.4 mm)		

Material	Finish
316 Stainless Steel	Mirror (M)/Satin (S)

# HANDLE (OFFSET)



H-75-C



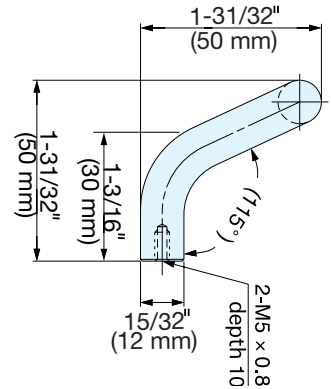
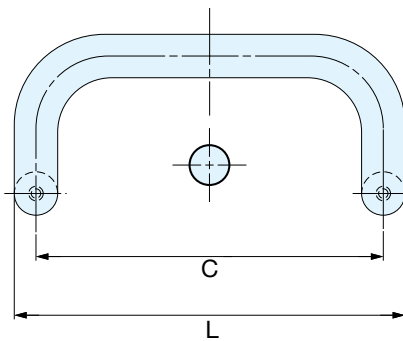
Material	Finish
304 Stainless Steel	Polished

Item No.	L <sub>1</sub>	(L <sub>2</sub> )	(S)	H	C	øD	M	Weight (g)	Box (pcs)	Carton (pcs)
H-75-C-66	2-19/32" (66 mm)	5/8" (16 mm)	9/32" (7 mm)	30.0 ( 1-3/16" )	2-23/64" (60 mm)	15/64" (6 mm)	M4	23	100	400
H-75-C-86	3-25/64" (86 mm)			31.5 (1-15/64")	3-5/32" (80 mm)			28		
H-75-C-108	4-1/4" (108 mm)	45/64" (18 mm)	25/64" (10 mm)	32.0 (1-17/64")	3-15/16" (100 mm)	5/16" (8 mm)	M5	54	50	200
H-75-C-128	5-3/64" (128 mm)			40.0 (1-37/64")	4-23/32" (120 mm)			70		

# HANDLE (OFFSET)



LF-12



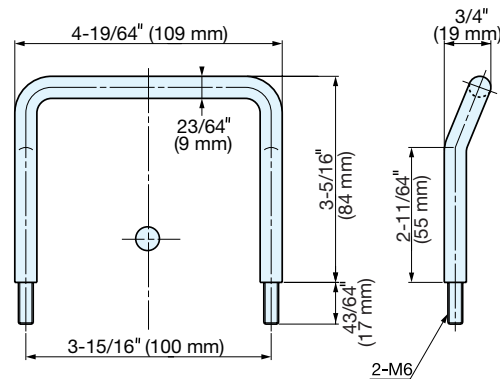
Item No.	L	C	Weight (g)	Box (pcs)	Carton (pcs)
LF-12-96	4-1/4" (108 mm)	3-25/32" (96 mm)	182	10	80
LF-12-128	5-33/64" (140 mm)	5-3/64" (128 mm)	211		60
LF-12-160	6-49/64" (172 mm)	6-19/64" (160 mm)	236		

Material	Finish
304 Stainless Steel	Satin

# WIRE PULL



H-75-BL-100



Item No.	Weight (g)	Box (pcs)	Carton (pcs)
H-75-BL-100	130	80	-

Material	Finish
304 Stainless Steel	Mirror

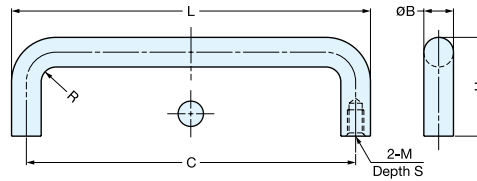


# WIRE PULL



H-42-C

Handles & Pulls



Material	Finish
304 Stainless Steel	Mirror

Item No.	L	H	B	C	S	M	R	Weight (g)	Box (pcs)	Carton (pcs)
H-42-C-8	2-19/32" (66 mm)	55/64" (22 mm)	15/64" (6 mm)	2-23/64" (60 mm)	9/32" (7 mm)	M4 x 0.7	1/8" (3 mm)	18	100	500
H-42-C-14	3-25/64" (86 mm)			3-5/32" (80 mm)				25		
H-42-C-1	2-61/64" (75 mm)	1-3/16" (30 mm)	9/32" (7 mm)	2-43/64" (68 mm)	5/16" (8 mm)	M5 x 0.8	9/64" (3.5 mm)	30	50	250
H-42-C-2	4-19/64" (109 mm)			3-15/16" (100 mm)				65		
H-42-C-3	4-23/32" (120 mm)	1-37/64" (40 mm)	25/64" (10 mm)	4-21/64" (110 mm)	5/16" (8 mm)	M6 x 1.0	13/64" (5 mm)	100	30	60
H-42-C-4	5-1/8" (130 mm)			4-23/32" (120 mm)				105		
H-42-C-15	6-3/8" (162 mm)	1-31/32" (50 mm)	15/32" (12 mm)	5-29/32" (150 mm)	25/64" (10 mm)	M8 x 1.25	15/64" (6 mm)	185	20	40
H-42-C-5	7-7/8" (200 mm)			7-13/32" (188 mm)				220		
H-42-C-6	9-27/32" (250 mm)			9-3/8" (238 mm)				265		
H-42-C-7	11-13/16" (300 mm)			11-11/32" (288 mm)				300		

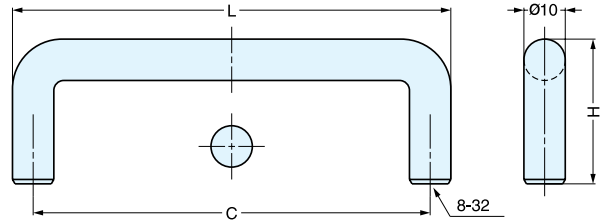
# WIRE PULL



SWF



• Ideal for harsh and highly corrosive environments.



Item No.	L	C	H	Weight (g)	Box (pcs)	Carton (pcs)
SWF-640	4-3/8" (111 mm)	4" (101.5 mm)	1-3/8" (35 mm)	90	20	160
SWF-650	5-3/8" (136.5 mm)	5" (127 mm)		110		160
SWF-660	6-3/8" (162 mm)	6" (152.5 mm)		130		120
SWF-690	9-3/8" (238 mm)	9" (228.5)		200		120
SWF-6120	12-3/8" (314.5 mm)	12" (305 mm)		270		80

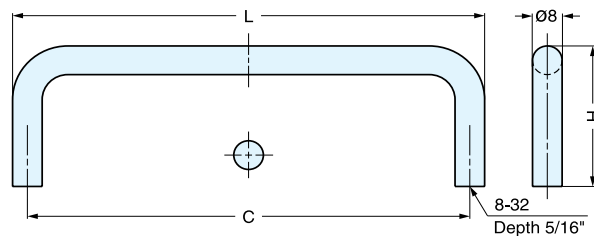
Material	Finish
316 Stainless Steel	Satin

# WIRE PULL



SWP

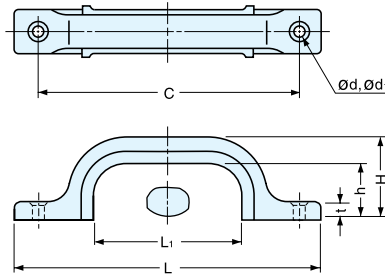
• Ideal for harsh and highly corrosive environments.



Item No.	L	C	H	Weight (g)	Box (pcs)	Carton (pcs)
SWP-630/S	3-5/16" (84.2 mm)	3" (76.2 mm)	1-11/32" (34 mm)	71	20	200
SWP-635/S	3-13/16" (96.9 mm)	3-1/2" (88.9 mm)		78		
SWP-640/S	4-5/16" (109.6 mm)	4" (101.6 mm)		85		
SWP-696/S	4-3/32" (104 mm)	3-25/32" (96 mm)		91		

Material	Finish
304 Stainless Steel	Satin

# HANDLE



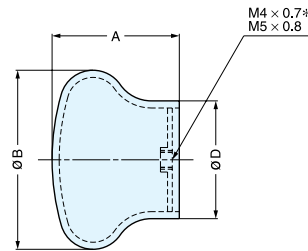
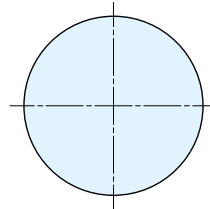
- Rubber grip allows for an easy and comfortable grip.
- Light weight design.

\* Grip - Black/Synthetic Rubber

Material	Finish
304 Stainless Steel	Mirror (M)/Satin (S)

Item No.	L	L1	C	B	H	h	t	d	d1	Weight (g)	Box (pcs)	Carton (pcs)	Screw
US-70/M	US-70/S	2-3/4" (70 mm)	25/32" (20 mm)	2-1/8" (54 mm)	43/64" (17 mm)	1-7/64" (28.0 mm)	7/32" (5.5 mm)	1/8" (3.3 mm)	17/64" (6.6 mm)	20	20	200	3.1 x 16
US-120/M	US-120/S	4-23/32" (120 mm)	2-1/4" (57 mm)	4-1/64" (102 mm)	3/4" (19 mm)	1-17/64" (32.0 mm)	1/4" (6.5 mm)	5/32" (3.8 mm)	19/64" (7.6 mm)	45			3.5 x 20
US-160/M	US-160/S	6-19/64" (160 mm)	3-15/32" (88 mm)	5-33/64" (140 mm)	55/64" (22 mm)	1-15/32" (37.5 mm)	29/32" (23 mm)	19/64" (7.5 mm)	5/32" (3.8 mm)	70	10	100	4.1 x 25

# KNOB

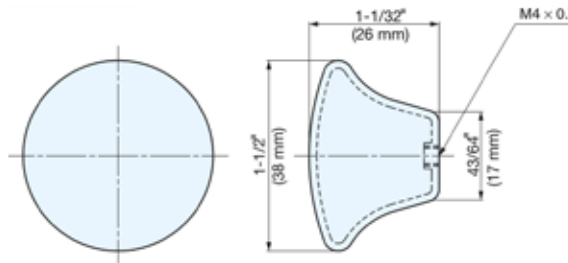


- Light weight design.

Material	Finish
304 Stainless Steel	Mirror (M)/Satin (S)

Item No.	A	B	D	Weight (g)	Box (pcs)	Carton (pcs)	Screw	
RSS-25/M*	RSS-25/S*	55/64" (22 mm)	63/64" (25 mm)	45/64" (18 mm)	8.5	20	200	
RSS-30/M*	RSS-30/S*	29/32" (23 mm)	1-3/16" (30 mm)	25/32" (20 mm)	11.0			M4 x 30
RSS-38/M	RSS-38/S	1-1/16" (27 mm)	1-1/2" (38 mm)	63/64" (25 mm)	16.0			M5 x 30
RSS-50/M	RSS-50/S	1-11/32" (34 mm)	1-31/32" (50 mm)	1-3/8" (35 mm)	30.0			

# KNOB



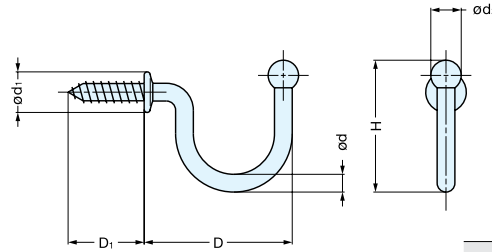
- Light weight design.

Item No.	Weight (g)	Box (pcs)	Carton (pcs)	Material	Finish
RS-38/S	20	20	200	304 Stainless Steel	Satin

# WIRE HOOK



TF



Material	Finish
304 Stainless Steel	Polished

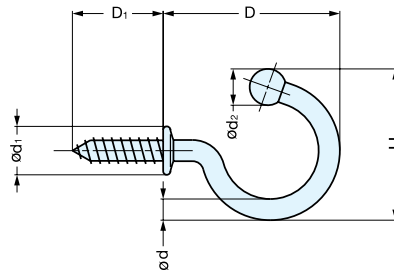
Item No.	D	D <sub>1</sub>	H	d	d <sub>1</sub>	d <sub>2</sub>	Load Capacity	Weight (g)	Box (pcs)	Carton (pcs)
TF-20	13/16" (20.8 mm)	7/16" (11 mm)	25/32" (20 mm)	7/64" (2.7 mm)	1/4" (6.5 mm)	11/64" (4.5 mm)	6.6 lbs (3 kg)	3.0	200	7200
TF-30	1-5/32" (29.2 mm)	19/32" (15 mm)	1-1/32" (26 mm)	9/64" (3.5 mm)	5/16" (8 mm)	15/64" (6 mm)	15.4 lbs (7 kg)	5.5	100	1800
TF-35	1-19/32" (40.5 mm)	25/32" (20 mm)	1-3/8" (35 mm)	11/64" (4.5 mm)	25/64" (10 mm)	19/64" (7.5 mm)	26 lbs (12 kg)	13.5	50	900

HOOKS

# WIRE HOOK



TL



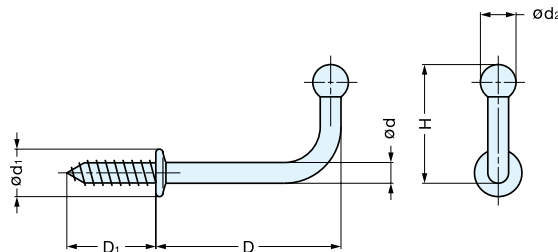
Material	Finish
304 Stainless Steel	Polished

Item No.	D	D <sub>1</sub>	H	d	d <sub>1</sub>	d <sub>2</sub>	Load Capacity	Weight (g)	Box (pcs)	Carton (pcs)
TL-15	21/32" (16.8 mm)	7/16" (11 mm)	19/32" (15 mm)	7/64" (2.7 mm)	1/4" (6.5 mm)	11/64" (4.5 mm)	11 lbs (5 kg)	1.9	200	7200
TL-20	29/32" (22.8 mm)		25/32" (20 mm)					2.1	100	3600
TL-30	1-5/32" (29.2 mm)	19/32" (15 mm)	63/64" (25 mm)	9/64" (3.5 mm)	5/16" (8 mm)	15/64" (6 mm)		6.0	50	900
TL-40	1-19/32" (40.5 mm)	25/32" (20 mm)	1-11/32" (34 mm)	11/64" (4.5 mm)	25/64" (10 mm)	19/64" (7.5 mm)	26 lbs (12 kg)	13.5		

# WIRE HOOK



TY



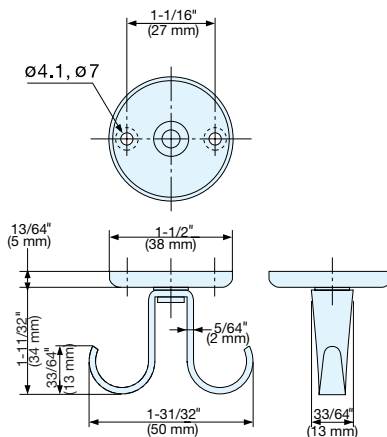
Material	Finish
304 Stainless Steel	Polished

Item No.	D	D <sub>1</sub>	H	d	d <sub>1</sub>	d <sub>2</sub>	Load Capacity	Wt (g)	Box (pcs)	Carton (pcs)
TY-20	55/64" (21.8)	7/16" (11)	35/64" (14)	7/64" (2.7 mm)	1/4" (6.5 mm)	11/64" (4.5 mm)	6.6 lbs (3 kg)	1.5	200	7200
TY-25	1-1/16" (27)	33/64" (13)	43/64" (17)	1/8" (3 mm)	9/32" (7 mm)	13/64" (5 mm)		3.0	100	3600
TY-30	1-7/32" (31.2)	19/32" (15)	25/32" (20)	9/64" (3.5 mm)	5/16" (8 mm)	15/64" (6 mm)	15.4 lbs (7 kg)	5.0		50
TY-35-15	1-7/16" (36.5)		29/32" (23)	5/32" (4 mm)	23/64" (9 mm)	1/4" (6.5 mm)	7.0	11.0	900	
TY-40-15	1-23/32" (43.5)		1-1/16" (27)	11/64" (4.5 mm)	25/64" (10 mm)	19/64" (7.5 mm)	17.6 lbs (8 kg)			

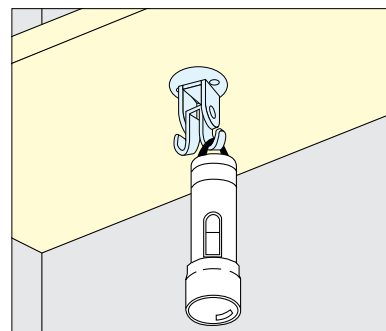
# ROTATING HOOK



RF-50



- Rotates 360°.
- Can be mounted in various directions.



HOOKS

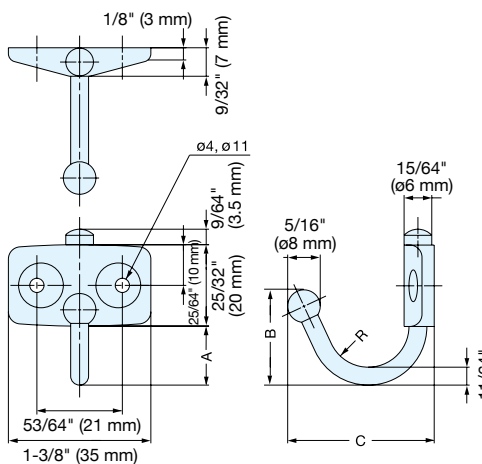
Item No.	Load Capacity	Weight (g)	Box (pcs)	Carton (pcs)
RF-50	6 lbs (3 kg)	33	25	500

Material	Finish
304 Stainless Steel	Satin

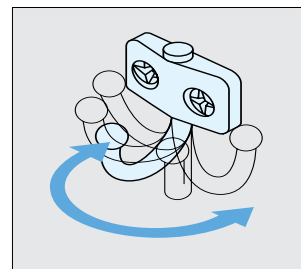
# SWING HOOK (W/FRICTION)



TK



- Swivels 180 degrees.
- Hook has constant torque when swiveling.
- Ideal for vibration or shock applications.



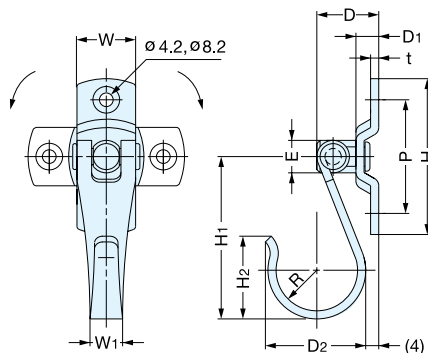
Item No.	A	B	C	R	Load Capacity	Weight (g)	Box (pcs)	Carton (pcs)
TK-30F	37/64" (14.5 mm)	59/64" (23.4 mm)	1-27/64" (36 mm)	25/64" (10 mm)	26 lbs (12 kg)	17	100	1000
TK-45F	49/64" (19.4 mm)	1-1/8" (28.4 mm)	1-3/4" (44.3 mm)	19/32" (15 mm)	17 lbs (8 kg)	20		

Material	Finish
304 Stainless Steel	Polished

# SWING HOOK



UJ



- Rotates 360° and swivels 180°.
- Can be mounted in various directions.

Material	Finish
304 Stainless Steel	Satin

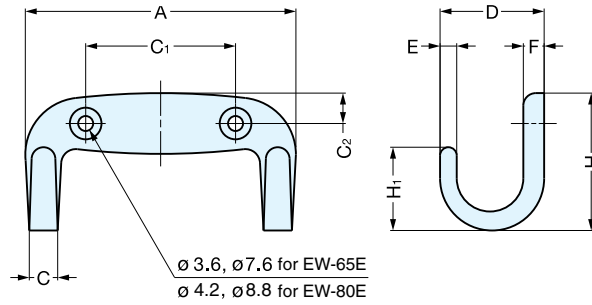
Item No.	W	W <sub>1</sub>	D	D <sub>1</sub>	D <sub>2</sub>	H	H <sub>1</sub>	H <sub>2</sub>	P	E	R	t	Load Capacity	Wt (g)	Box (pcs)	Carton (pcs)
UJ-040	5/8" (16 mm)	23/64" (9 mm)	21/32" (16.5 mm)	7/32" (5.5 mm)	63/64" (24.9 mm)	1-21/32" (42 mm)	1-37/64" (40 mm)	27/32" (21.4 mm)	1-3/16" (30 mm)	ø9	25/64" (10 mm)	5/64" (2 mm)	14 lbs (6.7 kg)	27	50	500
UJ-050	45/64" (18 mm)	25/64" (10 mm)	3.4" (19 mm)	9/32" (7 mm)	1-7/32" (30.8 mm)	1-57/64" (48 mm)	1-31/32" (50 mm)	1" (25.5 mm)	1-3/8" (35 mm)	ø10	31/64" (12.5 mm)	3/32" (2.5 mm)	19 lbs (8.9 kg)	45	30	300

# HOOK



EW-65E, 80E

Hooks



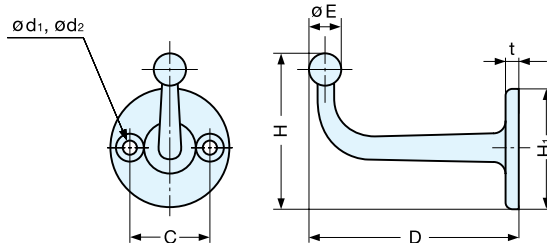
Material	Finish
304 Stainless Steel	Mirror

Item No.	A	C <sub>1</sub>	C	D	E	F	C <sub>2</sub>	H	H <sub>1</sub>	Load Capacity	Wt (g)	Box (pcs)	Carton (pcs)	Screw
EW-65E	2-9/16" (65 mm)	1-27/64" (36 mm)	1/4" (6.5 mm)	63/64" (25 mm)	5/32" (4 mm)	13/64" (5 mm)	9/32" (7.3 mm)	1-19/64" (33 mm)	25/32" (20 mm)	44 lbs (20 kg)	52	10	100	3.1 × 16
EW-80E	3-5/32" (80 mm)	1-47/64" (44 mm)	5/16" (8 mm)	1-17/64" (32 mm)	13/64" (5 mm)	15/64" (6 mm)	23/64" (9 mm)	1-21/32" (42 mm)	63/64" (25 mm)		93			3.8 × 20

# HOOK



FC, FC-Ti



Material	Finish
304 Stainless Steel	Mirror

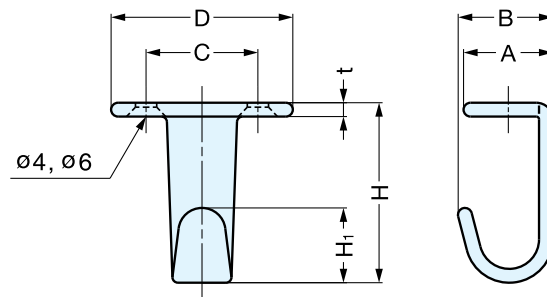
\* Titanium Available Upon Request

Item No.	D	H	H <sub>1</sub>	t	C	d <sub>1</sub>	d <sub>2</sub>	E	Load Capacity	Wt (g)	Material	Box (pcs)	Carton (pcs)
FC-50	1-27/32" (47 mm)	1-29/64" (37 mm)	1-7/64" (28 mm)	1/8" (3 mm)	47/64" (18.5 mm)	1/8" (3.3 mm)	1/4" (6.5 mm)	1/4" (6.5 mm)	22 lbs (10 kg)	17	304 Stainless Steel	40	240
FC-50 Ti											Titanium		
FC-65	2-9/16" (65 mm)	1-47/64" (44 mm)	1-3/8" (35 mm)	5/32" (4 mm)	57/64" (22.5 mm)	11/64" (4.2 mm)	5/16" (8 mm)	5/16" (8 mm)	26 lbs (12 kg)	34	304 Stainless Steel	30	180
FC-65 Ti											Titanium		

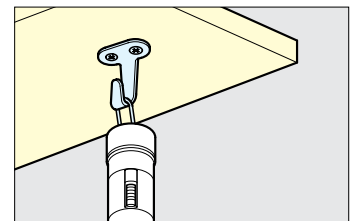
# HOOK



HJ



• Ideal for undermount applications.



Material	Finish
304 Stainless Steel	Satin/Black (BL)

Item No.	D	C	H	H <sub>1</sub>	A	B	t	Load Capacity	Weight (g)	Box (pcs)	Carton (pcs)
HJ-20	1-3/32" (28 mm)	45/64" (18 mm)	1-1/16" (27 mm)	7/16" (11 mm)	33/64" (13 mm)	43/64" (17 mm)	3/32" (2.5 mm)	30.8 lbs (14 kg)	11	120	1200
HJ-20SBL											
HJ-30	1-9/32" (33 mm)	25/32" (20 mm)	1-9/32" (32.5 mm)	17/32" (13.5 mm)	5/8" (16 mm)	7/8" (22 mm)			30	600	
HJ-30SBL											
HJ-50	23/32" (43.5 mm)	1-3/16" (30 mm)	1-27/32" (47 mm)	49/64" (19.6 mm)	53/64" (21 mm)	7/8" (22 mm)	30	40	800		
HJ-50SBL											

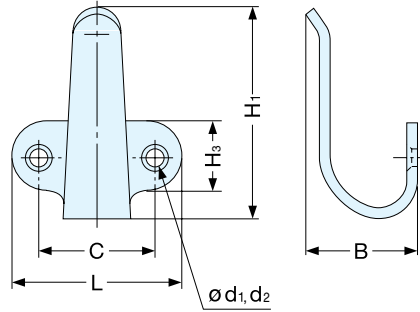


# HOOK

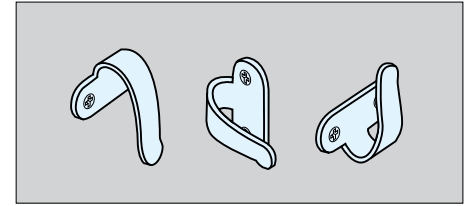


2H

Hooks



• Unique design, also can be used as a pull.



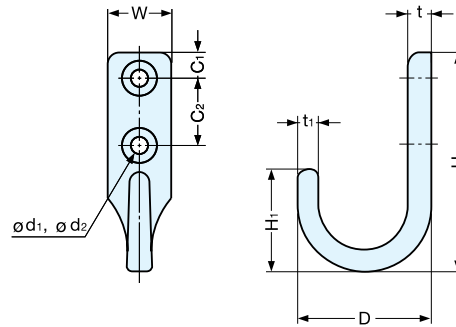
Material	Finish
304 Stainless Steel	Satin

Item No.	L	C	C <sub>1</sub>	H	B	d <sub>1</sub>	d <sub>2</sub>	Load Capacity	Wt (g)	Box (pcs)	Carton (pcs)	Screw
2H-20	1-3/32" (28 mm)	45/64" (18 mm)	25/64" (10 mm)	1-3/16" (30 mm)	45/64" (18 mm)	5/32" (4 mm)	1/4" (6.2)	22 lbs (10 kg)	13	120	1200	3.1×16
2H-30	1-9/32" (32.5 mm)	25/32" (20 mm)	33/64" (13 mm)	1-17/32" (39 mm)					18	100	1000	
2H-40	1-3/8" (35 mm)	27/32" (21.5 mm)	5/8" (16 mm)	1-47/64" (44 mm)	29/32" (23 mm)	5/32" (4 mm)	9/32" (7 mm)	13 lbs (6 kg)	23	80	800	3.5×16
2H-50	1-11/16" (43 mm)	1-3/16" (30 mm)	45/64" (18 mm)	2-13/64" (56 mm)	63/64" (25 mm)				34	50	500	

# HOOK



EL-25, 30



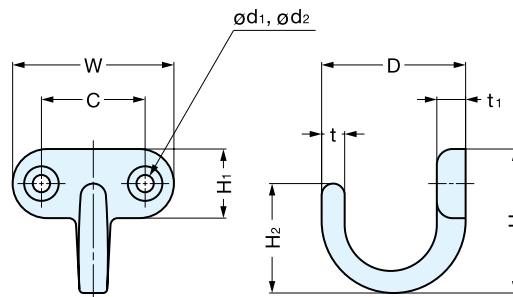
Material	Finish
304 Stainless Steel	Mirror

Item No.	D	H	H <sub>1</sub>	t	t <sub>1</sub>	W	C <sub>1</sub>	C <sub>2</sub>	d <sub>1</sub>	d <sub>2</sub>	Load Capacity	Weight (g)	Box (pcs)	Carton (pcs)	Screw
EL-25	1-1/32" (26 mm)	1-37/64" (40 mm)	3/4" (19 mm)	7/32" (5.5 mm)	5/32" (4 mm)	15/32" (12 mm)	13/64" (5 mm)	15/32" (12 mm)	1/8" (3 mm)	15/64" (6 mm)	44 lbs (20 kg)	19	30	300	2.7 × 16
EL-30	1-17/64" (32 mm)	2-9/64" (54.5 mm)	63/64" (25 mm)	15/64" (6 mm)	13/64" (5 mm)	19/32" (15 mm)	15/64" (6 mm)	5/8" (16 mm)	5/32" (4 mm)	5/16" (8 mm)		32	20	200	3.8 × 20

# HOOK



EP-25, 40



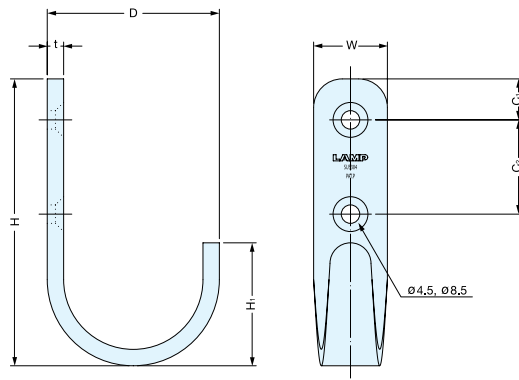
Material	Finish
304 Stainless Steel	Mirror

Item No.	D	W	H	H <sub>1</sub>	H <sub>2</sub>	t	t <sub>1</sub>	C	d <sub>1</sub>	d <sub>2</sub>	Load Capacity	Weight (g)	Box (pcs)	Carton (pcs)	Screw
EP-25	63/64" (25 mm)	1-7/64" (28 mm)	63/64" (25 mm)	15/32" (12 mm)	3/4" (19 mm)	5/32" (4 mm)	13/64" (5 mm)	45/64" (18 mm)	1/8" (3 mm)	15/64" (6 mm)	44 lbs (20 kg)	16	30	300	2.7 × 16
EP-40	1-17/64" (32 mm)	1-27/64" (36 mm)	1-19/64" (33 mm)	5/8" (16 mm)	63/64" (25 mm)	13/64" (5 mm)	15/64" (6 mm)	29/32" (23 mm)	5/32" (4 mm)	5/16" (8 mm)		31	20	200	3.8 × 20

# HOOK



HJT



• 4mm thick material designed for excellent durability.

Material	Finish
304 Stainless Steel	Satin/Black (BL)

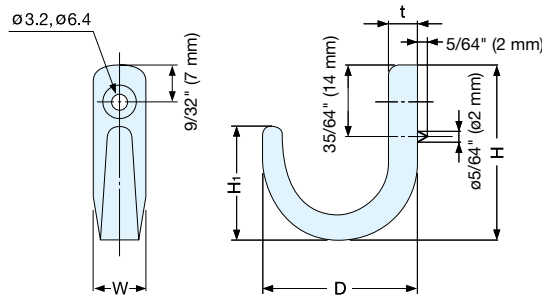
Item No.	D	H	H <sub>1</sub>	t	W	C <sub>1</sub>	C <sub>2</sub>	Load Capacity	Wt (g)	Box (pcs)	Carton (pcs)
HJT-55S	9/32" (33 mm)	5/32" (55 mm)	29/32" (23 mm)	5/32" (4 mm)	19/32" (15 mm)	5/16" (8 mm)	3/4" (19 mm)	22.0 lbs (10 kg)	34	30	300
HJT-55SBL											
HJT-70S	11/16" (43 mm)	3/4" (70 mm)	1-3/16" (30 mm)	5/32" (4 mm)	45/64" (18 mm)	25/64" (10 mm)	29/32" (23 mm)	17.6 lbs (8 kg)	53	20	200
HJT-70SBL											

HOOKS

# HOOK



TA-3



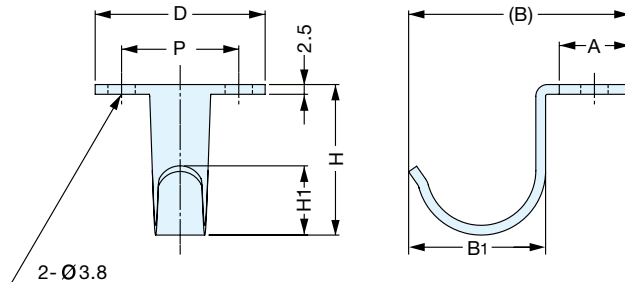
Material	Finish
304 Stainless Steel	Mirror

Item No.	D	W	H	H <sub>1</sub>	t	Load Capacity	Wt (g)	Box (pcs)	Carton (pcs)
TA-3S	7/8" (22 mm)	23/64" (9 mm)	1-9/64" (29 mm)	5/8" (16 mm)	5/32" (4 mm)	35 lbs (16 kg)	10	30	600
TA-3L	1-3/16" (30 mm)	25/64" (10 mm)	1-11/32" (34 mm)	55/64" (22 mm)	7/32" (5.5 mm)		19	20	400

# HOOK



HJU



• Ideal for undermount applications.

Material	Finish
304 Stainless Steel	Mirror

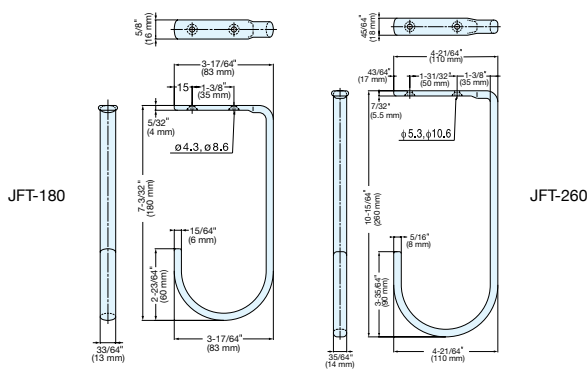
Item No.	D	P	H	H <sub>1</sub>	A	B	B <sub>1</sub>	Load Capacity	Weight(g)	Box(pcs)	Carton(pcs)
HJU-30S	1-9/32" (32.5 mm)	25/32" (20 mm)	63/64" (25 mm)	33/64" (13 mm)	33/64" (13 mm)	1-41/64" (41.8 mm)	1" (25.5 mm)	17.6 lbs (8 kg)	15	30	600
HJU-50S	1-45/64" (43.5 mm)	1-11/64" (30 mm)	1-33/64" (38.5 mm)	45/64" (18 mm)	45/64" (18 mm)	2-21/64" (59 mm)	1-15/32" (37.5 mm)	22 lbs (10 kg)	30	40	800

# LARGE UTILITY HOOK



JFT-180, 260

Hooks



• Ideal for undermount applications.

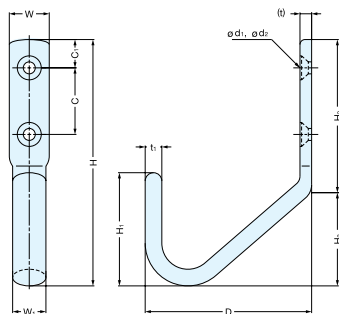
Material	Finish
303 Stainless Steel	Mirror

Item No.	Load Capacity	Weight (g)	Box (pcs)	Carton (pcs)	Screw
JFT-180	22 lbs (10 kg)	180	5	30	4.5 × 25
JFT-260	33 lbs (15 kg)	380			5.1 × 38

# LARGE UTILITY HOOK



JF-50, 80, 120



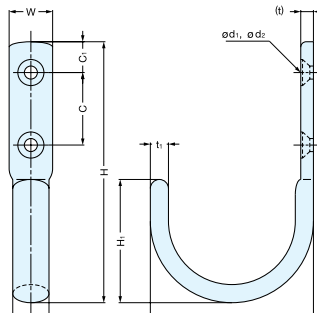
Material	Finish
303 Stainless Steel	Mirror

Item No.	D	W	W <sub>1</sub>	H	H <sub>1</sub>	H <sub>2</sub>	H <sub>3</sub>	C	C <sub>1</sub>	t	t <sub>1</sub>	d <sub>1</sub>	d <sub>2</sub>	Load Capacity	Wt (g)	Box (pcs)	Carton (pcs)	Screw
JF-50	1-31/32" (50 mm)	15/32" (12 mm)	25/64" (10 mm)	2-29/32" (74 mm)	1-11/32" (34 mm)	1-13/16" (46 mm)	1-7/64" (28 mm)	25/32" (20 mm)	21/64" (8.5 mm)	9/64" (3.5 mm)	13/64" (5 mm)	5/32" (3.8 mm)	9/32" (7.2 mm)	26 lbs (12 kg)	40	20	120	3.5 × 16
JF-80	3-5/32" (80 mm)	5/8" (16 mm)	33/64" (13 mm)	4-17/32" (115 mm)	1-31/32" (50 mm)	2-9/16" (65 mm)	1-31/32" (50 mm)	1-3/16" (30 mm)	19/32" (15 mm)	5/32" (4 mm)	15/64" (6 mm)	11/64" (4.3 mm)	11/32" (8.6 mm)	44 lbs (20 kg)	95	6	36	4.1 × 20
JF-120	4-23/32" (120 mm)	45/64" (18 mm)	35/64" (14 mm)	7-7/8" (200 mm)	3-35/64" (90 mm)	4-13/32" (112 mm)	3-15/32" (88 mm)	2-3/4" (70 mm)	43/64" (17 mm)	7/32" (5.5 mm)	5/16" (8 mm)	13/64" (5.3 mm)	27/64" (10.6 mm)	48 lbs (22 kg)	260	5	30	5.1 × 32

# LARGE UTILITY HOOK



JF-45, 70, 110



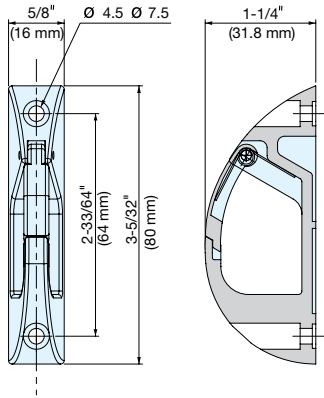
Material	Finish
303 Stainless Steel	Mirror

Item No.	D	W	W <sub>1</sub>	H	H <sub>1</sub>	C	C <sub>1</sub>	t	t <sub>1</sub>	d <sub>1</sub>	d <sub>2</sub>	Load Capacity	Wt (g)	Box (pcs)	Carton (pcs)	Screw
JF-45	1-25/32" (145 mm)	15/32" (12 mm)	25/64" (10 mm)	2-27/32" (72 mm)	1-11/32" (34 mm)	25/32" (20 mm)	21/64" (8.5 mm)	9/64" (3.5 mm)	13/64" (5 mm)	5/32" (3.8 mm)	9/32" (7.2 mm)	22 lbs (10 kg)	40	20	120	3.5 × 16
JF-70	2-43/64" (68 mm)	5/8" (16 mm)	33/64" (13 mm)	4-23/32" (120 mm)	2-11/64" (55 mm)	1-3/8" (35 mm)	19/32" (15 mm)	5/32" (4 mm)	15/64" (6 mm)	11/64" (4.3 mm)	11/32" (8.6 mm)		95	6	36	4.1 × 20
JF-110	4-21/64" (110 mm)	45/64" (18 mm)	35/64" (14 mm)	7-7/8" (200 mm)	3-35/64" (90 mm)	2-3/4" (70 mm)	43/64" (17 mm)	7/32" (5.5 mm)	5/16" (8 mm)	13/64" (5.3 mm)	27/64" (10.6 mm)	26 lbs (12 kg)	270	5	30	5.1 × 32

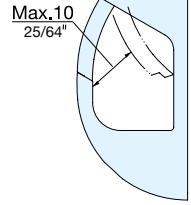
# LATCH HOOK



EN-R80



• Keeps items hooked, ideal for vibration or shock applications.



Material	Finish
316 Stainless Steel	Polished

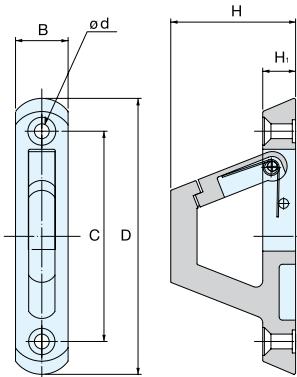
Item No.	Load Capacity		Weight (g)	Box (pcs)	Carton (pcs)
	Hook	Arm			
EN-R80	44 lbs (20 kg)	22 lbs (10 kg)	85	10	120

HOOKS

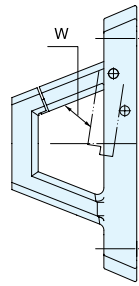
# LATCH HOOK



EN-K



• Keeps items hooked, ideal for vibration or shock applications.



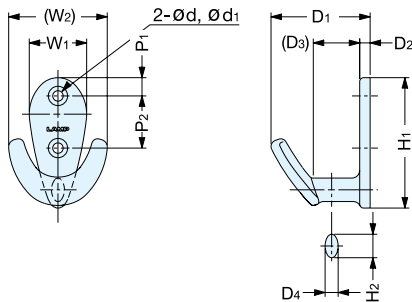
Material	Finish
316 Stainless Steel	Polished

Item No.	D	C	B	H	H <sub>1</sub>	d	W	Load Capacity (kg)		Wt (g)	Box (pcs)	Carton (pcs)
								Hook	Arm			
EN-K84	3-5/16" (84 mm)	2-33/64" (64 mm)	5/8" (16 mm)	1-1/2" (38 mm)	25/64" (10 mm)	4.5, 8.5	Max.10	44 lbs (20 kg)	10 (22 lbs)	92	10	120
EN-K120	4-23/32" (120 mm)	3-25/32" (96 mm)	7/8" (22 mm)	2-1/8" (54 mm)	15/32" (12 mm)	5.4, 10.5	Max.25	132 lbs (60 kg)		280		60

# FORK HOOK



EU



- Hook with unique design.
- Can hang 3 items at same time. Two on the tips and one on the neck.
- Two-pronged shape ideal for hats, coats, etc.

Material	Finish
316 Stainless Steel	Mirror

Item No.	W <sub>1</sub>	W <sub>2</sub>	D <sub>1</sub>	D <sub>2</sub>	D <sub>3</sub>	D <sub>4</sub>	H <sub>1</sub>	H <sub>2</sub>	d	d <sub>1</sub>	P <sub>1</sub>	P <sub>2</sub>
EU-50	55/64" (22 mm)	1-1/2" (38 mm)	1-1/2" (38 mm)	5/32" (4 mm)	45/64" (17.8 mm)	13/64" (5 mm)	1-31/32" (50 mm)	23/64" (9 mm)	5/32" (4 mm)	19/64" (7.4 mm)	9/32" (7 mm)	25/32" (20 mm)
EU-72	1-17/64" (32 mm)	2-13/64" (56 mm)	2-3/64" (52 mm)	15/64" (6 mm)	29/32" (23 mm)	5/16" (8 mm)	2-53/64" (72 mm)	35/64" (14 mm)	3/16" (4.6 mm)	11/32" (8.6 mm)	25/64" (10 mm)	1-11/32" (34 mm)

Item No.	Load Capacity	Weight (g)	Box (pcs)	Carton (pcs)
EU-50	44 lbs (20 kg)	42	20	120
EU-72	66 lbs (30 kg)	118	10	60

# LIDSTAYS & BRACKETS

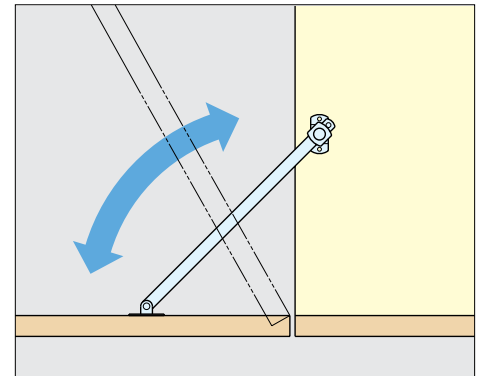
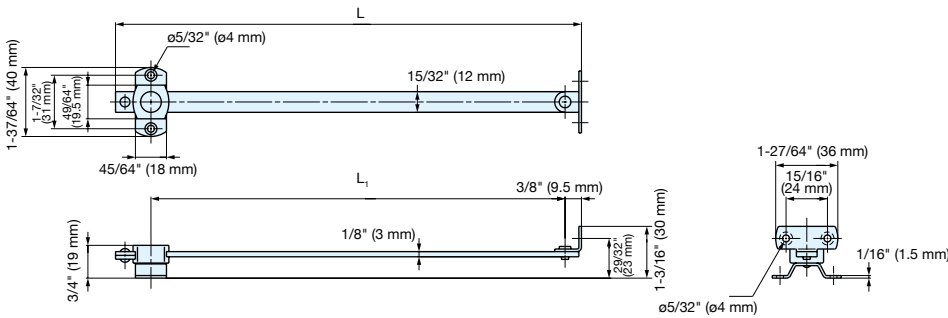
## LID STAY



HS



- For downward-opening flap doors.
- Can be installed individually or in pairs.
- Non-Handed: Can be installed on left or right side.



Material	Finish/Color
304 Stainless Steel	Satin
Polyamide	White

Item No.	L	L <sub>1</sub>	Load Capacity	Weight (g)	Box (pcs)	Carton (pcs)
HS-180	8-17/64" (210 mm)	7-3/32" (180 mm)	22.0 lbs (10 kg)	80	20	220
HS-210	9-29/64" (240 mm)	8-17/64" (210 mm)	26.5 lbs (12 kg)	90		
HS-240	10-5/8" (270 mm)	9-29/64" (240 mm)	28.5 lbs (13 kg)	100		



# LID STAY

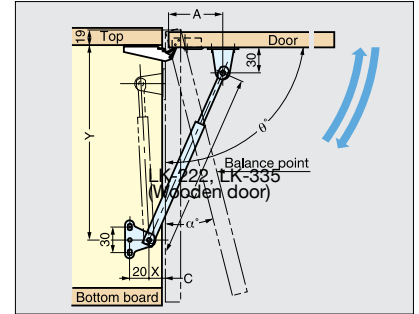


- Spring mechanism assists lifting door and holds in open position.
- Can be installed individually or in pairs.
- Non-Handed: Can be installed on left or right side.

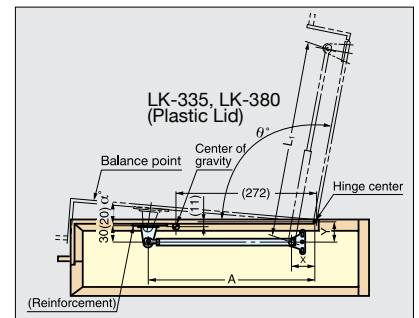


LK-380

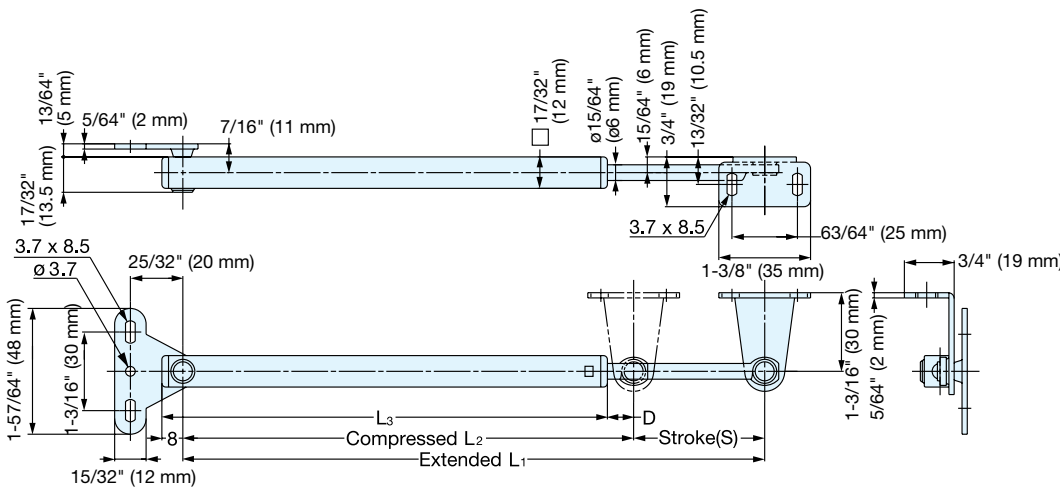
Mounting Example (1)



Mounting Example (2)



Drawing shown is based on C=4mm. If C=0, please deduct 4mm from "X" in the table below.



Material	Finish
304 Stainless Steel	Satin

n Acrylic Doors

Item No.	Max. Door Weight	Door Opening (θ°)	α°	L1	A	X	Y
LK-335 (2 pcs)	5.5 lbs (2.5 kg)	90	0.5	13-3/16" (335 mm)	11-39/64" (295 mm)	1-25/32" (45 mm)	1-1/2" (38 mm)
	6.6 lbs (3.0 kg)	90	14.0	13-3/16" (335 mm)	11-39/64" (295 mm)	1-25/32" (45 mm)	1-1/2" (38 mm)
	7.2 lbs (3.3 kg)	85	12.0	13-3/16" (335 mm)	11-39/64" (295 mm)	1-25/32" (45 mm)	1-47/64" (44 mm)
LK-380 (2 pcs)	5.5 lbs (2.5 kg)	110	8.0	14-31/32" (380 mm)	13" (330 mm)	1-37/64" (40 mm)	1-27/64" (36 mm)
	6.6 lbs (3.0 kg)	90	3.5	14-31/32" (380 mm)	13-3/16" (335 mm)	2-5/32" (55 mm)	1-47/64" (44 mm)
	8.8 lbs (4.0 kg)	90	4.0	14-31/32" (380 mm)	12-19/32" (320 mm)	1-39/64" (41 mm)	2-21/64" (59 mm)
	9.4 lbs (4.3 kg)	80	7.5	14-31/32" (380 mm)	13-3/16" (335 mm)	2-13/64" (56 mm)	2-23/64" (60 mm)

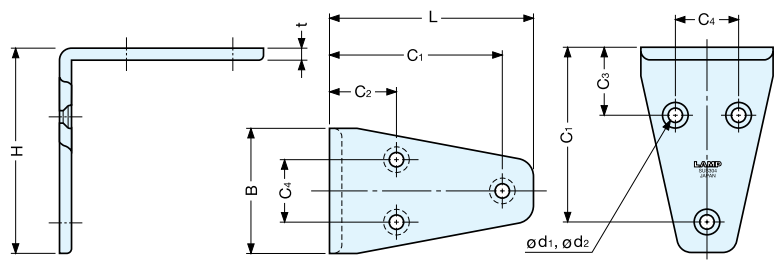
n Wooden Doors

Door weight is based on door height: LK-222=350mm, LK-335=500mm

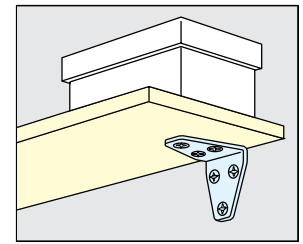
Item No.	Max. Door Weight	Door Opening (θ°)	α°	L1	A	X	Y
LK-222 (2 pcs)	5.5 lbs (2.5 kg)	90	17	8-47/64" (222 mm)	2-3/4" (70 mm)	25/32" (20 mm)	9-1/4" (235 mm)
	5.9 lbs (2.7 kg)	85	15	8-47/64" (222 mm)	2-61/64" (75 mm)	25/32" (20 mm)	9-29/64" (240 mm)
	6.6 lbs (3.0 kg)	75	14	8-47/64" (222 mm)	3-11/32" (85 mm)	25/32" (20 mm)	9-7/8" (251 mm)
LK-335 (2 pcs)	6.8 lbs (3.1 kg)	90	14	13-3/16" (335 mm)	4-3/32" (104 mm)	25/32" (20 mm)	13-35/64" (344 mm)
	7.2 lbs (3.3 kg)	85	12	13-3/16" (335 mm)	4-13/32" (112 mm)	25/32" (20 mm)	13-13/16" (351 mm)
	8.3 lbs (3.8 kg)	75	11	13-3/16" (335 mm)	5-1/8" (127 mm)	25/32" (20 mm)	14-31/64" (368 mm)

Item No.	L1	L2	L3	S	D	Extended Force (kg)	Compressed Force (kg)	Weight (g)	Box (pcs)	Carton (pcs)
LK-222	8-47/64" (222 mm)	6-25/32" (172 mm)	6-11/16" (170 mm)	1-11/32" (50 mm)	25/64" (10 mm)	3.2	7.0	145	25	150
LK-335	13-3/16" (335 mm)	9-27/32" (207 mm)	9-3/8" (238 mm)	3-11/32" (85 mm)	25/32" (20 mm)	3.8	8.5	185		
LK-380	14-31/32" (380 mm)	11-1/32" (280 mm)	10-19/32" (269 mm)	3-15/16" (100 mm)	3/4" (19 mm)	3.6	8.5	205		

# ANGLE BRACKET



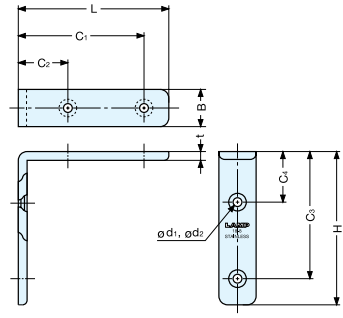
• Stainless steel angle bracket for applications where corrosion is an issue.



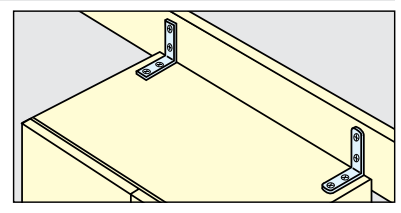
Material	Finish
304 Stainless Steel	Mirror (M)/Satin (S)

Item No.	L	H	C <sub>1</sub>	C <sub>2</sub>	C <sub>3</sub>	C <sub>4</sub>	B	t	d <sub>1</sub>	d <sub>2</sub>	Holes	Load Capacity	Wt (g)	Box (pcs)	Carton (pcs)	Screw			
SV-40/M SV-40/S	1-37/64" (40 mm)	1-37/64" (40 mm)	1-11/32" (34 mm)	43/64" (17 mm)	43/64" (17 mm)	-	63/64" (25 mm)	1/8" (3 mm)	1/8" (3.3 mm)	1/4" (6.5 mm)	4	18 lbs (8 kg)	29	40	640	3.1 × 20			
SV-55/M SV-55/S	2-11/64" (55 mm)	2-11/64" (55 mm)	1-27/32" (47 mm)	45/64" (18 mm)	45/64" (18 mm)	43/64" (17 mm)	1-7/16" (36.5 mm)	1/8" (3 mm)	5/32" (3.8 mm)	19/64" (7.5 mm)	6	31 lbs (14 kg)	162	10	120		58	20	320
SV-80/M SV-80/S	3-5/32" (80 mm)	3-5/32" (80 mm)	2-51/64" (71 mm)	15/16" (24 mm)	15/16" (24 mm)	1-1/16" (27 mm)	2-3/64" (52 mm)	5/32" (4 mm)	11/64" (4.3 mm)	21/64" (8.5 mm)							31 lbs (14 kg)	162	10

# ANGLE BRACKET



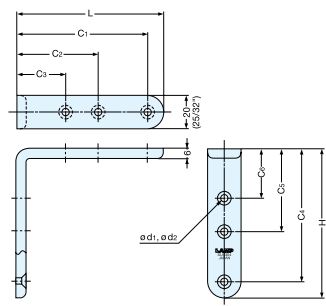
• Stainless steel bracket with subtle and sleek design.



Material	Finish
304 Stainless Steel	Mirror (M)/Satin (S)

Item No.	L	H	C <sub>1</sub>	C <sub>2</sub>	C <sub>3</sub>	C <sub>4</sub>	B	t	d <sub>1</sub>	d <sub>2</sub>	Holes	Load Capacity	Wt (g)	Box (pcs)	Carton (pcs)	Screw
SU-30/M SU-30/S	1-3/16" (30 mm)	1-3/16" (30 mm)	15/16" (24 mm)	7/16" (11 mm)	15/16" (24 mm)	7/16" (11 mm)	15/32" (12 mm)	3/32" (2.5 mm)	9/64" (3.5 mm)	1/4" (6.5 mm)	4	13 lbs (6 kg)	11	60	960	3.1 × 20
SU-45/M SU-45/S	1-49/64" (45 mm)	1-49/64" (45 mm)	1-29/64" (37 mm)	43/64" (17 mm)	1-29/64" (37 mm)	43/64" (17 mm)	33/64" (13 mm)	1/8" (3 mm)	5/32" (4 mm)	19/64" (7.5 mm)		11 lbs (5 kg)	23	50	800	
SU-60/M SU-60/S	2-23/64" (60 mm)	2-23/64" (60 mm)	1-31/32" (50 mm)	25/32" (20 mm)	1-31/32" (50 mm)	25/32" (20 mm)	19/32" (15 mm)	9 lbs (4 kg)				36	40	640	3.5 × 20	

# ANGLE BRACKET



• Stainless steel angle bracket for applications where corrosion is an issue.

Material	Finish
304 Stainless Steel	Mirror (M)

Item No.	L	H	C <sub>1</sub>	C <sub>2</sub>	C <sub>3</sub>	C <sub>4</sub>	C <sub>5</sub>	C <sub>6</sub>	d <sub>1</sub>	d <sub>2</sub>	Holes	Load Capacity	Wt (g)	Box (pcs)	Carton (pcs)
SU-A70/M	2-3/4" (70 mm)	2-3/4" (70 mm)	-	2-23/64" (60 mm)	1-3/16" (30 mm)	-	2-23/64" (60 mm)	1-3/16" (30 mm)	11/64" (4.2 mm)	21/64" (8.2 mm)	4	52 lbs (24 kg)	107	10	100
SU-A90/M	3-35/64" (90 mm)	3-35/64" (90 mm)	3-5/32" (80 mm)	1-31/32" (50 mm)		3-5/32" (80 mm)	1-31/32" (50 mm)				37 lbs (17 kg)	140			
SU-A120/M	4-23/32" (120 mm)	4-23/32" (120 mm)	4-21/64" (110 mm)	2-23/64" (60 mm)		4-21/64" (110 mm)	2-23/64" (60 mm)				28 lbs (13 kg)	194	8	80	
SU-A150/M	5-29/32" (150 mm)	5-29/32" (150 mm)	5-33/64" (140 mm)	2-23/64" (60 mm)	5-33/64" (140 mm)	2-23/64" (60 mm)	22 lbs (10 kg)	248	6	60					

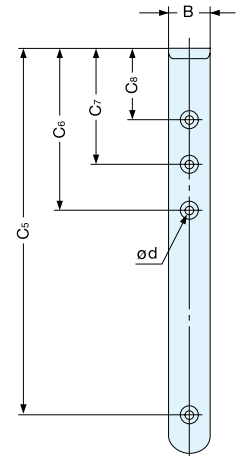
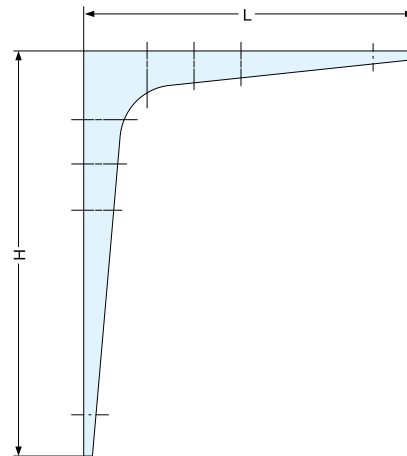
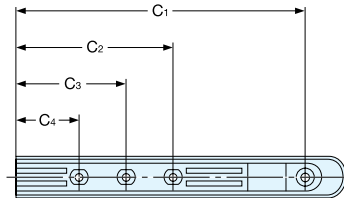
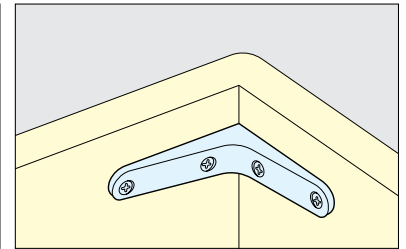
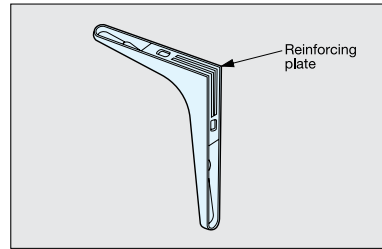
# BRACKET



BT

Lids Stays & Brackets

• Stainless steel (satin finish) or steel (white or black) available.



Material (BT)	Finish
304 Stainless Steel	Satin

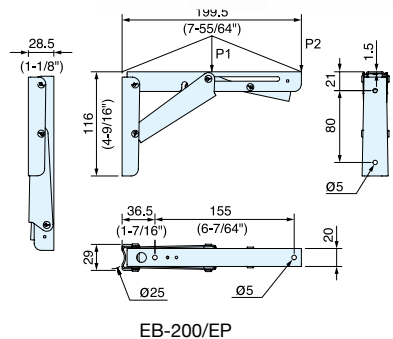
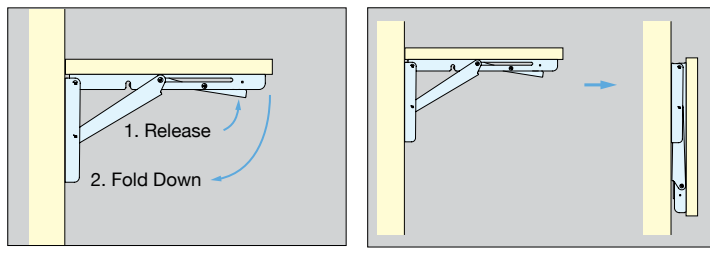
Item No.	L	H	B	C <sub>1</sub>	C <sub>2</sub>	C <sub>3</sub>	C <sub>4</sub>	C <sub>5</sub>	C <sub>6</sub>	C <sub>7</sub>	C <sub>8</sub>	d
BT-85	2-23/32" (69 mm)	3-25/64" (86 mm)	19/32" (15 mm)	2-9/32" (58 mm)	1-1/16" (27 mm)	-	-	2-61/64" (75 mm)	1-1/32" (26 mm)	-	-	5/32" (4 mm)
BT-120	3-15/16" (100 mm)	4-23/32" (120 mm)		3-11/32" (85 mm)	1-11/16" (43 mm)	-	-	4-11/64" (106 mm)	1-21/32" (42 mm)	-	-	
BT-180	5-27/32" (148.5 mm)	7-7/64" (180.5 mm)		5-5/32" (131 mm)	2-51/64" (71 mm)	1-31/32" (50 mm)	-	6-25/64" (162.5 mm)	2-55/64" (72.5 mm)	2-1/32" (51.5 mm)	-	
BT-240	7-27/32" (199 mm)	9-29/64" (240 mm)		23/32" (18 mm)	6-59/64" (176 mm)	3-37/64" (91 mm)	2-21/32" (59 mm)	-	8-35/64" (217 mm)	3-5/8" (92 mm)	2-23/64" (60 mm)	
BT-300	9-25/64" (238.5 mm)	11-27/32" (301 mm)	25/32" (20 mm)	8-1/8" (206.5 mm)	3-41/64" (92.5 mm)	2-3/8" (60.5 mm)	-	10-19/32" (269 mm)	3-47/64" (95 mm)	2-31/64" (63 mm)	-	13/64" (5 mm)
BT-380	12-33/64" (318 mm)	14-7/8" (378 mm)	29/32" (23 mm)	11-7/32" (285 mm)	5-45/64" (145 mm)	4-21/64" (110 mm)	2-61/64" (75 mm)	13-37/64" (345 mm)	5-45/64" (145 mm)	4-21/64" (110 mm)	2-61/64" (75 mm)	
BT-480	15-3/4" (400 mm)	18-57/64" (480 mm)	1-3/16" (30 mm)	14-11/64" (360 mm)	7-3/32" (180 mm)	5-5/16" (135 mm)	3-35/64" (90 mm)	17-21/64" (440 mm)	7-3/32" (180 mm)	5-5/16" (135 mm)	3-35/64" (90 mm)	

Item No.	Holes	Load Capacity	Weight (g)	Box (pcs)	Carton (pcs)
BT-85	4	33 lbs (15 kg)	40	20	240
BT-120		44 lbs (20 kg)	60		100
BT-180		55 lbs (25 kg)	110		200
BT-240	6	61 lbs (28 kg)	200	10	100
BT-300		77 lbs (35 kg)	310		
BT-380	8	143 lbs (65 kg)	470	6	40
BT-480		181 lbs (82.5 kg)	1100		60

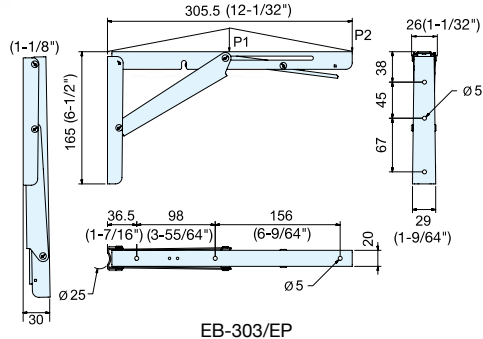
# FOLDING BRACKET



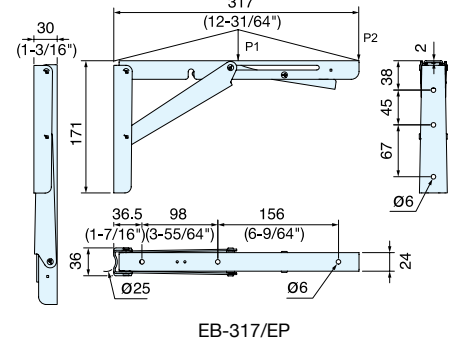
- Automatically locks when flap is in opened position.
- Press lever to release the lock.
- Bracket can be used without the need for hinges.
- Available in 3 different sizes.
- Only EB-303 is NSF.



EB-200/EP



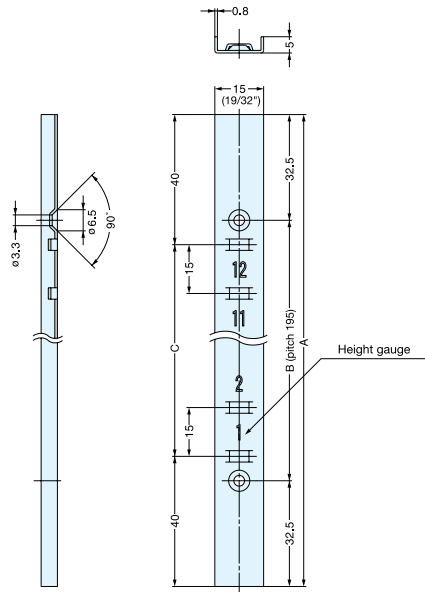
EB-303/EP



EB-317/EP

Item No.	Load Capacity P1	Load Capacity P2	Weight (g)	Carton (pcs)	Part Name	Material
EB-200/EP	385 lbs (175 kg)	198 lbs (90 kg)	330	50	Main Body	304 Stainless Steel
EB-303/EP	330 lbs (150 kg)	65 lbs (75 kg)	515	25	Plate Spring	301 Stainless Steel
EB-317/EP	440 lbs (200 kg)	220 lbs (100 kg)	750	50	Rivet	302 Stainless Steel

# SHELF STANDARD

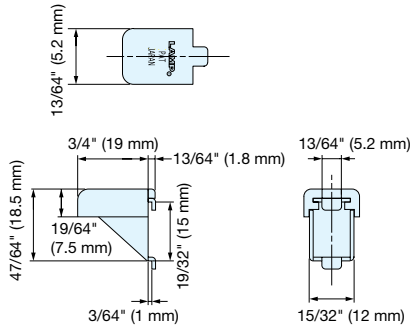


- Easy height adjustment for changing shelf level.
- Shelf support options: SMB-15R, SPM-20B.

Material	Finish	Item No.	A	B	C	Weight (g)	Carton (pcs)
304 Stainless Steel	Satin	SM-1820	71-21/32" (1820 mm)	69-3/32" (1755 mm)	68-1/2" (1740 mm)	245	60

# SHELF SUPPORT

NSF COMPONENT | RoHS compliant | STAINLESS 304 STEEL | LOAD CAPACITY 90 kg 198 lbs | TEST 9 P.471 | SMB-15R

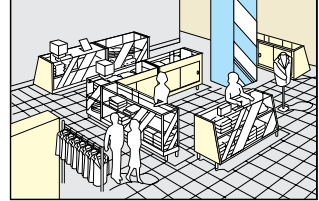
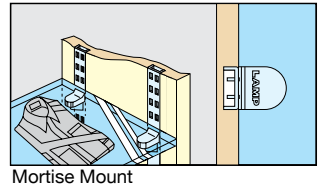
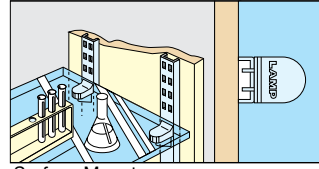
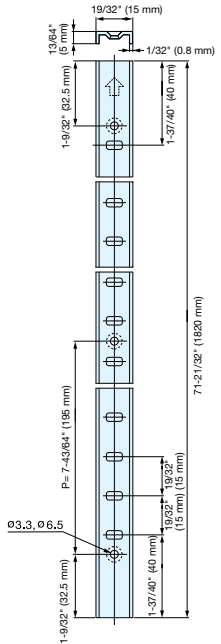


- Shelf support for SM-1820.
- Rubber pad provides a gripped surface to reduce slippage.

Item No.	Load Capacity	Weight (g)	Box (pcs)	Carton (pcs)	Material	Finish/Color
SMB-15R	198 lbs (90 kg)/4pcs	6	300	3000	304 Stainless Steel	Satin
					Elastomer	Grey

# SHELF STANDARD

NSF COMPONENT | RoHS compliant | STAINLESS 304 STEEL | NO SCREW | SP-1820



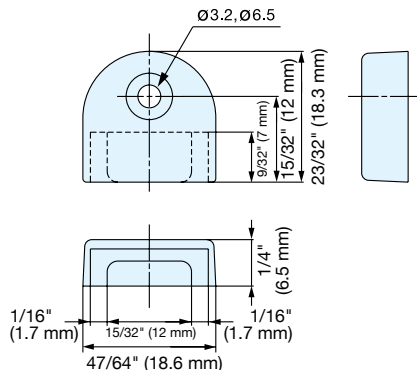
- Easy height adjustment for changing shelf level.
- Shelf support/hook options: SPB-15R, SPB-20, SPF-20, SPF-20LC (Shelf Supports), SPF-20A (Shelf Holder), SPB-35 (Hook), SP-18E (End Cap).

Material	Finish
304 Stainless Steel	Satin

Item No.	Holes	Weight (g)	Carton (pcs)
SP-1820	10	222	60

# END CAP

NSF COMPONENT | SP-18E



- End cover cap for SPH, SM, SP shelf standards.

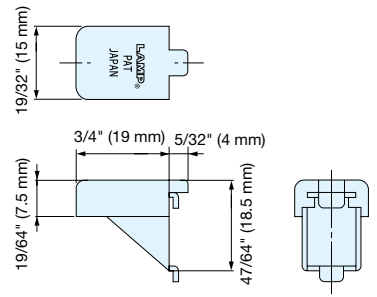
Item No.	Weight (g)	Box (pcs)	Carton (pcs)	Material	Color
SP-18E/BLK	1.3	500	5000	ABS	Black (BLK)/White (WHT)
SP-18E/WHT					



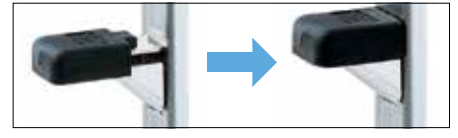
# SHELF SUPPORT

NSF COMPONENT | RoHS compliant | STAINLESS 304 STEEL | LOAD CAPACITY 100 kg 220 lbs | TEST 9 P.471

SPB-15R



- Shelf support for SP-1820.
- Rubber pad provides a gripped surface to reduce slippage.



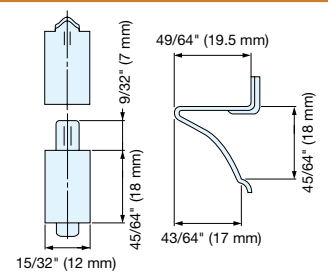
Item No.	Load Capacity	Weight (g)	Box (pcs)	Carton (pcs)
SPB-15R	220 lbs (100 kg)/4pcs	6	300	3000

Material	Finish/Color
304 Stainless Steel	Satin
Elastomer	Black

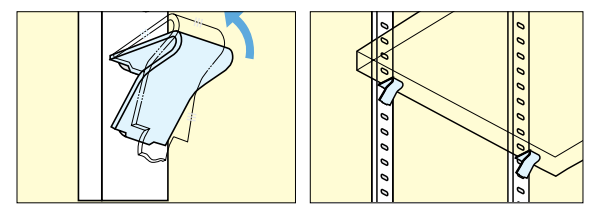
# SHELF SUPPORT

NSF COMPONENT | RoHS compliant | STAINLESS 304 STEEL | LOAD CAPACITY 45 kg 99 lbs | TEST 9 P.471

SPB-20



- Shelf support for SP-1820.



Item No.	Load Capacity	Weight (g)	Box (pcs)	Carton (pcs)
SPB-20	99 lbs (45 kg)/4pcs	3.6	300	3000

Material	Finish
304 Stainless Steel	Satin

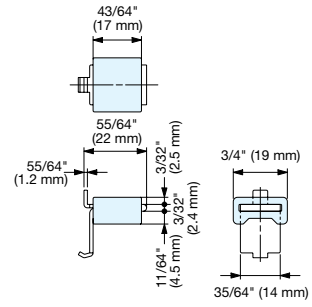
# LEVELING CAP

NSF COMPONENT | RoHS compliant

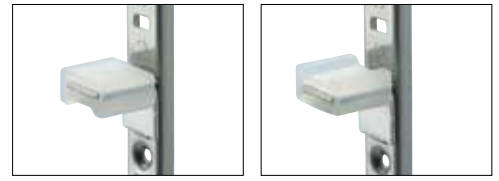
SPF-20LC



Shelf support SPF-20 Sold Separately



- Cap for SPF-20
- Shelf level can be adjusted by flipping over the cap.



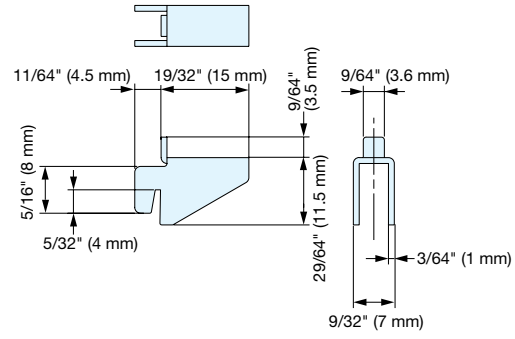
Item No.	Weight (g)	Box (pcs)	Carton (pcs)
SPF-20LC	9.5	200	2000

Material	Color
Silicone	Milky White

# SHELF SUPPORT

NSF COMPONENT | RoHS compliant | STAINLESS 304 STEEL | LOAD CAPACITY 40 kg 88 lbs | TEST 9 P.471

SPH-15



- Shelf support for SPH-1820.

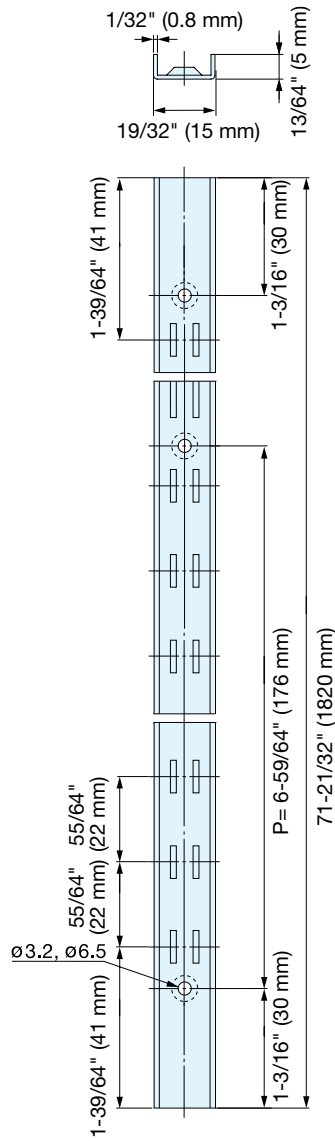
Item No.	Load Capacity	Weight (g)	Box (pcs)	Carton (pcs)
SPH-15	286 lbs (130 kg)/4pcs	2.6	400	4000

Material	Finish
304 Stainless Steel	Satin

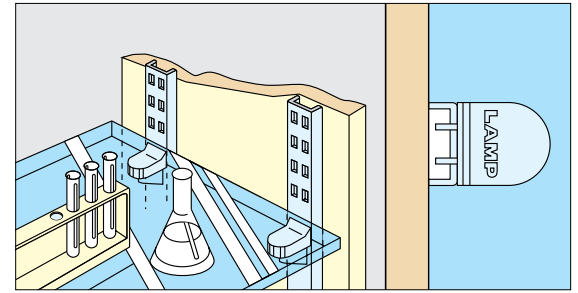
# SHELF STANDARD



# SPH-1820



- Easy height adjustment for changing shelf level.
- Shelf support options:  
SPH-5, SPH-15, SPH-20 (Shelf Supports) SP-18E (End Cap)



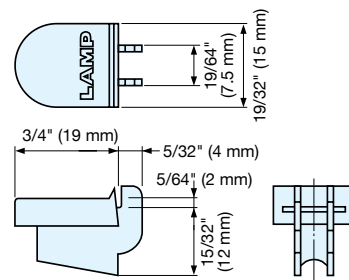
Surface Mount

	Material	Finish
	304 Stainless Steel	Satin
Item No.	Weight (g)	Carton (pcs)
SPH-1820	230	80

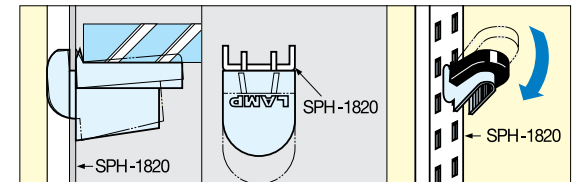
# SHELF SUPPORT



# SPH-20



- Shelf support for SPH-1820.
- Rubber pad provides a gripped surface to reduce slippage.



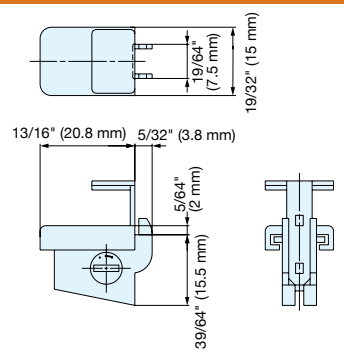
Item No.	Load Capacity	Weight (g)	Box (pcs)	Carton (pcs)
SPH-20	286 lbs (130 kg)/4pcs	4.5	300	3000

Material	Finish/Color
304 Stainless Steel	Satin
Synthetic Rubber Pad	Black

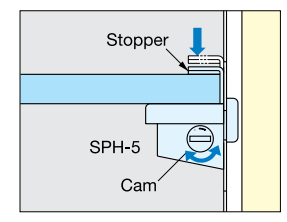
# SHELF SUPPORT (W/HOLDER)



SPH-5



- Shelf support for SPH-1820.
- Shelf support is friction retention.
- Glass thickness: 4 ~ 8 mm (5/32" ~ 5/16") thickness
- Rubber pad provides a gripped surface to reduce slippage.



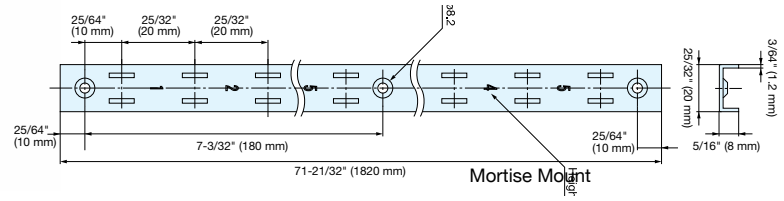
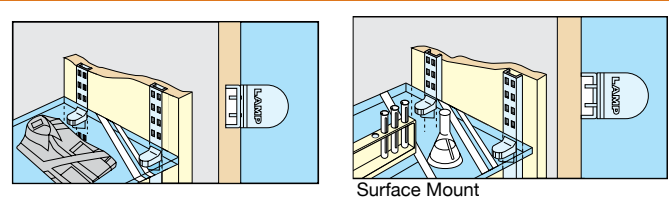
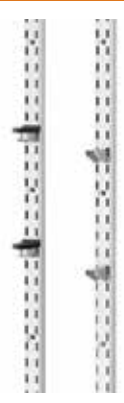
Item No.	Load Capacity	Weight (g)	Box (pcs)	Carton (pcs)
SPH-5	286 lbs (130 kg)/4pcs	8	100	1000

Material	Finish/Color
304 Stainless Steel	Satin
Synthetic Rubber pad	Black

# HEAVY DUTY SHELF STANDARD



SPHL-1820



- Heavy duty shelf standard.
- Easy height adjustment for changing shelf level.
- Shelf support options: SPHL-25, SPHL-30

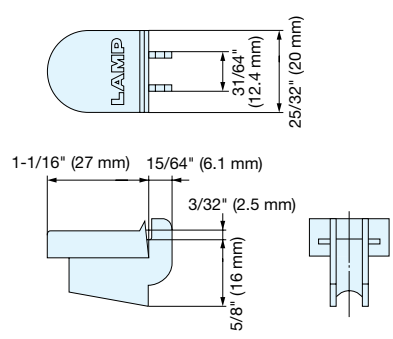
Material	Finish
304 Stainless Steel	Satin

Item No.	Weight (g)	Carton (pcs)
SPHL-1820	500	30

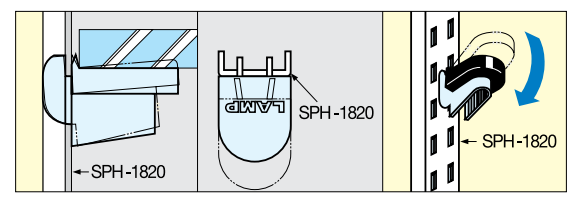
# HEAVY DUTY SHELF SUPPORT



SPHL-30



- Shelf support for SPHL-1820.
- Rubber pad prevents glass shelf from sliding.
- Rubber pad provides a gripped surface to reduce slippage.



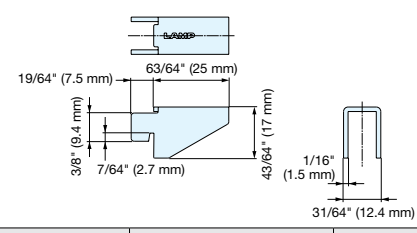
Item No.	Load Capacity (kg)	Weight (g)	Box (pcs)	Carton (pcs)
SPHL-30	330 lbs (150 kg)/4pcs	12	100	1000

Material	Finish/Color
304 Stainless Steel	Satin
Elastomer	Black

# SHELF SUPPORT



SPHL-25



- Shelf support for SPHL-1820.

Item No.	Load Capacity (kg)	Weight (g)	Box (pcs)	Carton (pcs)
SPHL-25	330 lbs (150 kg)/4pcs	11	200	1200

Material	Finish
304 Stainless Steel	Satin

# Grommets & Ventilators

## MULTI-PURPOSE GROMMET



AN-DH, AN-LH

- Corrosion resistant.
- Wide range of sizes and finishes.



AN-DH005-HL



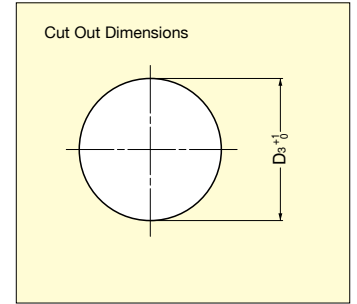
AN-LH008-GP



AN-DH



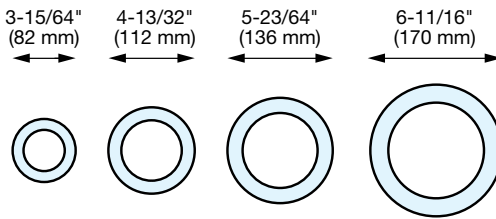
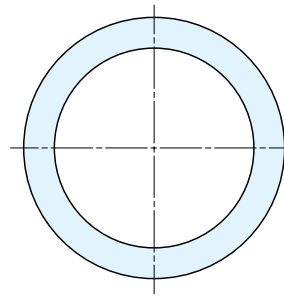
AN-LH



AN-DH011-HL



AN-DH015-HL



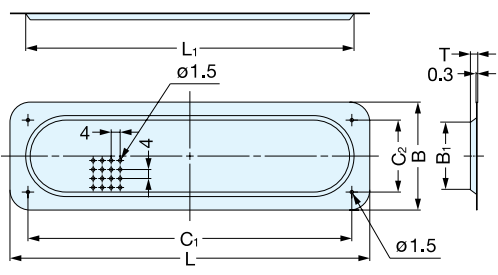
Item No.	A	D <sub>1</sub>	D <sub>2</sub>	D <sub>3</sub>	Material	Finish	Weight (g)
AN-DH005-GP	1-27/64" (36 mm)	3-15/64" (82 mm)	2-9/32" (58 mm)	2-21/64" (59 mm)	304 Stainless Steel	Gold	66
AN-DH005-MR						Mirror	
AN-DH005-HL						Satin	
AN-DH008-GP	4-13/32" (112 mm)	3-15/64" (82 mm)	3-17/64" (83 mm)	Gold		107	
AN-DH008-MR				Mirror			
AN-DH008-HL				Satin			
AN-DH011-GP	1-37/64" (40 mm)	5-23/64" (136 mm)	4-11/64" (106 mm)	4-7/32" (107 mm)		Gold	137
AN-DH011-MR						Mirror	
AN-DH011-HL						Satin	
AN-DH015-GP	1-27/64" (36 mm)	6-11/16" (170 mm)	5-3/14" (146 mm)	5-25/32" (147 mm)	Gold	182	
AN-DH015-MR					Mirror		
AN-DH015-HL					Satin		
Item No.	A	D <sub>1</sub>	D <sub>2</sub>	D <sub>3</sub>	Material	Finish	Weight (g)
AN-LH005-GP	55/64" (22 mm)	3-15/64" (82 mm)	2-9/32" (58 mm)	2-21/64" (59 mm)	304 Stainless Steel	Gold	50
AN-LH005-MR						Mirror	
AN-LH005-HL						Satin	
AN-LH008-GP		4-13/32" (112 mm)	3-15/64" (82 mm)	3-17/64" (83 mm)		Gold	77
AN-LH008-MR						Mirror	
AN-LH008-HL						Satin	
AN-LH011-GP		5-23/64" (136 mm)	4-11/64" (106 mm)	4-7/32" (107 mm)		Gold	92
AN-LH011-MR						Mirror	
AN-LH011-HL						Satin	
AN-LH015-GP	6-11/16" (170 mm)	5-3/14" (146 mm)	5-25/32" (147 mm)	Gold	122		
AN-LH015-MR				Mirror			
AN-LH015-HL				Satin			

VENTILATOR



AST-160, 210

• 1.5 mm (1/16") diameter holes.



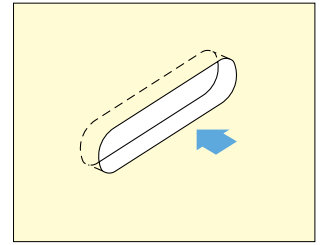
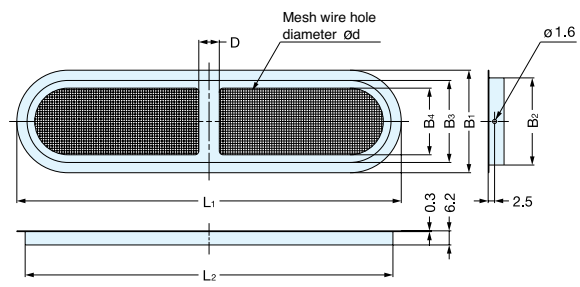
Material	Finish
304 Stainless Steel	Satin

Item No.	L	L <sub>1</sub>	B	B <sub>1</sub>	C <sub>1</sub>	C <sub>2</sub>	T	Holes	Weight (g)	Box (pcs)	Carton (pcs)
AST-160	6-19/64" (160 mm)	5-3/4" (146 mm)	1-57/64" (48 mm)	1-27/64" (36 mm)	5-43/64" (144 mm)	1-17/64" (32 mm)	1/8" (3 mm)	268	18	50	1000
AST-210	8-17/64" (210 mm)	7-23/32" (196 mm)	2-9/32" (58 mm)	1-13/16" (46 mm)	7-41/64" (194 mm)	1-21/32" (42 mm)	5/32" (4 mm)	450	28		200

VENTILATOR



• 0.4mm diameter for mesh wire holes.



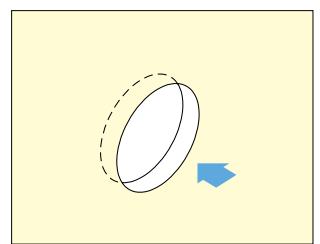
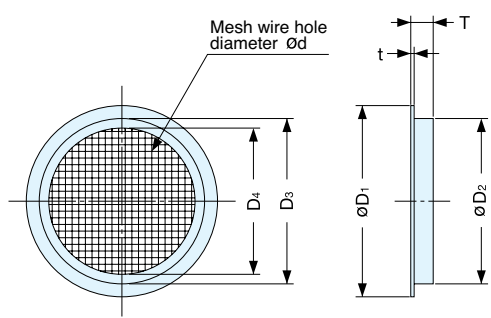
Material	Finish
304 Stainless Steel	Satin

Item No.	L <sub>1</sub>	B <sub>1</sub>	B <sub>3</sub>	B <sub>4</sub>	L <sub>2</sub>	B <sub>2</sub>	D	d	Weight (g)	Box (pcs)	Carton (pcs)
SAD-150	5-29/32" (150 mm)	1-37/64" (40 mm)	1-17/64" (32 mm)	1-1/32" (26 mm)	5-21/32" (143.5 mm)	1-11/32" (34 mm)	5/16" (8 mm)	1/64" (0.4 mm)	18.5	30	600
SAD-200	7-57/64" (200.5 mm)	1-31/32" (50 mm)	1-21/32" (42 mm)	1-3/8" (35 mm)	7-41/64" (194 mm)	1-47/64" (44 mm)	25/64" (10 mm)		30.0		300

VENTILATOR



• 0.4mm diameter for mesh wire holes.



Material	Finish
304 Stainless Steel	Satin

Item No.	D <sub>1</sub>	D <sub>2</sub>	D <sub>3</sub>	D <sub>4</sub>	T	t	d	Weight (g)	Box (pcs)	Carton (pcs)
SAM-37	1-27/64" (36 mm)	1-1/4" (31.5 mm)	1-3/16" (30 mm)	63/64" (25 mm)	13/64" (5.2 mm)	1/64" (0.3 mm)	1/64" (0.4 mm)	4.5	70	1400
SAM-45	1-13/16" (46 mm)	1-41/64" (41.5 mm)	1-37/64" (40 mm)	1-3/8" (35 mm)				6.0	60	1200
SAM-60	2-23/64" (60 mm)	2-7/64" (53.5 mm)	2-3/64" (52 mm)	1-13/16" (46 mm)	1/4" (6.5 mm)	9.5		50	1000	
SAM-85	3-11/32" (85 mm)	3-1/16" (77.8 mm)	3-1/64" (76.5 mm)	2-43/64" (68 mm)	9/32" (7 mm)	16.5		30	600	
SAM-120	4-23/32" (120 mm)	4-23/64" (110.5 mm)	4-1/4" (108 mm)	3-57/64" (99 mm)	9/32" (7.2 mm)	46.5		20	200	

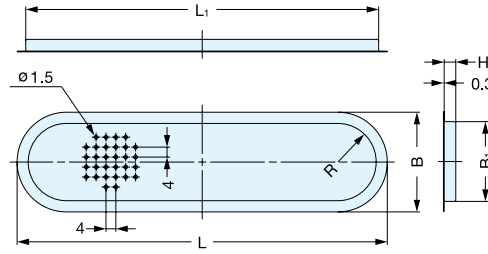


# VENTILATOR

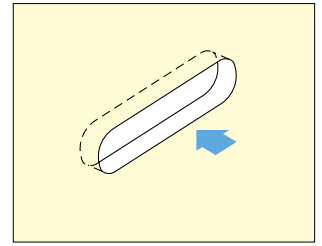


ASD

Grommets & Ventilators



• 1.5 mm (1/16") diameter holes.



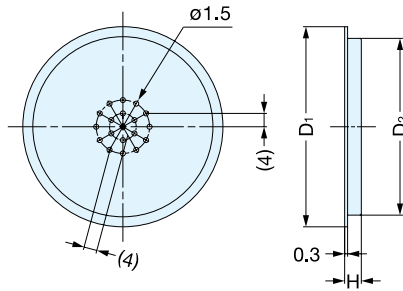
Material	Finish
304 Stainless Steel	Satin

Item No.	L	L <sub>1</sub>	H	B	B <sub>1</sub>	R	Holes	Weight (g)	Box (pcs)	Carton (pcs)
ASD-150	5-29/32" (150 mm)	5-5/8" (143 mm)	13/64" (5 mm)	1-37/64" (40 mm)	1-19/64" (33 mm)	5/8" (16 mm)	268	14.5	80	1920
ASD-200	7-7/8" (200 mm)	7-19/32" (193 mm)		1-31/32" (50 mm)	1-11/16" (42.8 mm)	53/64" (21 mm)	450	23.0	40	960

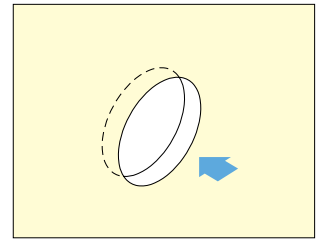
# VENTILATOR



ASM



• 1.5 mm (1/16") diameter holes.



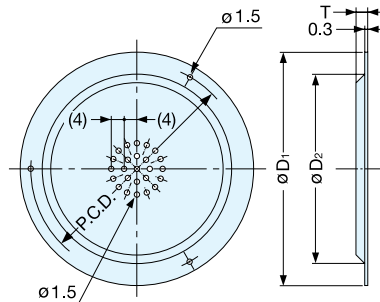
Material	Finish
304 Stainless Steel	Satin

Item No.	D <sub>1</sub>	D <sub>2</sub>	H	Holes	Weight (g)	Box (pcs)	Carton (pcs)
ASM-37	1-27/64" (36 mm)	1-7/32" (31 mm)	11/64" (4.5 mm)	37	3.0	100	3600
ASM-45	1-13/16" (46 mm)	1-39/64" (41 mm)		59	5.0		
ASM-60	2-23/64" (60 mm)	2-3/32" (53 mm)	13/64" (5 mm)	127	8.0		
ASM-85	3-11/32" (85 mm)	3-1/32" (77 mm)		271	13.5	50	1000

# VENTILATOR



AST



• 1.5 mm (1/16") diameter holes.

Material	Finish
304 Stainless Steel	Satin

Item No.	D <sub>1</sub>	D <sub>2</sub>	T	P.C.D.	Holes	Weight (g)	Box (pcs)	Carton (pcs)
AST-45	1-25/32" (45 mm)	1-11/32" (34 mm)	1/8" (3 mm)	1-37/64" (40 mm)	37	4	100	3600
AST-55	2-5/32" (55 mm)	1-47/64" (44 mm)		1-31/32" (50 mm)	59	5		
AST-70	2-3/4" (70 mm)	2-5/32" (55 mm)		2-33/64" (64 mm)	127	9		
AST-100	3-15/16" (100 mm)	3-3/16" (81 mm)	5/32" (4 mm)	3-37/64" (91 mm)	271	19	50	500

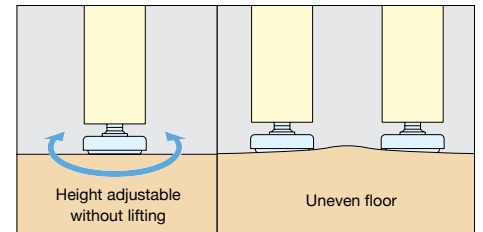
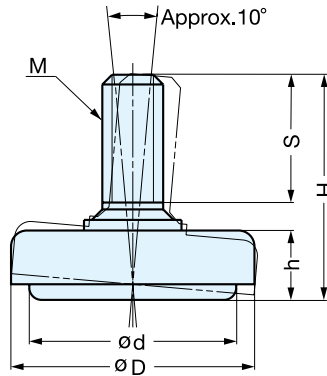


## STAINLESS STEEL LEVELING GLIDE



MKPS

- Double structure of cover/bolt and base allows easy height adjustment without lifting the leg.
- Swivels approximately 10° to compensate for uneven floors.
- 304 stainless steel construction is ideal for humid environments or applications where corrosion is an issue.



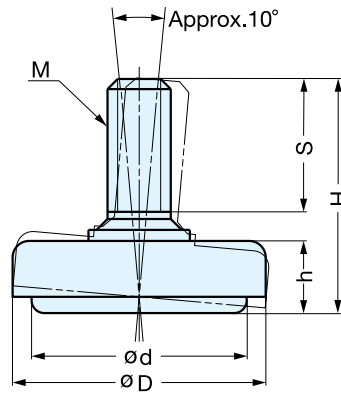
Material	Finish
304 Stainless Steel	Satin

Item No.	M	D	d	H	h	S	Load Capacity	Wt (g)	Box (pcs)	Carton (pcs)
MKPS-32N3	W3/8-16	1-17/64" (32 mm)	1-1/16" (27 mm)	1-27/64" (36 mm)	7/16" (11 mm)	53/64" (21 mm)	440 lbs (200 kg)	50	60	480
MKPS-40N3		1-37/64" (40 mm)	1-11/32" (34 mm)	1-29/64" (37 mm)	29/64" (11.4 mm)		704 lbs (320 kg)	70	40	320
MKPS-50N3		1-31/32" (50 mm)	1-47/64" (44 mm)	1-15/32" (37.5 mm)	29/64" (11.5 mm)		792 lbs (360 kg)	95	30	240
MKPS-60M12	M12 × 1.75	2-23/64" (60 mm)	2-1/8" (54 mm)	2-1/32" (51.5 mm)		1-3/8" (35 mm)	881 lbs (400 kg)	140	15	120

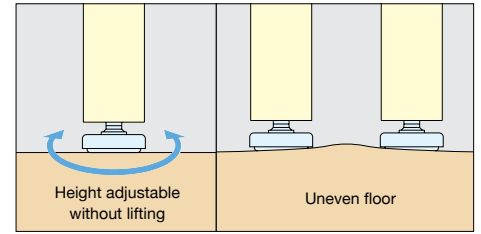
# STAINLESS STEEL LEVELING GLIDE (W/RUBBER PAD)



MKRS



- Leveling glide with elastomer base prevents skidding.
- Double structure of cover/bolt and base allows easy height adjustment without lifting the leg.
- Swivels approximately 10° to compensate for uneven floors.
- 304 stainless steel construction is ideal for humid environments or applications where corrosion is an issue.



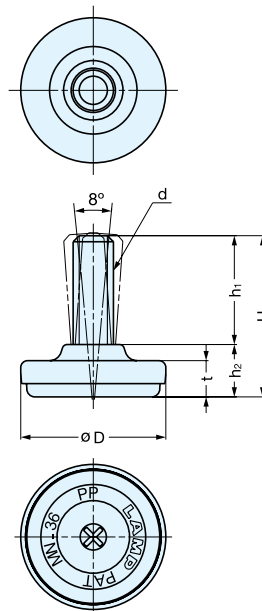
Part Name	Material	Finish
Body	304 Stainless Steel	Satin
Base	Elastomer	Black

Item No.	M	D	d	H	h	S	Load Capacity	Wt (g)	Box (pcs)	Carton (pcs)	
MKRS-32N3	W3/8-16	1-17/64" (32 mm)	1-1/16" (27 mm)	1-27/64" (36 mm)	27/16" (11 mm)	53/64" (21 mm)	88 lbs (40 kg)	50	60	480	
MKRS-40N3		1-37/64" (40 mm)	1-11/32" (34 mm)	1-29/64" (37 mm)	29/64" (11.4 mm)		176 lbs (80 kg)	70	40	320	
MKRS-50N3		1-31/32" (50 mm)	1-47/64" (44 mm)	1-15/32" (37.5 mm)	29/64" (11.5 mm)		220 lbs (100 kg)	90	30	240	
MKRS-32M10	M10	1-17/64" (32 mm)	1-1/16" (27 mm)	1-27/64" (36 mm)	27/16" (11 mm)		29/64" (11.5 mm)	88 lbs (40 kg)	50	60	480
MKRS-40M10		1-37/64" (40 mm)	1-11/32" (34 mm)	1-29/64" (37 mm)	29/64" (11.4 mm)			176 lbs (80 kg)	70	80	320
MKRS-50M10		1-31/32" (50 mm)	1-47/64" (44 mm)	1-15/32" (37.5 mm)	29/64" (11.5 mm)			220 lbs (100 kg)	90	30	240
MKRS-60M12	M12 × 1.75	2-23/64" (60 mm)	2-1/8" (54 mm)	2-1/32" (51.5 mm)	29/64" (11.5 mm)	1-3/8" (35 mm)	220 lbs (100 kg)	150	15	120	
MKRS-70M14	M14 × 2.00	2-3/4" (70 mm)	2-33/64" (64 mm)					200			

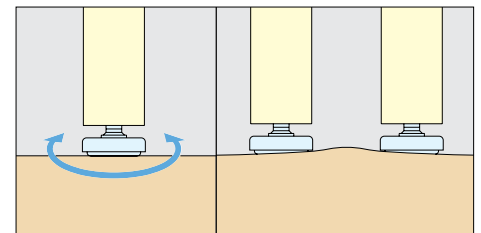
# LEVELING GLIDE



MN



- Easy installation with phillips screw driver.
- Swivels approximately 8° to compensate for uneven floors.
- White polypropylene base to prevent floor damage.



Part Name	Material	Finish
Cover	304 Stainless Steel	Satin
Bolt	Steel	Chrome
Base	Polypropylene	Natural

Item No.	D	H	h <sub>1</sub>	h <sub>2</sub>	t	d	Load Capacity	Wt (g)	Box (pcs)	Carton (pcs)
MN-25	63/64" (25 mm)	1-37/64" (40 mm)	1-1/16" (27 mm)	33/64" (13 mm)	23/64" (9 mm)	W5/16-18	264 lbs (120 kg)	26	100	600
MN-32	1-17/64" (32 mm)					W3/8-16	352 lbs (160 kg)	34	80	480
MN-36	1-27/64" (36 mm)					W3/8-16	352 lbs (160 kg)	39	60	360
MN-40	1-37/64" (40 mm)					W3/8-16	352 lbs (160 kg)	42	50	300
MN-50	1-31/32" (50 mm)					1-31/32" (50 mm)	1-11/32" (34 mm)	5/8" (16 mm)	7/16" (11 mm)	W1/2-12

FOOD + BEVERAGE  
EQUIPMENT APPLICATION

LIT-FOODIND-2023

Sugatsune America  
18101 Savarona Way  
Carson, CA 90746  
1-800-562-5267



[www.sugatsune.com](http://www.sugatsune.com)