

TRANSPORTATION RV & CONVERSIONS



SUGATSUNE

PUSH-TO-OPEN DOOR LATCH

ML-ZN80

The Magnetic Touch

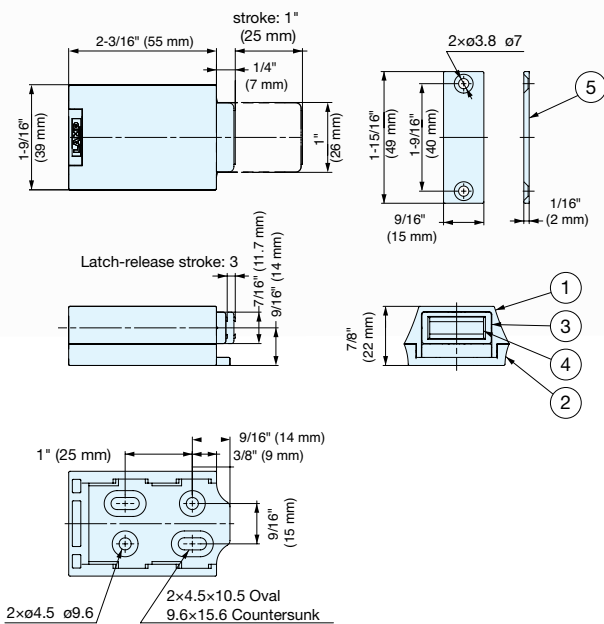
The mighty **ML-ZN80 Push-To-Open Door Latch** featuring a strong 11 lbs push force, ideal for large doors up to 275 lbs, it features a magnet that allows tolerance with 1.5° swivel. The hidden mounting screw design offers a clean appearance and easy two part installation, available in two finishes.

The only Push-To-Open Door Latch of this category, available in the market.



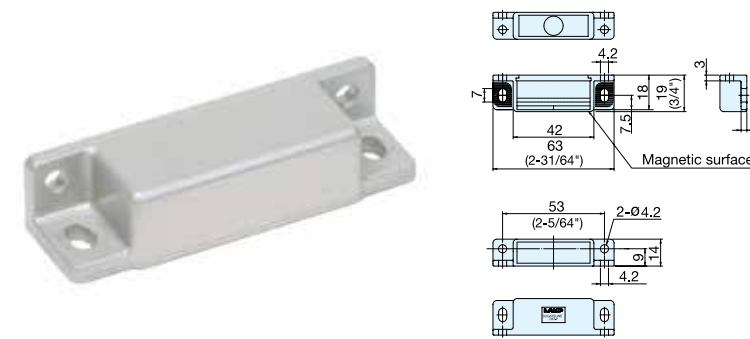
- For doors up to 36" x 96". Ideal for use with the HES3D-E190/W190 Concealed Door Hinge Series.
- Push force of 11 lbs. Can push up to 275 lbs door.
- Hidden Mounting Screw Design for clean appearance and easy installation.
- Passed 100,000 open/close private cycle test.

No.	Part Name	Material	Finish/Color
①	Body	Zinc Alloy	White (WT), Black (BL)
②	Mounting Plate		
③	Latch	Plastic (PA)	-
④	Magnet	Ferrite	-
⑤	Strike Plate	Stainless Steel	Polished

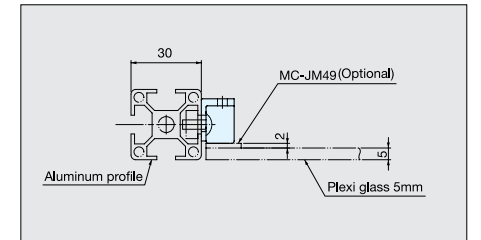


Item No.	Magnetic Force	Push Force	Weight (g)	Max. Door Specs (Reference)			Box (pcs)	Carton (pcs)
				Height	Width	Weight		
ML-ZN80WT	6.6 lbs (3 kg)	11 lbs (5 kg)	160	96-1/16" (2440 mm)	36" (915 mm)	275 lbs. (125 kg)	10	40
ML-ZN80BL								

SEALED MAGNETIC CATCH



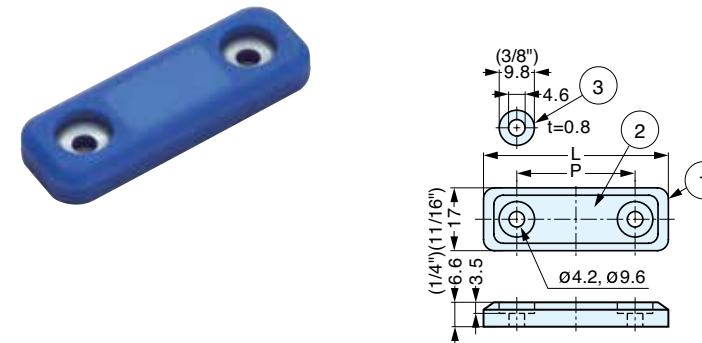
- Hermetically sealed, ideal for high corrosion environments.
- No metal-to-metal contact, ideal for cleanroom applications.
- Strong magnetic force.
- Optional counterplate sold separately:
 - Stainless Steel - MC-JM49, AS-68
 - Plastic Sealed - MC-JMP45



Item No.	Magnetic Force (kg)	Weight (g)	Box (pcs)	Carton (pcs)
MC-JM63G15	1.5 (3.3 lbs)	20	50	500
MC-JM63G30	3.0 (6.6 lbs)			
MC-JM63G50	5.0 (11 lbs)	40		

Part Name	Material	Finish/Color
Body	Polyacetal	Light Grey
Magnet	Neodymium	-

SEALED MAGNETIC CATCH



- Sealed with silicon rubber to reduce noise when door closes.
- Strong magnetic force.
- Optional counterplate sold separately:
 - Stainless Steel - MCJM49, AS-68
 - Plastic Sealed - MC-JMP45
- Screws not included: M4 truss screw recommended.

No.	Part Name	Material	Finish/Color
①	Body	Silicone Rubber	Blue
②	Magnet	Neodymium	Nickel
③	Washer	304 Stainless Steel	Plain

Item No.	L	P	Magnetic Force (kg)	Weight (g)	Box (pcs)	Carton (pcs)
MC-MSH45BU	45 (1-49/64")	27 (1-1/16")	2.0 (4.4 lbs)	12	100	1000
MC-MSH50BU	50 (1-31/32")	32 (1-17/64")	4.0 (8.8 lbs)	15		

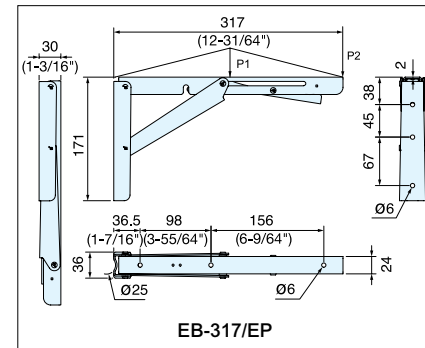
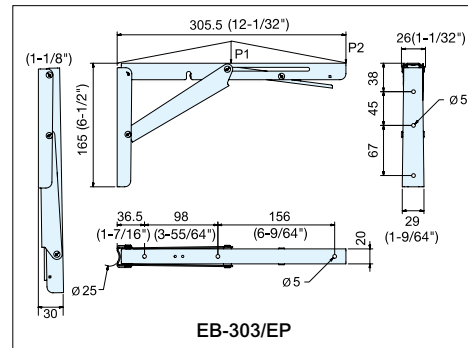
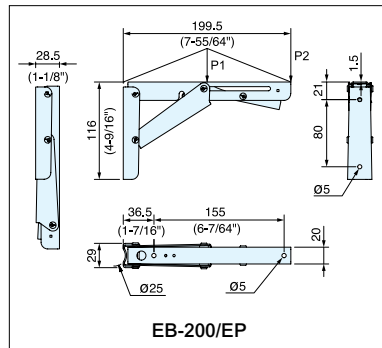
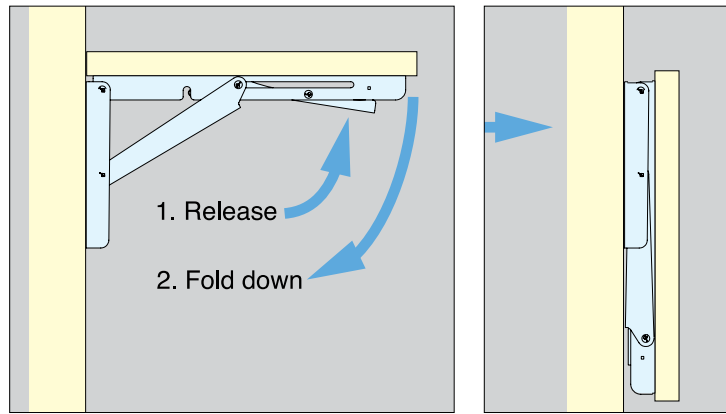


FOLDING BRACKET



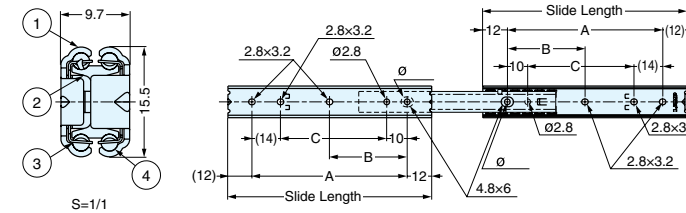
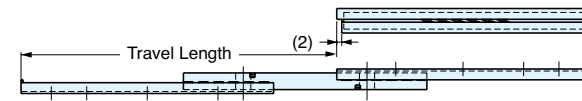
- Automatically locks when flap is in opened position.
- Press lever to release the lock.
- Bracket can be used without the need for hinges.
- Available in 3 different sizes.
- Damper unit EBD available for use with all EB series brackets (sold separately).

Part Name	Material
Main Body	304 Stainless Steel
Plate Spring	
Rivet	



Item No.	Load Capacity P1 (kg)	Load Capacity P2 (kg)	Weight (g)	Carton (pcs)
EB-200/EP	175 (385 lbs)	90 (198 lbs)	330	20
EB-303/EP	150 (330 lbs)	75 (165 lbs)	515	20
EB-317/EP	200 (440 lbs)	100 (220 lbs)	750	20

FULL EXTENSION MINI SLIDE

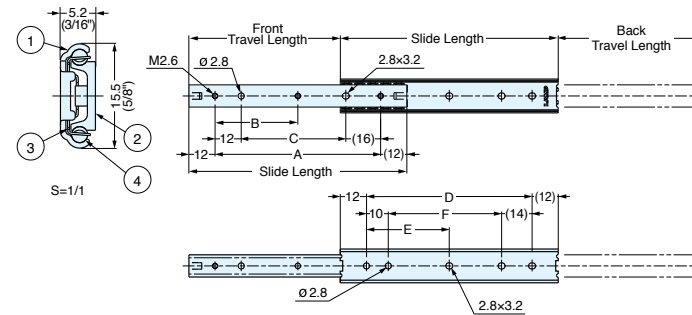


- Full extension.
- High precision design.
- Thin profile for various applications.

No.	Part Name	Material
①	Outer Rail	304 Stainless Steel
②	Inner Rail	
③	Retainer	Steel
④	Balls	

Item No.	Slide Length	Travel Length	A	B	C	Load Rating (lbs/pair)	Weight (g/piece)	Box (pcs)	Carton
SCR3-15-80A	80 (3-1/8")	97 (3-13/16")	56	-	32	22.0	36.0	50	200
SCR3-15-100A	100 (3-15/16")	125 (4-15/16")	76	38	52	24.2	45.0		
SCR3-15-150A	150 (5-7/8")	177 (6-15/16")	126	63	102	26.4	70.0		

3/4 EXTENSION MINI SLIDE (2-WAY)



- Two-way travel.
- Thin profile for various applications.

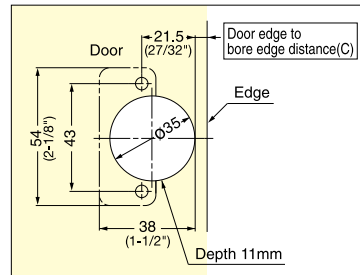
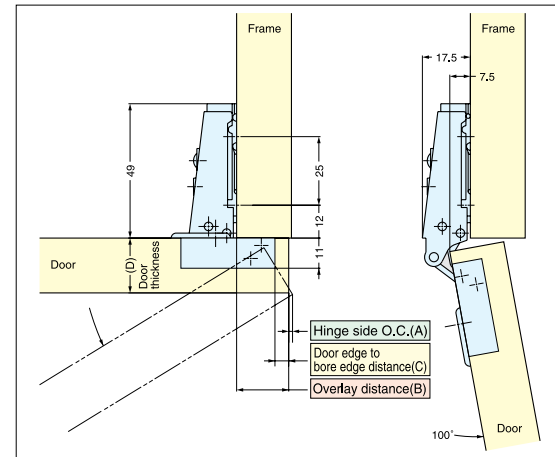
No.	Part Name	Material
①	Outer Rail	304 Stainless Steel
②	Inner Rail	
③	Retainer	Steel
④	Balls	

Item No.	Slide Length	Front Travel Length	Back Travel Length	A	B	C	D	E	F	Load Rating (lbs)	Weight (g/piece)	Box (pcs)	Carton
SCR2-15-80A	80 (3-1/8")	48.5 (1-7/8")	48.5 (1-7/8")	56	-	28	56	-	32	22.0	36	200	400
SCR2-15-100A	100 (3-15/16")	68.5 (2-11/16")	68.5 (2-11/16")	76	38	48	76	38	52	24.2	45		
SCR2-15-150A	150 (5-7/8")	94.5 (3-3/4")	94.5 (3-3/4")	126	63	98	126	63	102	26.4	70	100	200

CONCEALED HINGE (19mm OVERLAY)



304B-46/19, C46/19



Bore Dimensions

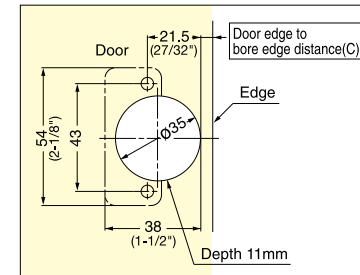
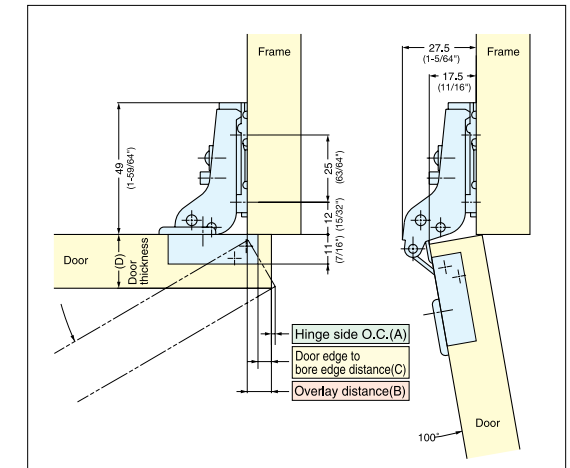
Item No.	Type	Weight (g)	Carton (pcs)
304B-46/19	Free Swinging	60	200
304B-C46/19	Self-Closing		

Material	Finish
304 Stainless Steel	Polished

CONCEALED HINGE (9mm OVERLAY)



304B-46/9, C46/19



Bore Dimensions

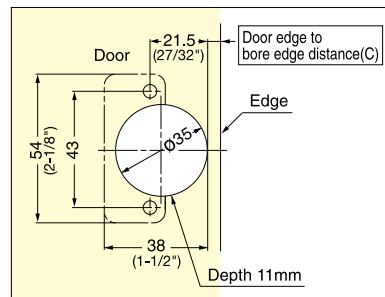
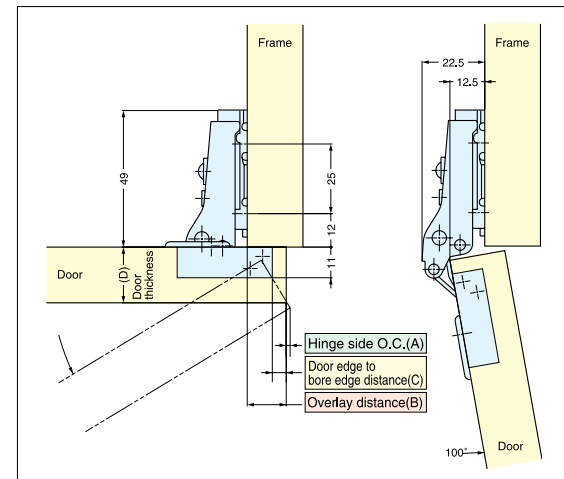
Item No.	Type	Weight (g)	Carton (pcs)
304B-46/9	Free Swinging	60	200
304B-C46/9	Self-Closing		

Material	Finish
304 Stainless Steel	Polished

CONCEALED HINGE (14mm OVERLAY)



304B-46/14, C46/14



Bore Dimensions

Item No.	Type	Weight (g)	Carton (pcs)
304B-46/14	Free Swinging	60	200
304B-C46/14	Self-Closing		

Material	Finish
304 Stainless Steel	Polished

MOUNTING PLATE



304B-P3A, P4A/32, P4A/32-3W

• Mounting plate for 304B hinges.



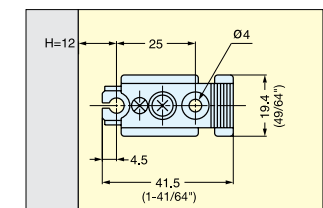
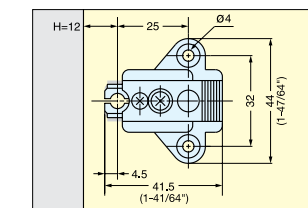
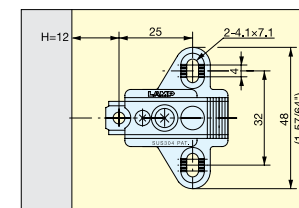
304B-P4A/32-3W



304B-P4A/32



304B-P3A



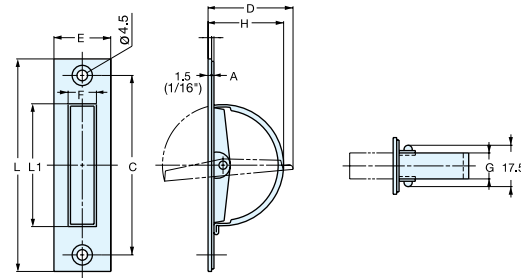
Item No.	Weight (g)	Carton (pcs)
304B-P3A	40	400
304B-P4A/32		
304B-P4A/32-3W		

Material	Finish
304 Stainless Steel	Polished

HATCH PULL



• The handle is concealed when not in use to stay out of the way.



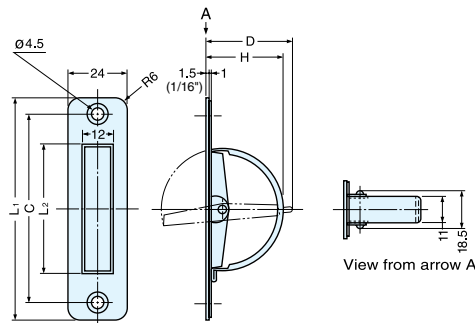
Item No.	L	L ₁	C	H	D	A	E	F	G	Material	Finish
HR-90	90 (3-35/64")	52 (2-3/64")	76 (2-63/64")	32 (1-17/64")	36 (1-27/64")	1.0	24 (15/16")	12.0	11	304 Stainless Steel	Satin
HR-110	110 (4-21/64")	64 (2-33/64")	94 (3-45/64")	38 (1-1/2")	42 (1-21/32")						
HR-135	135 (5-5/16")	90 (3-35/64")	115 (4-17/32")	50 (1-31/32")	55 (2-11/64")	1.2	25 (63/64")	12.2	12		

Item No.	Load Capacity (kg)	Weight (g)	Box (pcs)	Carton (pcs)	Screw
HR-90	13.0 (28.0 lbs)	49	30	300	3.5 x 22
HR-110	10.0 (22.0 lbs)	59	20	200	3.5 x 25
HR-135	7.5 (16.5 lbs)	88	15	150	

HATCH PULL



• The handle is concealed when not in use to stay out of the way.



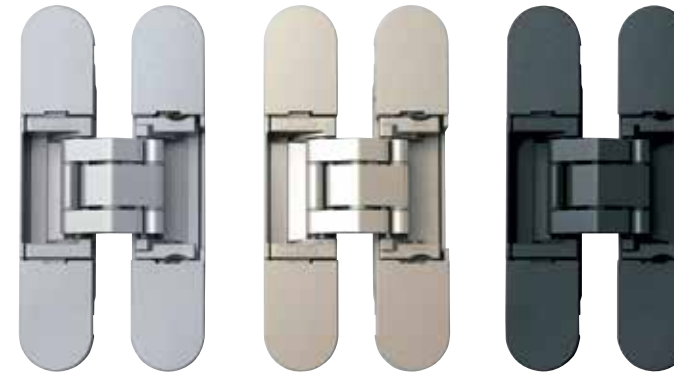
Material	Finish
304 Stainless Steel	Satin

Item No.	L ₁	L ₂	C	H	D	Load Capacity (kg)	Weight (g)	Box (pcs)	Carton (pcs)
HR-90R	90 (3-35/64")	52 (2-3/64")	76 (2-63/64")	32 (1-17/64")	36 (1-27/64")	13 (28 lbs)	46	30	300
HR-110R	110 (4-21/64")	64 (2-33/64")	94 (3-45/64")	38 (1-1/2")	42 (1-21/32")	10 (22 lbs)	55	20	200

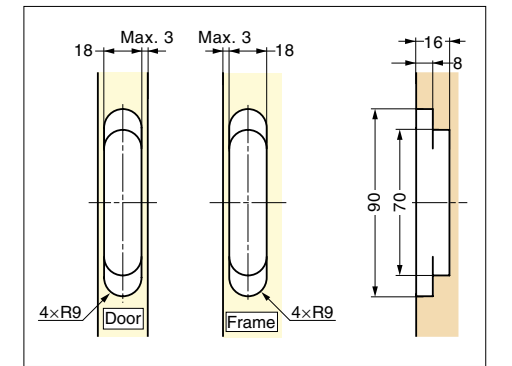
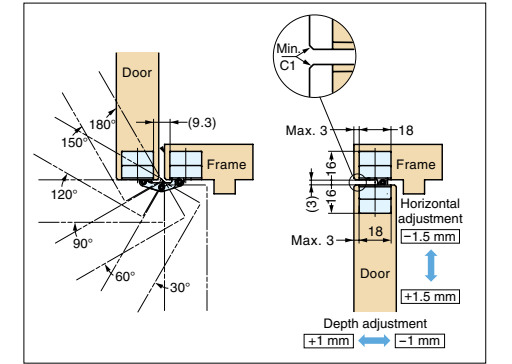
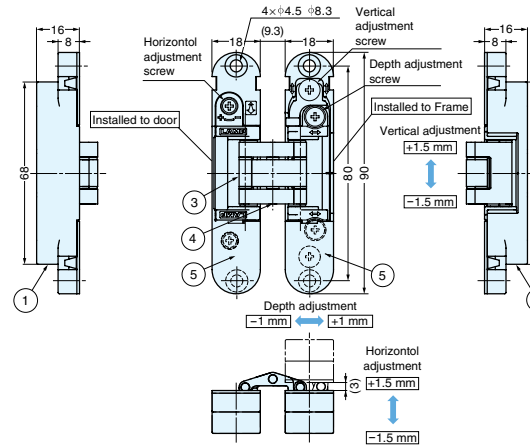
3-WAY ADJUSTABLE CONCEALED HINGE



- 3-WAY adjustment function allows vertical, horizontal, and depth adjustment.
- Covers hide all screw heads for clean appearance.
- Hinge leaves separate for easy installation and adjustment.
- Door weight: Max. 12 kg (26 lbs)/2 pcs, 16 kg (35 lbs)/3 pcs
- Door thickness: Min. 23 mm (15/16")
- Max door size: H 1500 mm x W 600 mm (59-1/16" x 23-5/8")
- Includes steel countersunk wood screws.



HES3D-90DC HES3D-90DN HES3D-90BL



No.	Part Name	Material	Finish/Color		
			DC	DN	BL
①	Body	Zinc Alloy	Dull Chrome	Dull Nickel	Black
②	Base Frame				
③	Arm	Stainless Steel	-	-	-
④	Shaft				
⑤	Cover	ABS	Dull Chrome	Dull Nickel	Black

Item No.	Finish	Min. Door Thickness	Weight (g)	Box (pcs)	Carton (pcs)
HES3D-90DC	Dull Chrome	23 (15/16")	198	2	48
HES3D-90DN	Dull Nickel				
HES3D-90BL	Black				

LIFT-ASSIST LID STAY with soft close (top opening)



ARN-2

- Smooth door movement. It is specially designed for use with the OLYMPIA concealed hinge (360-D26-19).
- The lift-assist function allows for light opening of doors.
- Board thickness Min:9/16" (15mm) ~ Max:7/8" (22mm)
- The free-stop function enables doors to hold in position (30°~Max.).
- The soft-close function makes doors close gently (0°~30° degrees).
- Integrated design combines a concealed hinge and lid stay.
- Closing speed of doors is adjustable.



THE OLYMPIA HINGE
With 5-level damper function, part of the Aileron soft-opening system.

5-speed adjustable soft close.
The first Sugatsune concealed hinge ever built with Lapcon technology.

Components for a single door			
	Aileron	1	
	Mounting plate for Aileron	1	
	Olympia Concealed Hinge	2	
	Mounting plate for Olympia	1	
	Screws	16	
Olympia 8	Aileron 6	Aileron 2	

Lift-assist	Free stop	Soft close
Allows for light opening of doors	Enables doors to hold in position (30°~Max.).	Built-in damper makes doors close slowly.
Light opening	Holds in position	Gently closing

Item No.	Torque (kg-cm)	Board Thickness (mm)	Weight (g)	Box (pcs)	Carton (pcs)
ARN-2-M-S	40.8~61.2 (35.4~53.1 lbs-in)	Min:15mm (9/16") Max: 22mm (7/8")	703	1	10
ARN-2-H-S	61.2~81.6 (53.1~70.8 lbs-in)				

Material	Finish/Color
Steel, Zinc Alloy	Nickel
Plastic	Grey

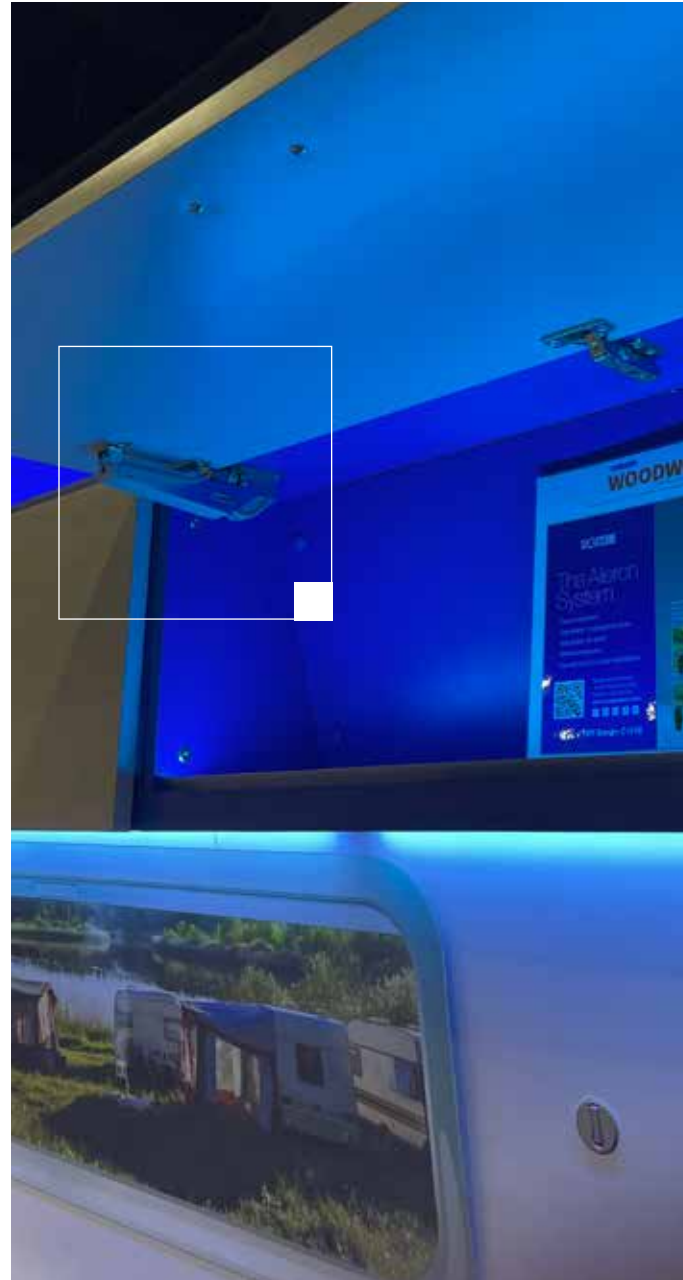


LIFT-ASSIST LID STAY with soft close (upward opening)



ARN-3

- Smooth door movement. It is specially designed for use with the OLYMPIA concealed hinge (360-D26-19).
- The lift-assist function allows for light opening of doors.
- Board thickness Min:9/16" (15mm) ~ Max:7/8" (22mm)
- The free-stop function enables doors to hold in position (30°~Max.).
- The soft-close function makes doors close gently (0°~30° degrees).
- Integrated design combines a concealed hinge and lid stay.
- Closing speed of doors is adjustable.



Components for a single door			
	Aileron	1	
	Mounting plate for Aileron	1	
	Olympia Concealed Hinge	2	
	Mounting plate for Olympia	1	
	Screws	16	
Olympia 8	Aileron 6	Aileron 2	

Lift-assist	Free stop	Soft close
Allows for light opening of doors	Enables doors to hold in position (30°~Max.).	Built-in damper makes doors close slowly.
Light opening	Holds in position	Gently closing

Item No.	Torque (kg-cm)	Board Thickness (mm)	Weight (g)	Box (pcs)	Carton (pcs)
ARN-3-M-S	40.8~61.2 (35.4~53.1 lbs-in)	Min:15mm (9/16") Max: 22mm (7/8")	703	1	10
ARN-3-H-S	61.2~81.6 (53.1~70.8 lbs-in)				

Material	Finish/Color
Steel, Zinc Alloy	Nickel
Plastic	Grey



HOOKS



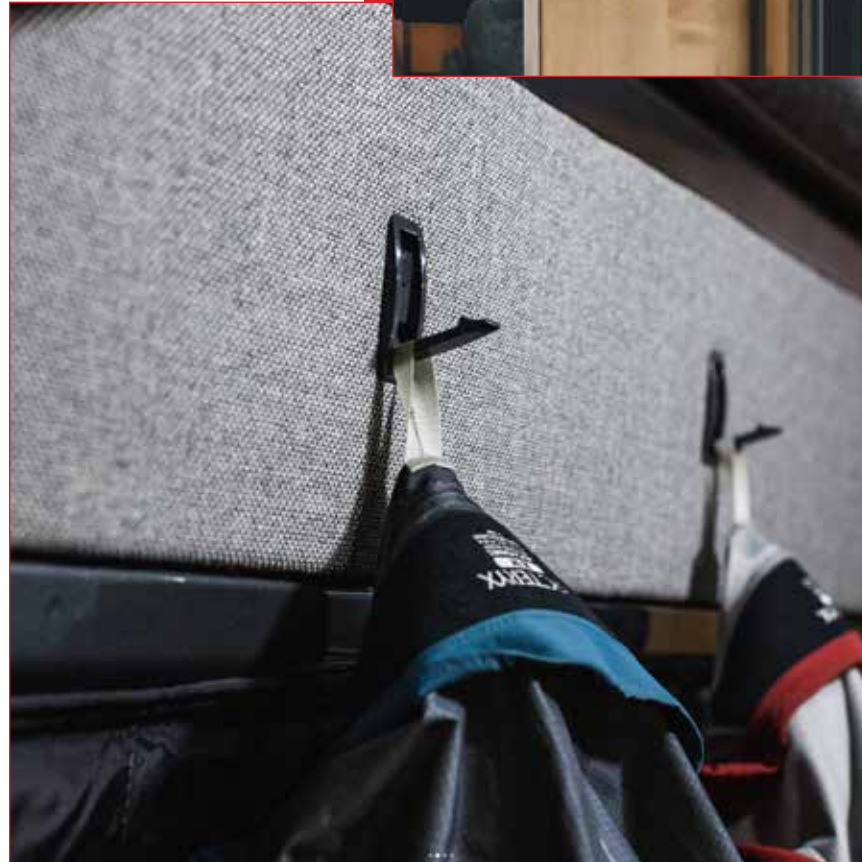
Latch Hooks
EN-R80, EN-K



Recessed Hooks
NF-60D



Recessed Hooks
NF-47



Recessed Hooks
NF-45D (Soft Close)



Fastmount®
Standard Profile



Fastmount®
Textile Clips



Fastmount®
Metal Range Clips



Sugatsune America
18101 Savarona Way,
Carson, CA 90746



sugatsune.com

1.888.557.5267