



CABINET HINGES

BUTT / PIANO HINGES
SPRING / QUICK RELEASE HINGES
LIFT-OFF HINGES
OVERLAY DOOR ANGLE HINGES
PIVOT HINGES
DROP/TABLETOP HINGES
DETENT HINGES
TORQUE HINGES
GLASS SHOWCASE HARDWARE
CONCEALED HINGES

BUTT HINGES

Picture	Item No.	Door Weight (lbs)	Page
	LSA, LSB	13~66	218
	LSK	-	218
	KHA	-	219
	D-S	-	219
	LSF	-	220
	28300, 28400	8.8 / pair	220
	50704, 50706	5.7 / pair	220
	28000, 28500	8.8 / pair	221
	28100	8.8 / pair	221
	27800, 27900	8.8 / pair	221
	HG-BF1	-	222
	HG-P100	-	222
	100 SERIES	-	223

PIANO HINGES

Picture	Item No.	Page
	HG-MH	223
	LSD-30	224
	LSN	224

SPRING / QUICK RELEASE HINGES

Picture	Item No.	Page
	HG-SHL (HIGH DURABILITY TYPE)	225
	HG-SH	225
	SH	225
	HG-OT45	226
	HG-OT75, 100	226
	HG-PV60AC (WELD-ON)	227
	HG-BF3 (W/SPRING)	227

ALUMINUM HINGES

Picture	Item No.	Page
	HG-CV (CLEAN ROOM HINGE)	228
	AS-HG-AL-N (LIFT-OFF HINGE)	228

LIFT-OFF HINGES

Picture	Item No.		Page
	LSX-100		229
	HNH		229
	NH-40		230
	KN		230
	HG-CV65N		231
	200 SERIES		231

OVERLAY DOOR ANGLE HINGES

Picture	Item No.	Max. Door Size (in)/ Max. Door Weight (lbs)	Page
	AHA-24	W 17-3/4" x H 27-9/16" 5.7 / pair	232
	AHB-18	W 17-3/4" x H 27-9/16" 5.7 / pair	232
	AHS	W 17-3/4" x H 27-9/16" 5.7 / pair	233
	AHW	W 17-3/4" x H 27-9/16" 5.7 / pair	233

PIVOT HINGES

Picture	Item No.		Max. Door Size (in)/ Max. Door Weight (lbs)	Page
	GP-40 (GLASS DOOR)		W 17-3/4" x H 27-9/16" x t 5/16" 8.8 / pair	234
	PL-60 (OVERLAY DOOR)		W 17-3/4" x H 27-9/16" x t 7/8" 5.7 / pair	234
	PL-65 (OVERLAY DOOR)		W 17-3/4" x H 27-9/16" x t 7/8" 8.8 / pair	235
	PL-100 (OVERLAY DOOR)		W 23-5/8" x H 29-1/2" 13.2 / pair	235
	WP (OVERLAY DOOR)		"W 11-13/16" x H 27-9/16" 3.9 / pair"	236
	PAS (OVERLAY DOOR)		W 17-3/4" x H 27-9/16" 5.7 ~ 8.8 / pair	236
	PP (INSET DOOR)		W 17-3/4" x H 27-9/16" 5.7 / pair	237
	PH (INSET DOOR)		W 17-3/4" x H 27-9/16" 5.7 ~ 8.8 / pair	237
	PAW (INSET DOOR)		W 17-3/4" x H 27-9/16" 5.7 ~ 8.8 / pair	237

MISCELLANEOUS HINGES

Picture	Item No.		Max. Door Size (in)/ Max. Door Weight (lbs)	Page
	SDH-001		Max. W 35-1/2" x H20" x t 3/4" / 2 pcs Max. W 47-1/4" x H20" x t 3/4" / 3 pcs	238
	SDH-P		Max. W 35-7/16" x H19-11/16" x t 3/4" / 2 pcs Max. W 47-1/4" x H19-11/16" x t 3/4" / 3 pcs	238
	SMH-30, 40		W 17-3/4" x H 27-9/16" x t 53/64" 8.8 / pair	239
	SMH-83		W 17-3/4" X H 27-9/16" X t 53/64" 8.8 / pair	239
	MA-5		W 17-3/4" x H 27-9/16" x t 53/64" 8.8 / pair	239
	CH-75		-	240
	HG-BH		W 17-3/4" x H 27-9/16" 5.7 / pair	240

DETENT HINGES

Picture	Item No.	Max. Door Specification	Page
	HG-CSH63	Max holding 8.8 in-lbs force	241
	HG-YJ50	Max holding 4.3 in-lbs force	242
	HG-YC105	Max holding 10.4 in-lbs force	242
	HG-MPS2	2.2 lbs / pair	243

TORQUE HINGES / DAMPERS

Picture	Item No.	Torque (lbs-in)	Page
	HG-TQA (1-WAY TORQUE HINGES)	79.7 / pair	245
	HG-TQJ100 (1-WAY TORQUE HINGES)	0~88.7 / pc	246
	HG-ITJ4080 (ADJUSTABLE TORQUE HINGE)	35.6~71.2 / pc	247
	HG-TP	17.6-40 / pc	247.1
	HG-IT	21.7~60.8 / pc	248
	HG-KNT (LIFT-OFF TORQUE HINGE)	2.5~13.0 / pc	248
	HG-TS	3.1 ~ 13.3 / pc	249
	HG-DTA (DETENT TORQUE HINGES)	3.55 ~ 7.10 / pc	249
	SFTH	4.3~50.3 / pc	250
	HG-VH8 (COMBINATION HINGES)	0~3.10 / pc	250
	HG-TLS30-50-300		250.1
	HG-T30S15	Tilt: 26.5 in-lbs Swivel: 13 in-lbs	251
	HG-T70S30	Tilt: 62 in-lbs Swivel: 26.6 in-lbs	251
	HG-TA	17.7~39.8 / pc	252
	HG-TB	17.7~39.8 / pc	252

Picture	Item No.	Torque (lbs-in)	Page
	HG-TMH		252.1
	HG-S (SWIVEL TORQUE HINGE)	6.2~62.1 / pc	253
	HG-TU (HIDDEN TORQUE HINGES)	3.1~6.2 / pc	253
	HG-TUWA (CONCEALED TORQUE HINGE)	6.2-13.2 / pc	253.1
	UDH-14 (TORQUE DAMPER)	4.4~22 / pc	254
	UDH, UDH-16, UDH-16N (TORQUE DAMPER)	8.8~34 / pc	255
	HG-JHM9	0.48~0.77 / pair	257
	HG-JHW16S	17-44 / pc	257
	HG-JHS9	0.24~0.38 / pc	258
	HG-JHM14	4.3~17 / pc	259
	UKZ14	-	259
	URD8-3	0.19~0.26 / pc	260
	MPH	-	260
	HG-JH14-50	26~44 / pair	261
	HG-JH	27~61 / pair	261
	HG-JHM16	17.4~43.4 / pair	262
	HG-JHM20	53~70.8 / pair	263
	HG-JHW / HG-JHWG	53~124 / pair	264
	HG-JH210 (LIFT ASSIST HINGE)	182 / pc	265
	HG-JHM20T (DAMPER HINGE)	53.1~70.8	265.1
	HG-JV65 (HOR. SOFT-CLOSE HINGE)		265.2

GLASS SHOWCASE HARDWARE

HINGES

CABINET HINGES

Picture	Item No.	Max. Door Size (in)/Max. Door Weight (lbs)	Page
	GS-GH5 (Hinge)	W 17-3/4" x H 23-5/8" x t 1/4" 11 lbs / pair	267
	GS-GB5 (Bracket)	-	267
	GS-GL5 (Million Lock)	-	268
	GS-GH20, GS-GH50 (Hinges)	-	269
	GS-GB20 (Bracket)	-	269.1
	GS-GL20, GS-GL50 (Lock)	-	269.2 270
	XL-GC04-C (Hinge)	W 19-11/16" x H 47-1/4" x t 5/16" 26.5 / Door	272
	XL-GC05-C (Bracket)	-	272
	XL-GC07-C (Hinge)	W 19-11/16" x H 47-1/4" x t 5/16" 26.5 / Door	272
	XL-GH03-48-0	W 25-19/32" x H 35-7/16" x t 5/16" 26.4 / pair	273
	XL-GH03-48-8	W 25-19/32" x H 35-7/16" x t 5/16" 26.4 / pair	273
	XL-GH01-600	W 17-23/32" x H 51-3/16" x t 1/4" 22 / pair	274
	XL-GH01-250	W 15-3/4" x H 23-5/8" x t 1/4" 10.5 / pair	274
	GH-450	W 23-5/8" x H 47" x t 5/16" 33 / pair	275
	GH-450G	W 23-5/8" x H 47" x t 5/16" 33 / pair	275
	GH-456C	W 23-5/8" x H 47" x t 5/16" 33 / pair	276
	GH-456N	W 23-5/8" x H 47" x t 5/16" 33 / pair	276
	GH-34/0/S	W 17-3/4" x H 27-9/16" x t 1/4" 8.8 / pair	277
	GH-34/8/S	W 17-3/4" x H 27-9/16" x t 1/4" 8.8 / pair	277
	GH-34/0	W 17-3/4" x H 27-9/16" x t 1/4" 8.8 / pair	278
	GH-34/8	W 17-3/4" x H 27-9/16" x t 1/4" 8.8 / pair	278
	GH-34-0CR-K	W 17-3/4" x H 27-9/16" x t 1/4" 8.8 / pair	279
	GH-34-8CR-K	W 17-3/4" x H 27-9/16" x t 1/4" 8.8 / pair	279
	GHC-34/8	W 17-3/4" x H 27-9/16" x t 1/4" 8.8 / pair	280
	GHC-34-8CR-K	W 17-3/4" x H 27-9/16" x t 1/4" 8.8 / pair	280
	GH-36/NCR	W 17-3/4" x H 27-9/16" x t 1/4" 8.8 / pair	281

CONCEALED HINGES

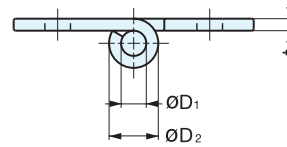
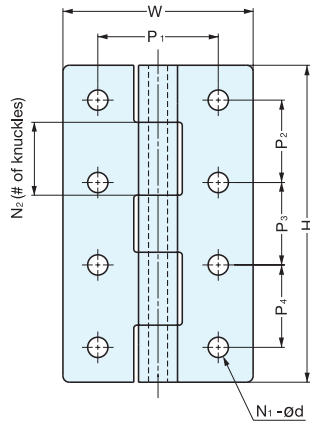
Picture	Item No.	Max. Door Size (in)/ Max. Door Weight (lbs)	Page
	T-90-200	-	281
	J95 (HEAVY DUTY TYPE)	W 31-1/2" x t 1-3/16", 55lbs / 2 pcs W 35-7/16" x t 1-3/16", 88 lbs / 3 pcs	282~ 287
	J95-P6T	-	288
	J95ZC-GR/NI/BC	-	288
	J95SC-GR/NI/BC	-	288
	GH-J95FP (GLASS FACEPLATE FOR J95)	-	288.1
	GH-J95FP-Q1 (GLASS FACEPLATE FOR J95)	-	288.1
	DSR213-2330 (DOOR STRAIGHTENER)	-	289
	DSR423-2300 (DOOR STRAIGHTENER)	-	289.1
	DSR403-2300 (DOOR STRAIGHTENER)	-	289.1
	H95TS	-	290
	H95TM	-	291
	HT-160T	-	292
	OLYMPIA Concealed Cup Hinge with Adjustable Soft Close		293
	G230-32/19T, C32/19T	-	294
	G230-32/9T, C32/9T	-	294
	G230-32/0T, C32/0T	-	295
	G230-FP	-	295
	304B-46/19, C46/19	W 17-3/4" x H 94-1/2" x t 3/4", 28.5 lbs / 5 pcs	296
	304B-46/14, C46/14	W 17-3/4" x H 94-1/2" x t 3/4", 28.5 lbs / 5 pcs	296
	304B-46/9, C46/9	W 17-3/4" x H 94-1/2" x t 3/4", 28.5 lbs / 5 pcs	297
	304B-P3A	-	297
	304B-P4A/32	-	297
	304B-P4A/32-3W	-	297
	230-26/19T, C26/19T	W 24" x H 94-1/2" x t 3/4", 28.5 lbs / 5 pcs	298
	230-26/9T, C26/9T	W 24" x H 94-1/2" x t 3/4", 28.5 lbs / 5 pcs	298

Picture	Item No.	Max. Door Size (in)/ Max. Door Weight (lbs)	Page
	230-26/0T, C26/0T	W 24" x H 94-1/2" x t 3/4", 28.5 lbs / 5 pcs	299
	230-P4W-32T	-	299
	230-P4W-32T+2	-	299
	230-P4W-32T+5	-	299
	230-U26/19T	-	300
	230-U26/9T	-	300
	230-U26/0T	-	301
	H230-26/26T, C26/26T	W 24" x H 94-1/2" x t 1-3/16", 40 lbs / 5 pcs	302
	H230-26/16T, C26/16T	W 24" x H 94-1/2" x t 1-3/16", 40 lbs / 5 pcs	302
	H230-26/0T, C26/0T	W 24" x H 94-1/2" x t 1-3/16", 40 lbs / 5 pcs	303
	230-SCA/19	-	304
	230-SCA/9	-	305
	H160-34/28, H160-C34/28	W 19-11/16" x H 94-1/2" x t 1-11/32", 44 lbs / 5 pcs	306
	H160-34/23, H160-C34/23	W 19-11/16" x H 94-1/2" x t 1-11/32", 44 lbs / 5 pcs	306
	H160-34/18, H160-C34/18	W 19-11/16" x H 94-1/2" x t 1-11/32", 44 lbs / 5 pcs	307
	H160-34/0, H160-C34/0	W 19-11/16" x H 94-1/2" x t 1-11/32", 44 lbs / 5 pcs	307
	100-04A-W-32	-	307
	RK-50	W 17-23/32" x H 27-9/16", 5.7 lbs / 2 pcs	308
	HES3D-70	W 23-5/8" x H 47-1/4", 19.8 lbs / 2 pcs W 23-5/8" x H 47-1/4", 26.4 lbs / 3 pcs	309
	HES3D-90	W 23-5/8" x H 59", 26 lbs / 2 pcs W 23-5/8" x H 59", 35 lbs / 3 pcs	310
	HES3D-G90BKT	W 23-5/8" x H 39-3/8", 26 lbs / 2 pcs W 23-5/8" x H 59", 35 lbs / 3 pcs	311
	R SERIES	-	312
DAMPERS			
Picture	Item No.	Page	
	230-SCA/19	304	
	230-SCA/9	305	

BUTT HINGE



LSA, LSB



• Available as a weld-on type without holes (LSA) or screw-on type with holes (LSB).
Note: Screw holes for LSB Series are not countersunk.

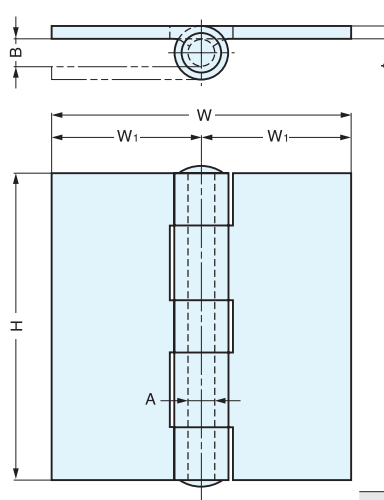
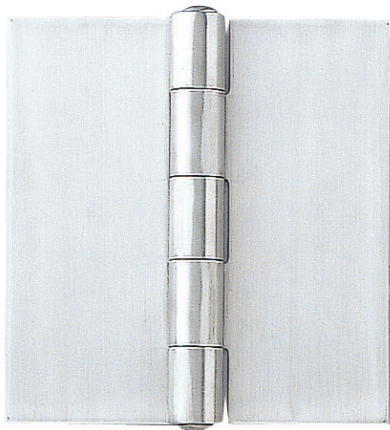
Material	Finish
304 Stainless Steel	Mirror

Item No.	Holes	H	W	P ₁	P ₂	P ₃	P ₄	t	d	D ₁	(D ₂)	N ₁	N ₂	Door Weight (kg/pair)	Weight (g)	Box (pcs)	Carton (pcs)		
LSA-40	Without Holes	40 (1-37/64")	35 (1-3/8")	-	-	-	-	1.5	-	3.0	6.3	-	3	6 (13 lbs/pair)	25	20	500		
LSA-50		50 (1-31/32")		-	-	-	-	-	-	-	-	-	-	8 (17 lbs/pair)	30				
LSA-65		65 (2-9/16")	50 (1-31/32")	-	-	-	-	2.0	-	4.5	8.8	-	5	13 (28 lbs/pair)	66				
LSA-75		75 (2-61/64")		-	-	-	-	-	-	-	-	-	-	15 (33 lbs/pair)	76				
LSA-90		90 (3-35/64")		-	-	-	-	-	-	-	-	-	-	25 (55 lbs/pair)	190				
LSA-100	100 (3-15/16")	60 (2-23/64")	-	-	-	-	3.0	-	6.0	12.3	-	-	30 (66 lbs/pair)	200	10	100			
LSB-40	With Holes	40 (1-37/64")	35 (1-3/8")	22	26	-	-	1.5	3.2	3.0	6.3	4	3	6 (13 lbs/pair)	25	20	500		
LSB-50		50 (1-31/32")		34	-	-	-	4.3	-	-	-	-	-	8 (17 lbs/pair)	30				
LSB-65		65 (2-9/16")	50 (1-31/32")	30	23	23	-	2.0	-	4.5	8.8	-	5	13 (28 lbs/pair)	64				
LSB-75		75 (2-61/64")		27	27	-	5.3	-	-	-	-	-	-	15 (33 lbs/pair)	74				
LSB-90		90 (3-35/64")		35	35	-	-	-	-	-	-	-	-	25 (55 lbs/pair)	180				
LSB-100		100 (3-15/16")	60 (2-23/64")	38	26	26	26	3.0	6.4	6.0	12.3	8	-	30 (66 lbs/pair)	195			10	100

STAINLESS STEEL WELD-ON HINGE



LSK



• Available as weld-on type without holes only. For screw-on type butt hinges, please see 3535 and 4040 Series hinges (P.192).

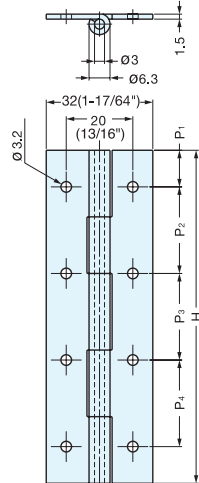
Material	Finish
304 Stainless Steel	Satin

Item No.	H	W ₁	W	A	B	t	Weight (g)	Box (pcs)	Carton (pcs)
LSK-1157-1	51 (2")	25.0	50 (2")	6	6	2.5	76	10	250
LSK-1157-2	64 (2-1/2")	32.0	64 (2-1/2")	7	7	3.0	141		150
LSK-1157-3	76 (3")	37.0	74 (2-15/16")				188		100
LSK-1157-4	89 (3-1/2")	43.5	87 (3-3/8")	8	8		257		80
LSK-1157-5	101.6 (4")	49.5	99 (3-7/8")			417	50		
LSK-1157-6	127 (5")	59.5	119 (4-43/64")	11	11	4.0	681	6	30
LSK-1157-7	152 (6")	71.5	143 (5-5/8")	12	12	-	928	4	20

BUTT HINGE



KHA



KHA-100C shown

• Screw holes are not countersunk.

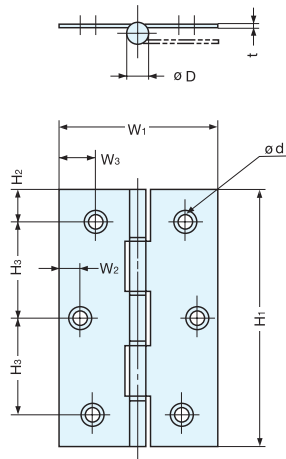
Material	Finish
304 Stainless Steel	Polished

Item No.	H	P ₁	P ₂	P ₃	P ₄	Knuckles	Weight (g)	Box (pcs)	Carton (pcs)
KHA-25C	25 (63/64")	6.0	13	-	-	3	13	200	800
KHA-30C	30 (1-3/16")	7.0	16	-	-		16		
KHA-40C	40 (1-37/64")	8.0	24	-	-		21	150	600
KHA-50C	50 (1-31/32")	10.0	30	-	-		26		
KHA-60C	60 (2-23/64")	8.0	22	22	-	5	31	100	400
KHA-65C	65 (2-9/16")	8.5	24	24	-		34		
KHA-75C	75 (2-61/64")	9.5	28	28	-		39	50	200
KHA-80C	80 (3-5/32")	10.0	30	30	-		42		
KHA-90C	90 (3-35/64")		35	35	-		47		
KHA-100C	100 (3-15/16")	11.0	26	26	26		52		

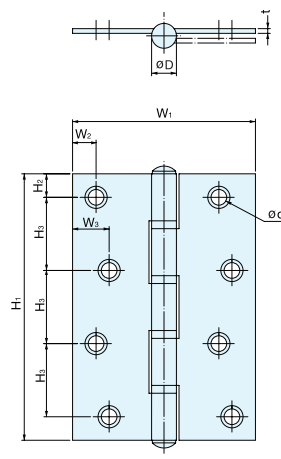
BUTT HINGE (W/BUSHING)



D-S

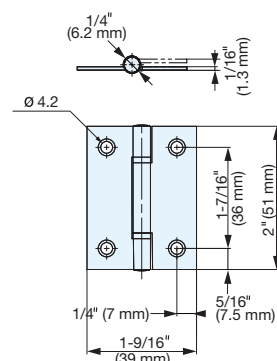


D-S-51-89A



D-S-102A/127A

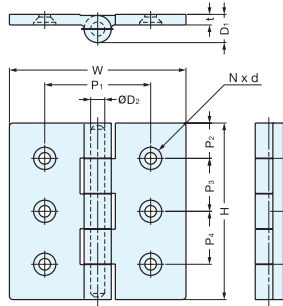
• Stainless steel hinge with polyacetal bushing.



Part Name	Material	Finish
Body	304 Stainless Steel	Satin
Bushing	Polyacetal	Natural

Item No.	H ₁	H ₂	H ₃	W ₁	W ₂	W ₃	D	t	d	Knuckles	Holes	Weight (g)	Box (pcs)	Carton (pcs)
D-S- 51A	51 (2-1/64")	7.5	36	39.0 (1-17/32")	-	7.0	6.2	1.3	4.2	3	4	27.4	20	1000
D-S- 64A	64 (2-33/64")	7.0	25	42.5 (1-43/64")	6.0	8.0			5.0			36.5		
D-S- 76A	76 (2-63/64")	9.0	29	50.0 (1-31/32")	7.0	9.0			7.4			1.5	5.2	6
D-S- 89A	89 (3-1/2")	10.5	34	56.5 (2-7/32")	7.5	10.5	9.0	1.8	5.4	5	6	91.6	10	280
D-S-102A	102 (4-1/64")	9.0	28	70.0 (2-3/4")	9.0	14.0	9.5		6.0			132.5		
D-S-127A	127 (5")	11.0	35	82.0 (3-15/64")	10.5	16.0	11.5		6.0			231.5	6	120

BUTT HINGE



LSF-100 shown

• 316 Stainless Steel construction ideal for harsh and highly corrosive environments.

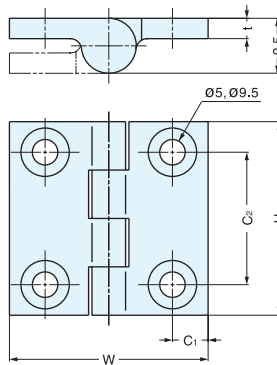
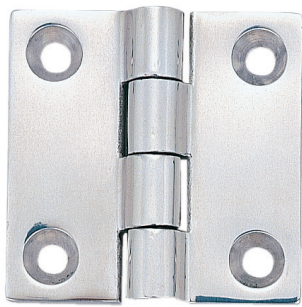
Material	Finish
316 Stainless Steel	Mirror

Item No.	H	W	P ₁	P ₂	P ₃	P ₄	t	D ₁	D ₂	Knuckles	N	d	Weight (g)	Box (pcs)	Carton (pcs)
LSF-50	50 (1-31/32")	50	35	15.0	20	-	5	14	6	3	4	M4	110	20	100
LSF-65	65 (2-9/16")	65	40	-	35	-	-	-	-	-	-	M5	190	-	80
LSF-75	75 (2-61/64")	75	50	17.5	40	-	6	16	8	-	-	M6	305	10	50
LSF-100	100 (3-15/16")	100	60	20.0	30	30	6	16	8	5	6	M6	500	-	30

BUTT HINGE



28300, 28400



• 316 Stainless Steel construction ideal for harsh and highly corrosive environments.
 • Door weight: Max. 4 kg/pair (8.8 lbs/pair)
 • Door size: Max. W450 × H700 × t21 mm (W17-3/4" × H27-9/16" × t13/16")

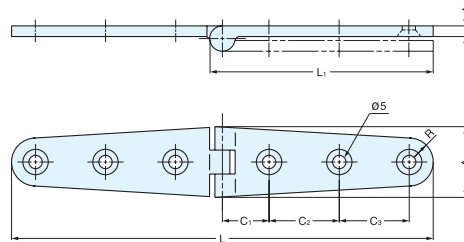
Material	Finish
316 Stainless Steel	Mirror

Item No.	H	W	t	C ₁	C ₂	Weight (g)	Box (pcs)	Carton (pcs)
28300	38 (1-1/2")	39 (1-17/32")	4	7.0	26	55	20	100
28400	50 (1-31/32")	50 (1-31/32")		7.5	34	90		

LEAF HINGE



50704, 50706



• 316 Stainless Steel construction ideal for harsh and highly corrosive environments.
 • Door weight: Max. 2.6 kg/pair (5.7 lbs/pair)

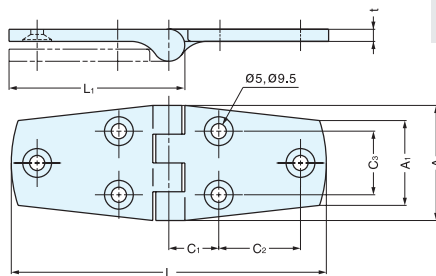
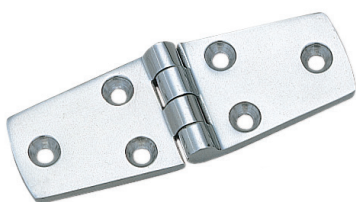
Material	Finish
316 Stainless Steel	Mirror

Item No.	L	L ₁	C ₁	C ₂	C ₃	A	R	t	Holes	Weight (g)	Box (pcs)	Carton (pcs)
50704	105 (4-9/64")	57	17.5	25	-	26.5 (1-3/64")	9	4	4	75	20	100
50706	158 (6-7/32")	84	19.5		25				6	115		

BUTT HINGE



28000, 28500



- 316 Stainless Steel construction ideal for harsh and highly corrosive environments.
- Door weight: Max. 4 kg/pair (8.8 lbs/pair)
- Door size: Max. W450 × H700 × t21 mm (W17-3/4" × H27-9/16" × t13/16")

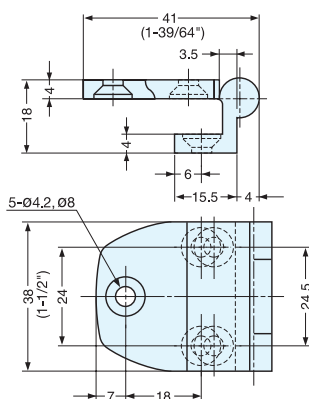
Material	Finish
316 Stainless Steel	Mirror

Item No.	L	L ₁	C ₁	C ₂	C ₃	A	A ₁	t	Weight (g)	Box (pcs)	Carton (pcs)
28500	74 (2-29/32")	42	13.0	17	20	38 (1-1/2")	28	4	85	20	100
28000	104 (4-3/32")	57	16.5	27	21				115		

BUTT HINGE



28100



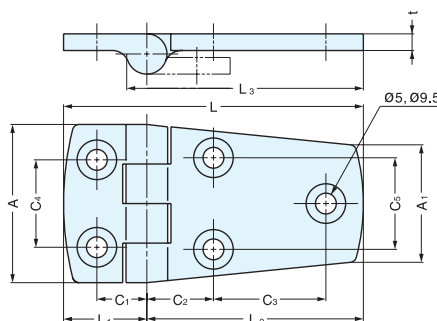
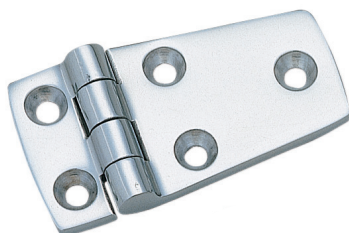
- 316 Stainless Steel construction ideal for harsh and highly corrosive environments.
- Door weight: Max. 4 kg/pair (8.8 lbs/pair)
- Door size: Max. W450 × H700 × t21 mm (W17-3/4" × H27-9/16" × t13/16")

Item No.	Weight (g)	Box (pcs)	Carton (pcs)	Material	Finish
28100	78.5	20	100	316 Stainless Steel	Mirror

BUTT HINGE



27800, 27900



- 316 Stainless Steel construction ideal for harsh and highly corrosive environments.
- Door weight: Max. 4 kg/pair (8.8 lbs/pair)
- Door size: Max. W450 × H700 × t21 mm (W17-3/4" × H27-9/16" × t13/16")

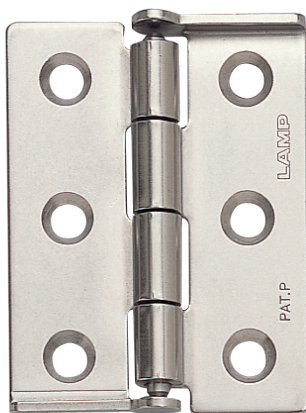
Material	Finish
316 Stainless Steel	Mirror

Item No.	L	L ₁	L ₂	L ₃	C ₁	C ₂	C ₃	C ₄	C ₅	A	A ₁	t	Weight (g)	Box (pcs)	Carton (pcs)
27900	58 (2-9/32")	20	38	42	12	13.5	16.5	21	20	38 (1-1/2")	28	4	70	20	100
27800	72 (2-53/64")		52	57		16.0	27.0	22	21				85		

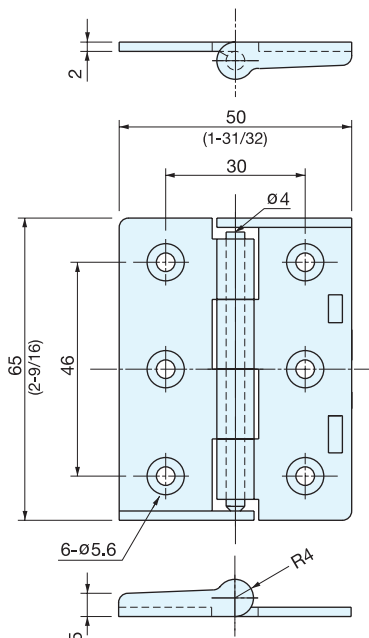
BUTT HINGE



HG-BF1



• Rim on edges prevents pin removal.

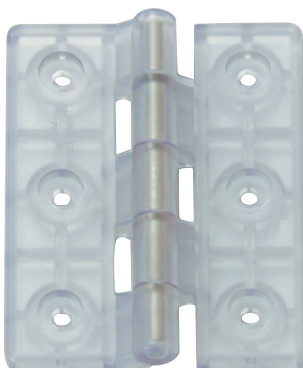


Item No.	Weight (g)	Box (pcs)	Carton (pcs)	Material	Finish
HG-BF1	63	20	120	304 Stainless Steel	Plain

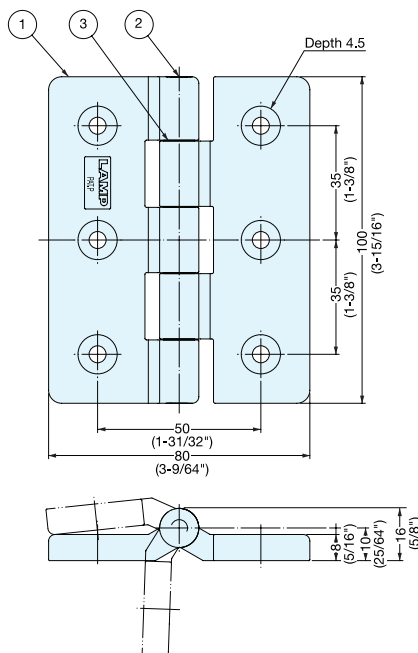
CLEAN ROOM HINGE



HG-P100



- Made with PVC material:
- Ideal for semiconductor manufacturing machinery and transparent applications.
- Weather proof, chemical proof
- Environmentally friendly-Lead free.
- Titanium pin is used.
- Recommended screw size: M5



Item No.	Weight (g)	Box (pcs)	Carton (pcs)
HG-P100	74	30	240

No.	Material	Finish
①	PVC	Clear
②	Titanium	Plain
③	Polyetheretherketone	-

BUTT HINGE



100 SERIES



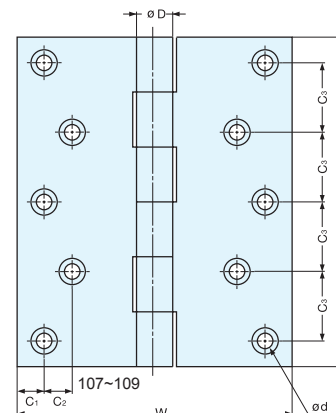
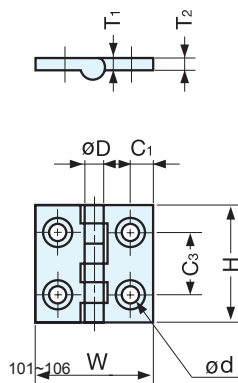
Satin Nickel (SN)
104, 105 only



Chrome (CR)
all models



Polished Brass (PB)
104, 105 only



Please specify the finish when ordering.

Material	Finish
Brass	Satin Nickel (SN), Chrome (CR), Polished Brass (PB)

Item No.	H	W	T ₁	T ₂	D	C ₁	C ₂	C ₃	d	Holes	Weight (g)	Box (pcs)	Carton (pcs)
104	50 (1-31/32")	32 (1-17/64")	2.2	2.1	5.2	6	-	18.0	3.5	6	30	100	1000
105	65 (2-9/16")	38 (1-1/2")	2.4	2.3	6.1	7	-	25.0	3.6		54	50	500
106*	75 (2-61/64")	42 (1-21/32")	2.6	2.5	7.1	8	-	27.0	3.8		77		

* Available only in Chrome (CR)

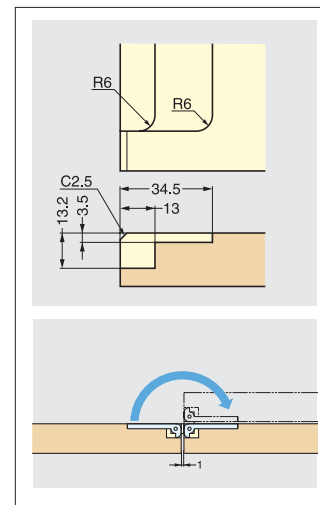
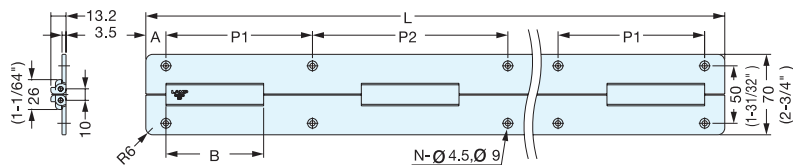
TABLETOP PIANO HINGE



HG-MH



• Not a load bearing hinge, requires secondary support.



Installation

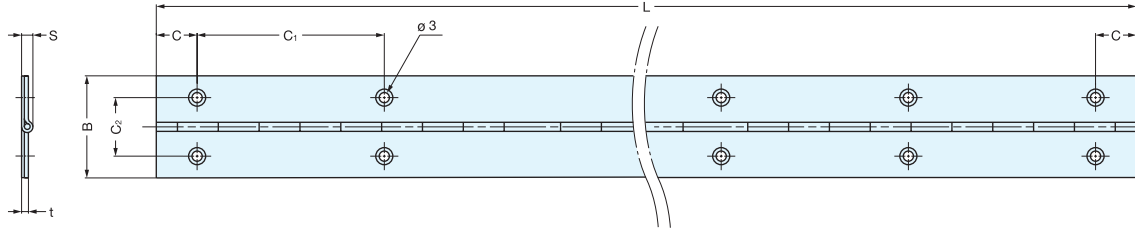
Item No.	Material	Finish/Color	L	A	P ₁	P ₂	B	# of Holes	Box (pcs)
HG-MH400S	Aluminum/ 304 Stainless Steel (Pin)	Silver	400 (15-3/4")	15.0	111.0	148	74	8	15
HG-MH400BR		Brown							
HG-MH400BL		Black							
HG-MH800S		Silver	800 (31-1/2")	17.5	127.5	170	85	12	10
HG-MH800BR		Brown							
HG-MH800BL		Black							
HG-MH1100S		Silver	1100 (43-5/16")	16.5	145.5	194	97	14	6
HG-MH1100BR		Brown							
HG-MH1100BL		Black							

PIANO HINGE



LSD-30

- Double folded construction provides extra rigidity.
- The knuckles on both ends are crimped to prevent the pin from being removed. The hinge pin does not occupy the crimped knuckles on both ends.



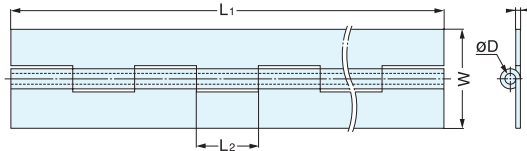
Material	Finish
304 Stainless Steel	Satin

Item No.	L	B	C	C ₁	C ₂	t	S	Holes	Weight (g)	Box (pcs)	Carton (pcs)
LSD-30-240	240 (9-29/64")	30 (1-3/16")	10.5	43.5	17	1.2	3.5	12	65	20	200
LSD-30-300	300 (11-13/16")			46.3				14	80		
LSD-30-360	360 (14-11/64")		15.0	47.0				16	95		
LSD-30-450	450 (17-23/32")		14.5	60.0				16	120		
LSD-30-600	600 (23-5/8")		14.0	63.3				20	190		
LSD-30-900	900 (35-7/16")			62.3				30	280		

PIANO HINGE (WELD-ON)



LSN



Item No.	L ₁	L ₂	W	t	D	Weight (g)	Box (pcs)	Carton (pcs)						
LSN 8-25- 300	300 (11-13/16")	12.5	25 (63/64")	0.8	2.6	66	20	200						
LSN 8-25- 600	600 (23-5/8")					135								
LSN 8-25-1000	1000 (39-3/8")					222								
LSN 8-25-1800	1800 (70-55/64")					400								
LSN 8-32- 300	300 (11-13/16")	12.5	32 (1-17/64")	0.8	2.6	80	20	200						
LSN 8-32- 600	600 (23-5/8")					159								
LSN 8-32-1000	1000 (39-3/8")					272								
LSN 8-32-1800	1800 (70-55/64")					492								
LSN 8-38-1000	1000 (39-3/8")	12.5	38 (1-1/2")	0.8	2.6	289	20	200						
LSN 8-38-1800	1800 (70-55/64")					542								
LSN15-32- 300	300 (11-13/16")	20.0	32 (1-17/64")	1.5	3.5	78	10	100						
LSN15-32- 350	350 (13-25/32")					192								
LSN15-32- 450	450 (17-23/32")					248								
LSN15-32- 600	600 (23-5/8")					330								
LSN15-32- 750	750 (29-17/32")					410								
LSN15-32- 850	850 (33-15/32")					464								
LSN15-32- 900	900 (35-7/16")					498								
LSN15-32-1000	1000 (39-3/8")					574								
LSN15-38-1000	1000 (39-3/8")					20.0			38 (1-1/2")	1.5	3.5	615	5	50
LSN15-38-1800	1800 (70-55/64")											1121		
LSN15-50-1000	1000 (39-3/8")	759												
LSN15-50-1800	1800 (70-55/64")	20.0	50 (1-31/32")	2.0	5.0	1367	5	50						
LSN20-50-1000	1000 (39-3/8")					774								

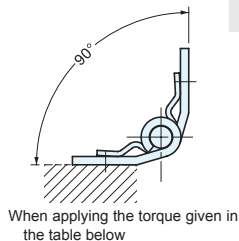
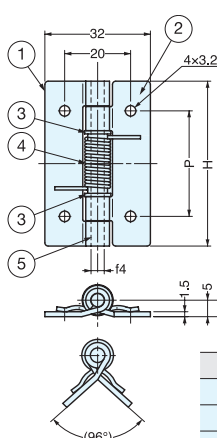


Material	Finish
304 Stainless Steel	Satin

HIGH DURABILITY SPRING HINGE



HG-SHL



- Spring loaded to keep doors shut.
- Stainless steel suitable for corrosive environments.
- High durability; Passed 1,000,000 open/close private cycle tests.

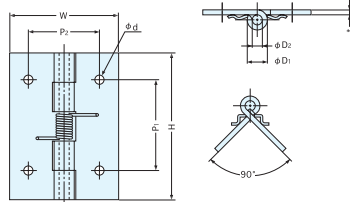
No.	Part Name	Material	Finish/Color
①	Body	304 Stainless Steel	Polished
②	Body 2		
③	Collar	303 Stainless Steel	-
④	Spring	304 Stainless Steel	
⑤	Shaft	303 Stainless Steel	

Item No.	H	P	Load Capacity (kg)	Torque (kgf/cm)	Weight	Box (pcs)	Carton (pcs)
HG-SHL32	32 (1-1/4")	18 (11/16")	4 (8.8 lbs)	0.48 (0.42 lbs/in)	20	50	500
HG-SHL50	50 (2")	32 (1-1/4")	6 (13 lbs)	0.91 (0.79 lbs/in)	30		
HG-SHL60	60 (2-3/8")	40 (1-9/16")		1.43 (1.24 lbs/in)	38		

BUTT HINGE (W/SPRING)



HG-SH



- Designed to close with spring tension when hinge is surface mounted.
- HG-SH20C has no screw holes.

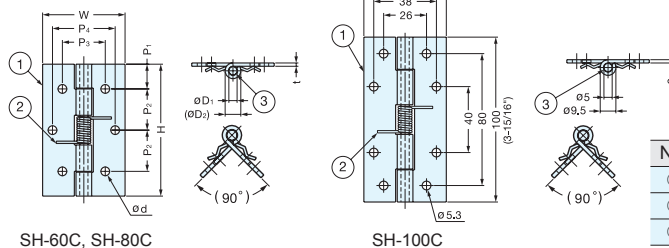
Material	Finish
304 Stainless Steel	Plain

Item No.	H	W	P ₁	P ₂	D ₁	D ₂	d	t	Torsion Spring Force (kg·cm)	Weight (g)	Box (pcs)	Carton (pcs)
HG-SH20C	20 (25/32")	14 (35/64")	-	-	2.2	1	-	0.5	0.99 (0.86 lbs·in)	11.5	800	3200
HG-SH25C	25 (63/64")	32 (1-17/64")	14	20	5.8	3	3.2	1.2	0.66 (0.57 lbs·in)	10.0	300	1200
HG-SH38C	38 (1-1/2")		26		6.5				1.50 (1.3 lbs·in)	20.0	200	800
HG-SH51C	51 (2-1/64")	32	25	6.5	1.38 (1.19 lbs·in)				35.0	130	520	

BUTT HINGE (W/SPRING)



SH



- Designed to close with spring tension when hinge is surface mounted.

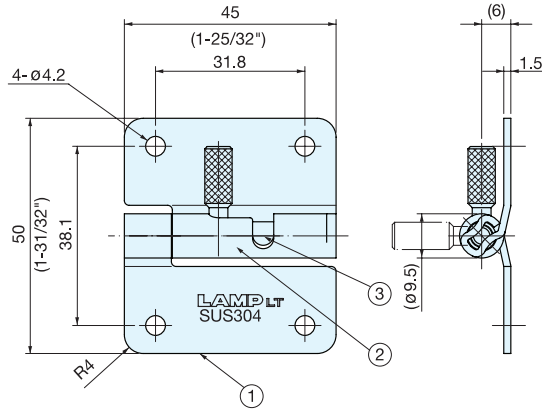
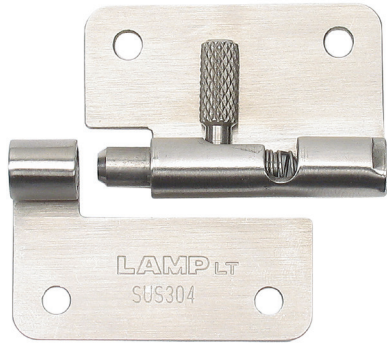
No.	Part Name	Material	Finish
①	Body	304 Stainless Steel	Polished
②	Spring		-
③	Hinge Pin		-

Item No.	H	W	t	P ₁	P ₂	P ₃	P ₄	D ₁	(D ₂)	d	Weight (g)	Box (pcs)	Carton (pcs)
SH-60C	60 (2-23/64")	40 (1-37/64")	1.5	10	20	26	26	5	8.5	4.3	44	120	1200
SH-80C	80 (3-5/32")	50 (1-31/32")	2.0	15	25		26		8.5	4.3	86	80	800
SH-100C	100 (3-15/16")	50 (1-31/32")	2.0	-	-	38	9.5		5.3	110	100	1000	

QUICK RELEASE HINGE



HG-OT



HG-OTA45L

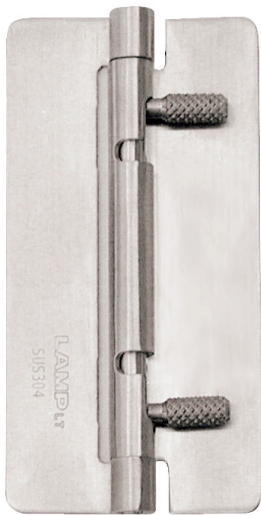
- Easy and quick to install/remove doors.
- With or without holes available.
- Left handed and Right handed models available.
- Available as weld-on type without holes (HG-OTB) and screw-on type with holes (HG-OTA).

Item No.		Holes	Weight (g)	Box (pcs)	Carton (pcs)	No.	Part Name	Material	Finish
Left	Right								
HG-OTA45L	HG-OTA45R	With screw holes	40	30	300	①	Plate	304 Stainless Steel	Satin
HG-OTB45L	HG-OTB45R	Without screw holes				②	Spring		
						③	Hinge Pin	303 Stainless Steel	

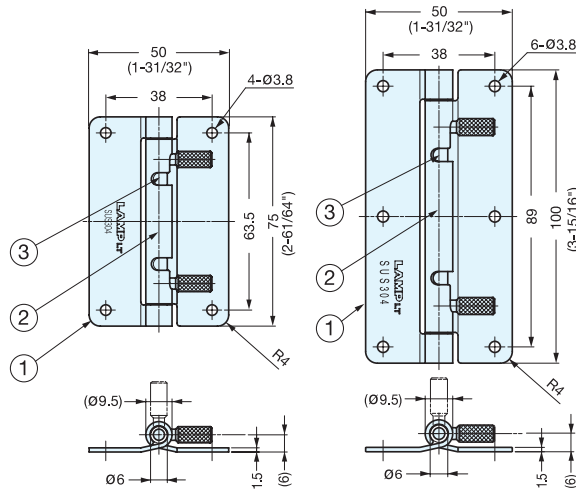
QUICK RELEASE HINGE



HG-OT



HG-OTB shown



HG-OTA75

HG-OTA100

- Easy and quick to install/remove doors.
- With or without holes available.
- Available as weld-on type without holes (HG-OTB) and screw-on type with holes (HG-OTA).
- Non-handed.

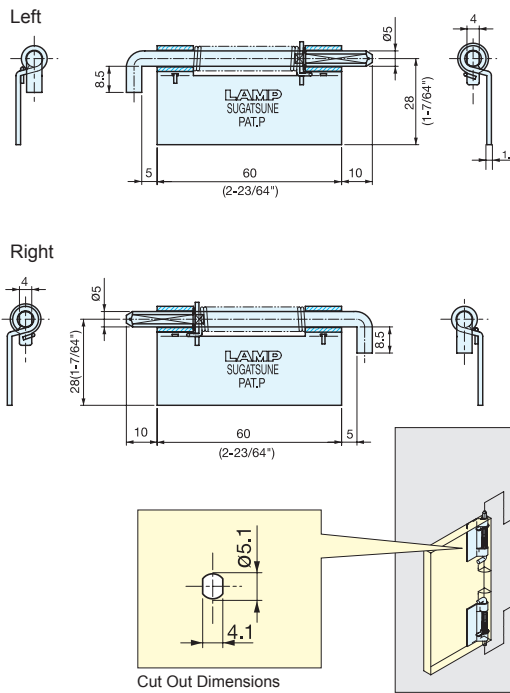


Item No.	Holes	Weight (g)	Box (pcs)	Carton (pcs)	No.	Part Name	Material	Finish
HG-OTA75	With screw holes	70	40	160	①	Plate	304 Stainless Steel	Satin
HG-OTB75	Without screw holes				②	Spring		
HG-OTA100	With screw holes	90	30	120	③	Hinge Pin	303 Stainless Steel	
HG-OTB100	Without screw holes							

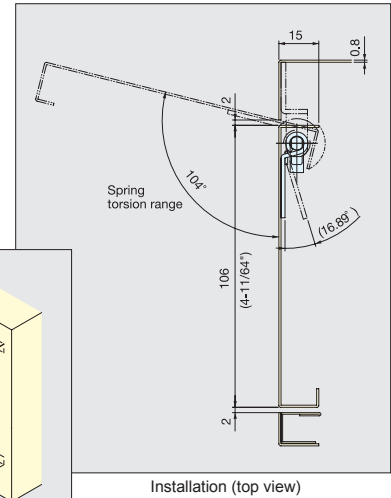
SPRING LOADED PIVOT HINGE (WELD-ON)

STAINLESS
304
STEEL

HG-PV60AC



- Designed to close with spring tension when hinge is back-surface mounted.
- Lift pin for easy door installation and removal.
- Torsion moment (Hinge closed): 0.76 kgf-cm (0.66 lb-in) per piece
- Door Weight: Max. 2 kg/pair (4.4 lbs)



Item No.	Weight (g)	Box (pcs)	Carton (pcs)
HG-PV60AC-L	38	50	200
HG-PV60AC-R			

Material	Finish
304 Stainless Steel	Plain

BUTT HINGE (W/SPRING)



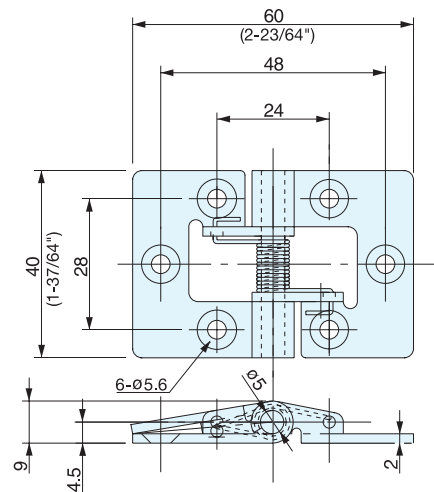
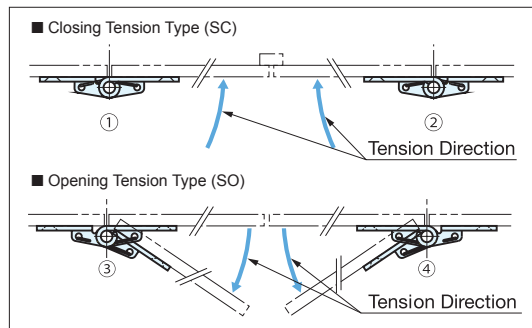
STAINLESS
304
STEEL



HG-BF3



- Spring loaded hinges to keep doors open or closed (2 versions available).
- 304 stainless steel.



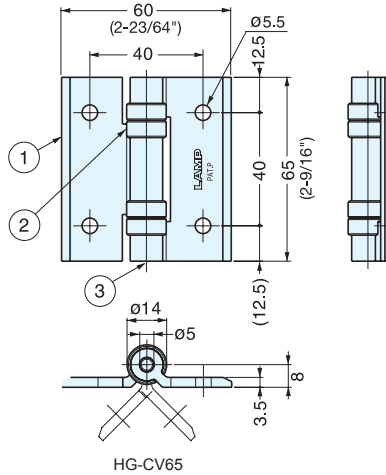
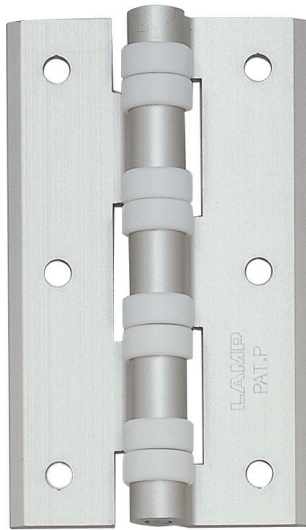
Item No.		Tension Direction	Weight (g)	Box (pcs)	Carton (pcs)
Left	Right				
③HG-BF3-2L-SO	④HG-BF3-2R-SO	Opening Tension	41	20	120
①HG-BF3-2L-SC	②HG-BF3-2R-SC	Closing Tension			

Material	Finish
304 Stainless Steel	Plain

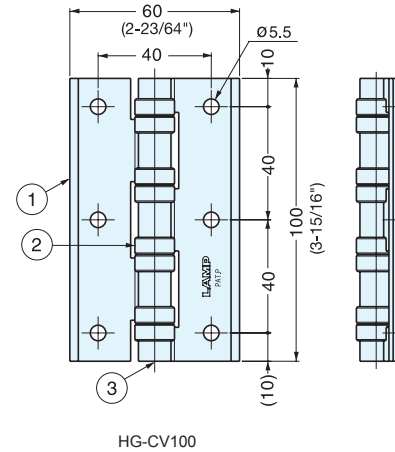
CLEAN ROOM HINGE (W/BUSHING)



HG-CV



- No metal-to-metal contact.
- Polyacetal bushings minimize particles.
- Ideal for clean room application.
- Door weight:
HG-CV 65 Max. 8 kg/pair (17.6 lbs/pair)
HG-CV100 Max. 13 kg/pair (28.6 lbs/pair)



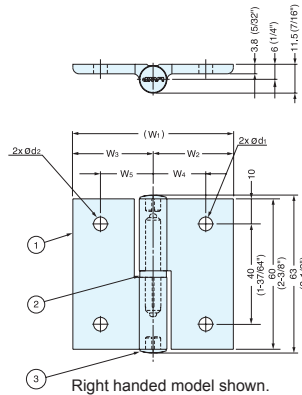
Item No.	Weight (g)	Box (pcs)	Carton (pcs)
HG-CV65	50	20	240
HG-CV100	78		160

No.	Part Name	Material	Finish
①	Body	Aluminum	Anodized
②	Bushing	Polyacetal	White
③	Hinge Pin	304 Stainless Steel	-

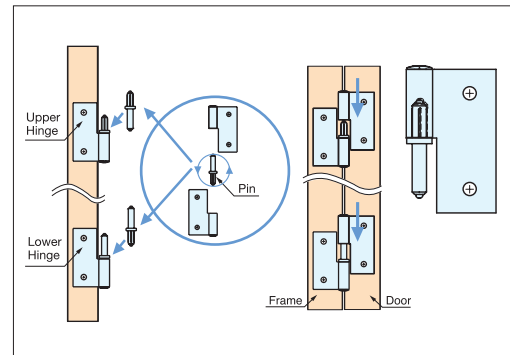
ALUMINUM LIFT-OFF HINGES



AS-HG-AL-N



- Designed for aluminum profiles.
- Plastic bushings provide smooth movement.



No.	Part Name	Material	Finish
①	Body	Aluminum	Matte Silver
②	Pin	Stainless Steel (SUS303), Polyacetal (POM)	White
③	Cover	Polyacetal (POM)	White

Item No.	Spec.	W ₁	W ₂	W ₃	W ₄	W ₅	d ₁	d ₂	Box (pcs)	Carton (pcs)
AS-HG-AL-NL3020	Left	43	18	25	11	16	4.5	5.5	20	240
AS-HG-AL-NR3020	Right				16		4.5			
AS-HG-AL-NL3030	Left	50	25		16		5.5			
AS-HG-AL-NR3030	Right				21		5.5			
AS-HG-AL-NL3040	Left	57	25	11	4.5					
AS-HG-AL-NR3040	Right			21	5.5					
AS-HG-AL-NL4020	Left	50	18	32	11	21	4.5			
AS-HG-AL-NR4020	Right				21		5.5			
AS-HG-AL-NL4040	Left	64	32		21		5.5			
AS-HG-AL-NR4040	Right				21		5.5			

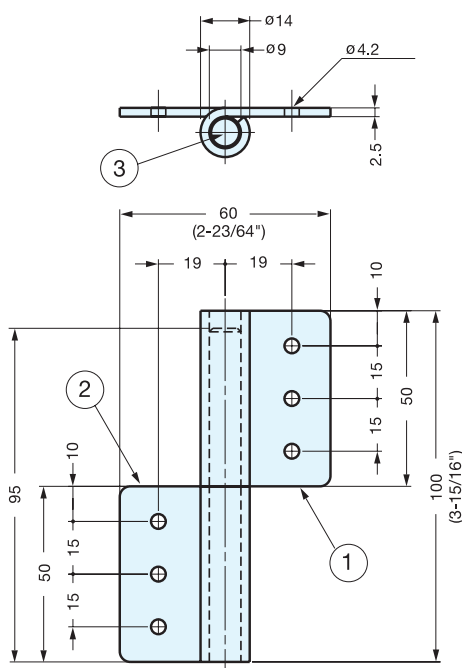
LIFT-OFF HINGE



LSX-100



Right-Hand Opening



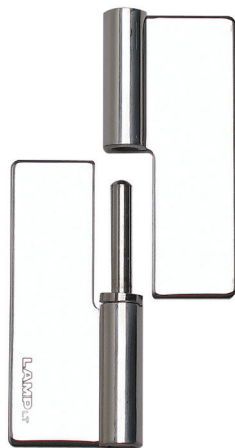
• Left and Right handed available.

Item No.		Weight (g)	Box (pcs)	Carton (pcs)	No.	Part Name	Material	Finish
Left	Right							①
LSX-100L	LSX-100R	170	10	50	②	Body B	-	
					③	Pin		

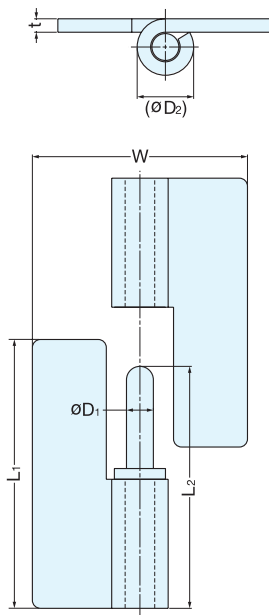
LIFT-OFF HINGE (WELD-ON)



HNH



Right-Hand Opening



• Weld-on type lift-off hinge.
• Left and Right handed available.

Material	Finish
304 Stainless Steel	Mirror

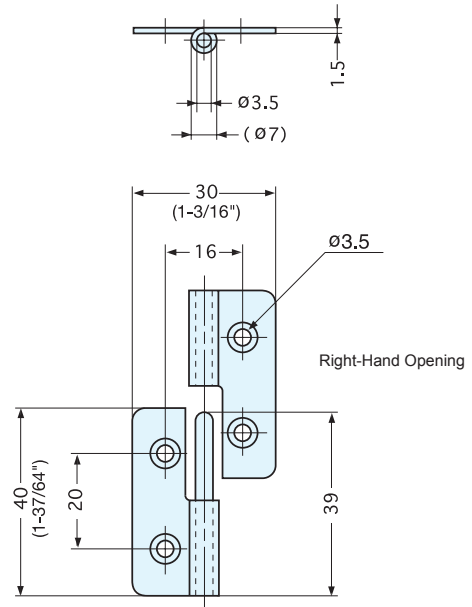
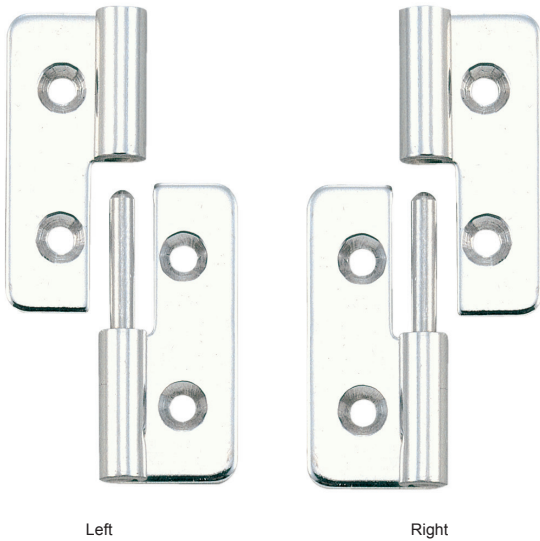
Item No.		L ₁	L ₂	W	D ₁	(D ₂)	t	Weight (g)	Box (pcs)	Carton (pcs)
Left	Right									
HNH-50CL	HNH-50CR	50 (1-31/32")	45	40 (1-37/64")	5	10.5	2.5	60	30	240
HNH-65CL	HNH-65CR	65 (2-9/16")	60	50 (1-31/32")	5	10.5	2.5	89	20	160
HNH-75CL	HNH-75CR	75 (2-61/64")	70	70 (2-3/4")	6	12.0	3.0	165	10	80
HNH-100CL	HNH-100CR	100 (3-15/16")	90	82 (3-15/64")	8	16.0	4.0	347	5	40

LIFT-OFF HINGE



NH-40

• Left and Right handed available.



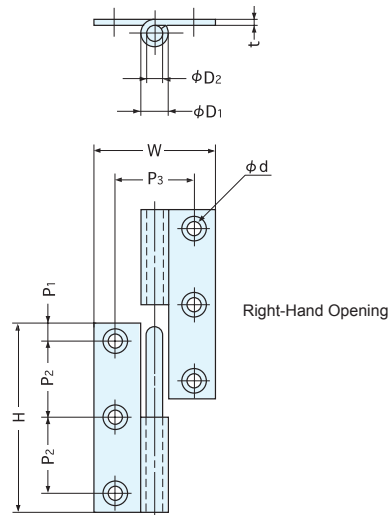
Item No.		Weight (g)	Box (pcs)	Carton (pcs)	Material	Finish
Left	Right					
NH-40L/SS	NH-40R/SS	21	150	600	304 Stainless Steel	Polished

LIFT-OFF HINGE



KN

• Left and Right handed available.



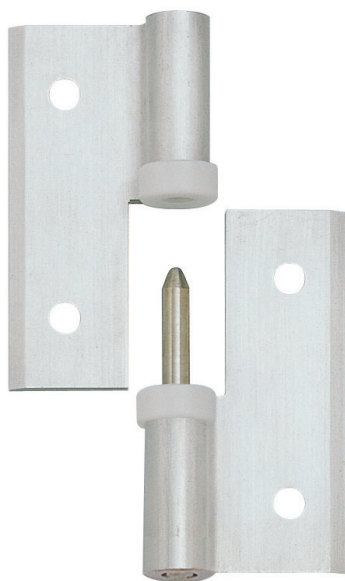
Material	Finish
304 Stainless Steel	Polished

Item No.		H	W	P ₁	P ₂	P ₃	D ₁	D ₂	d	t	Weight (g)	Box (pcs)	Carton (pcs)
Left	Right												
KN-50L/SS	KN-50R/SS	50 (1-31/32")	32 (1-17/64")	5.0	20	21	7.5	4	3.2	1.5	32	100	400
KN-64L/SS	KN-64R/SS	64 (2-33/64")	36 (1-27/64")	8.0	24	24							
KN-75L/SS	KN-75R/SS	75 (2-61/64")	38 (1-1/2")	7.5	30		8.5			2.0	64	50	200

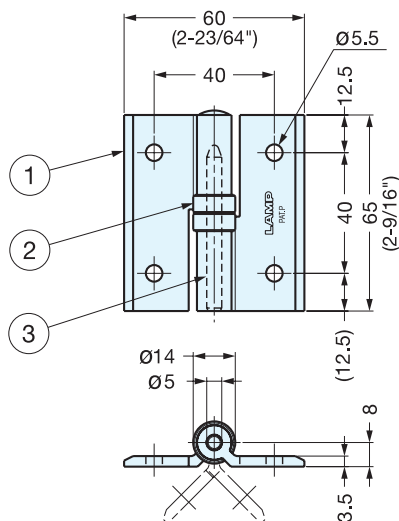
CLEAN ROOM HINGE (W/BUSHING)



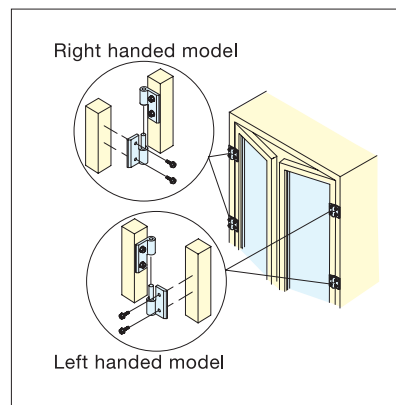
HG-CV65N



Left-Hand Opening



- No metal-to-metal contact.
- Polyacetal bushings minimize particles.
- Ideal for clean room application.



Installation Example

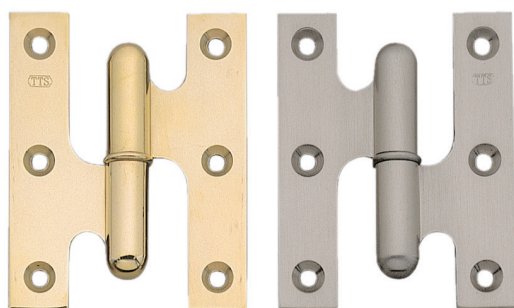
Item No.	Type	Weight (g)	Box (pcs)	Carton (pcs)
HG-CV65NR	Right Hand	49	20	200
HG-CV65NL	Left Hand			

No.	Part Name	Material	Finish
①	Body	Aluminum	Anodized
②	Bushing	Polyacetal	White
③	Hinge Pin	303 Stainless Steel	-

LIFT-OFF HINGE

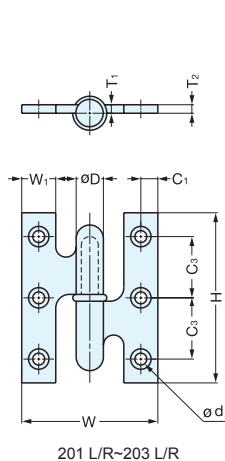


200 SERIES

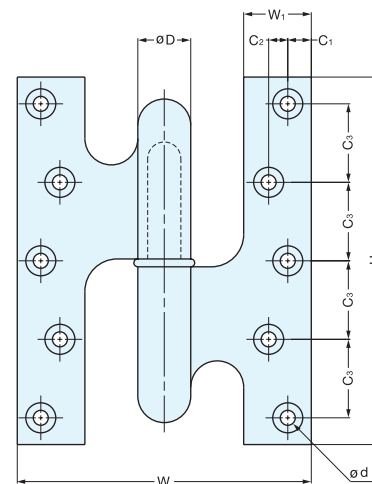


PB (Right)

SN (Left)



201 L/R~203 L/R



204 L/R~205 L/R

Please specify the finish when ordering.

Left hand hinge: If door is pulled open towards your left side.
Right hand hinge: If door is pulled open towards your right side.

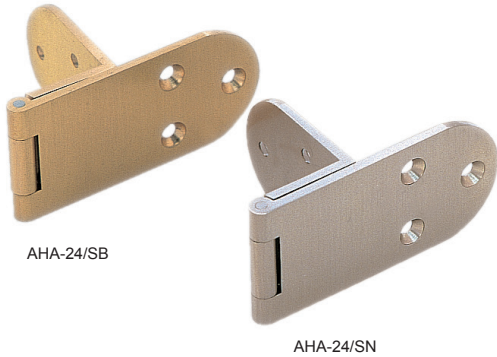
Material	Finish
Brass	Polished Brass (PB), Satin Nickel (SN), Chrome (CR)

Item No.		H	W	W ₁	T ₁	T ₂	D	C ₁	C ₂	C ₃	d	Holes	Weight (g)	Box (pcs)	Carton (pcs)
Left	Right														
201L	201R	50 (1-31/32")	40 (1-37/64")	10.0	2.5	2.5	8	5.0	-	18.0	3.5	6	37	20	200
202L	202R	65 (2-9/16")	50 (1-31/32")	13.0	2.8	2.8	10	6.5	-	25.0	3.8		72		
203L	203R	75 (2-61/64")	60 (2-23/64")	15.0	3.0	3.0	11	7.5	-	29.5	4.1		104		
204L	204R	100 (3-15/16")	75 (2-61/64")	19.0	4.5	4.0	15	7.0	4	28.3	4.5	8	241	6	60
205L	205R	125 (4-59/64")	100 (3-15/16")	23.5	5.0	4.5	18	8.0	7	26.7	5.1	10	500		

OVERLAY DOOR ANGLE HINGE



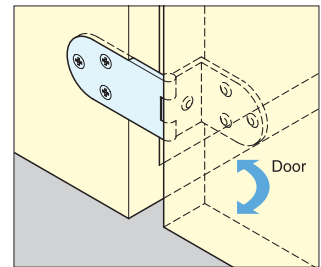
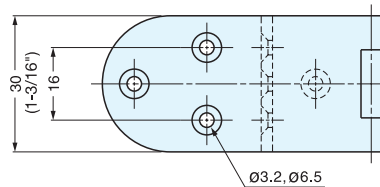
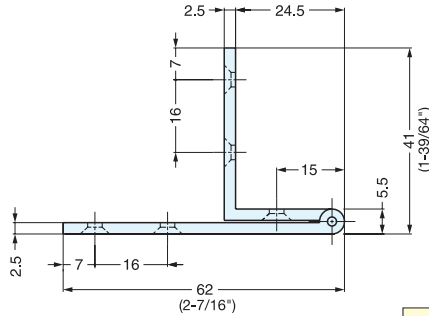
AHA-24



AHA-24/SB

AHA-24/SN

- Recommended Door Specifications:
 Thickness: Recess Mount-27 mm (1-1/16"); Surface Mount-24.5 mm (1")
 Width: Max. 450 mm (17-3/4")
 Height: Max. 700 mm (27-9/16")
 Weight: Max. 2.6 kg (5.7 lbs) per pair



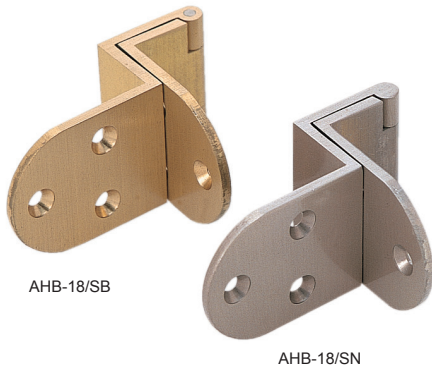
Item No.		Weight (g)	Box (pcs)	Carton (pcs)
AHA-24/SB	AHA-24/SN	70	50	200

Material	Finish
Brass	Satin Brass (SB) Satin Nickel (SN)

OVERLAY DOOR ANGLE HINGE



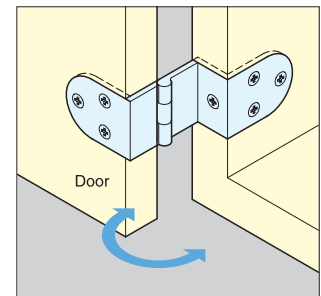
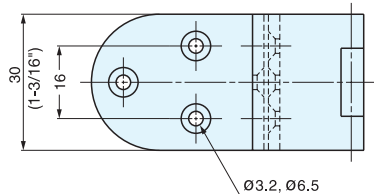
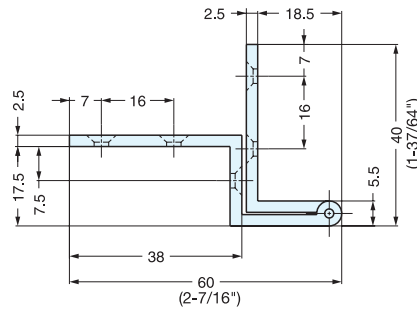
AHB-18



AHB-18/SB

AHB-18/SN

- Recommended Door Specifications:
 Thickness: Recess Mount-21 mm (13/16"); Surface Mount-18 mm (11/16")
 Width: Max. 450 mm (17-3/4")
 Height: Max. 700 mm (27-9/16")
 Weight: Max. 2.6 kg (5.7 lbs) per pair



Item No.		Weight (g)	Box (pcs)	Carton (pcs)
AHB-18/SB	AHB-18/SN	76	50	200

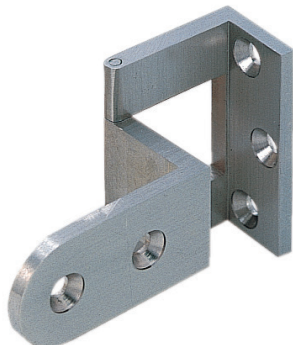
Material	Finish
Brass	Satin Brass (SB) Satin Nickel (SN)

OVERLAY DOOR ANGLE HINGE

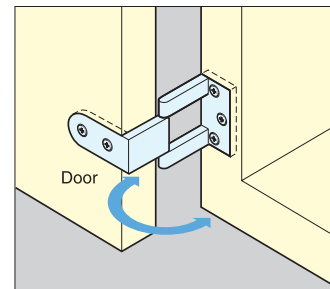
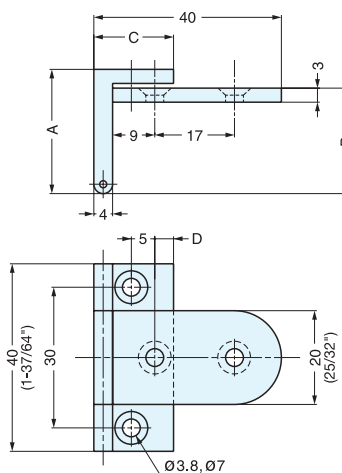


AHS

- Recommended Door Specifications:
 Thickness: Recess Mount-for AHS-20, 22.5 mm (7/8"); for AHS-24, 27 mm (1-1/16")
 Surface Mount-for AHS-20, 19.5 mm (3/4"); for AHS-24, 24 mm (1")
 Width: Max. 450 mm (17-3/4")
 Height: Max. 700 mm (27-9/16")
 Weight: Max. 2.6 kg (5.7 lbs) per pair



AHS-24/SN



Material	Finish
Brass	Satin Nickel (SN)

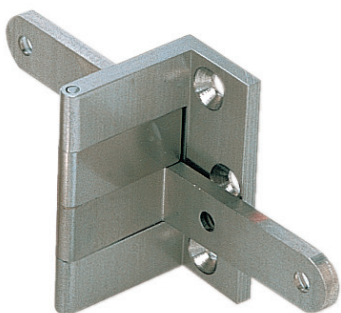
Item No.	A	B	C	D	Weight (g)	Box (pcs)	Carton (pcs)
AHS-20/SN	26.5 (1-3/64")	22.5	17 (43/64")	4.0	61	20	360
AHS-24/SN	30.5 (1-13/64")	27.0	20 (25/32")	5.5	69		

OVERLAY DOOR ANGLE HINGE

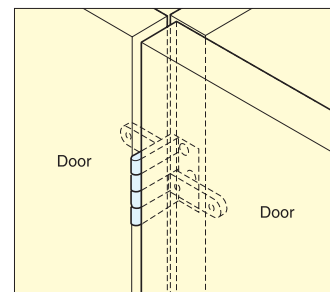
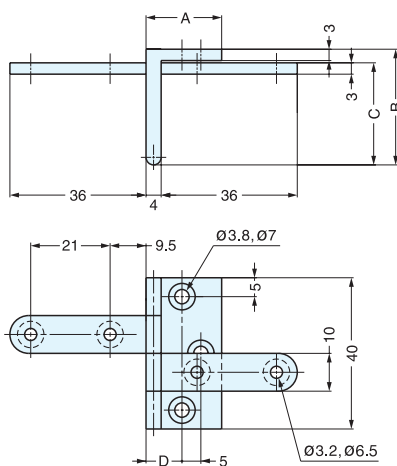


AHW

- Recommended Door Specifications:
 Thickness: Recess Mount-for AHW-20, 22.5 mm (7/8"); for AHW-24, 27 mm (1-1/16")
 Surface Mount-for AHW-20, 19.5 mm (3/4"); for AHW-24, 24 mm (1")
 Width: Max. 450 mm (17-3/4")
 Height: Max. 700 mm (27-9/16")
 Weight: Max. 2.6 kg (5.7 lbs) per pair



AHW-24/SN



Material	Finish
Brass	Satin Nickel (SN)

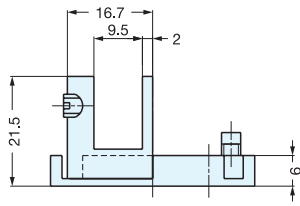
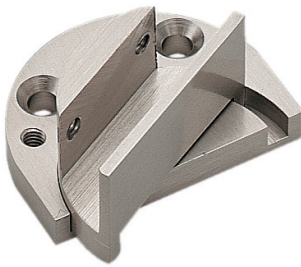
Item No.	A	B	C	D	Weight (g)	Box (pcs)	Carton (pcs)
AHW-20/SN	17 (43/64")	26.5 (1-3/64")	22.5	8.0	61	25	200
AHW-24/SN	20 (25/32")	30.5 (1-13/64")	27.0	9.5	69	20	80

PIVOT TYPE INSET GLASS DOOR HINGE

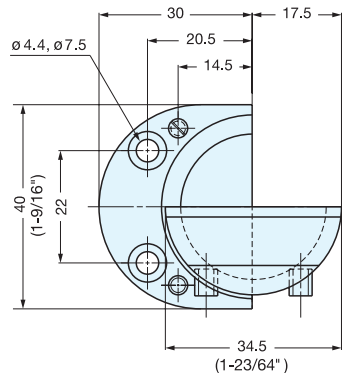


GP-40

HINGES

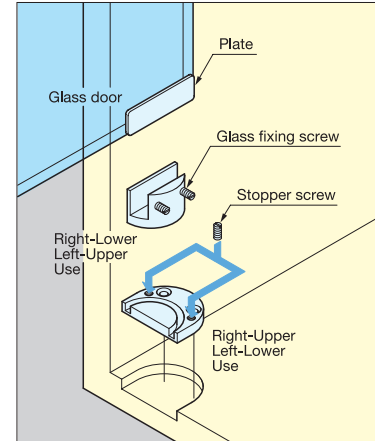


(side view)



(top view)

- Pressure-fit hinge.
- Glass door hinge for inset use.
- Door Size: Max. W450 × H700 × t8 mm (W17-3/4" × H27-9/16" × t5/16")
- Door Weight: Max. 4 kg/pair (8.8 lbs/pair)
- Glass Door Thickness: Max. 8 mm (5/16")
- Pre-drilling on glass not required.
- Non-handed.



Change the stopper screw position accordingly to install on left/right/top/bottom.

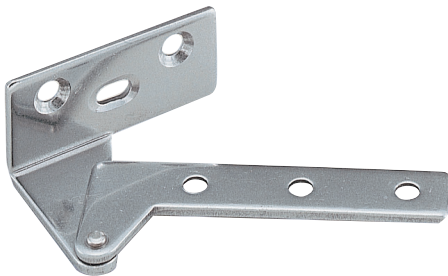
Item No.	Weight (g)	Box (pcs)	Carton (pcs)	Material	Finish
GP-40	76	35	350	Brass	Satin Nickel

PIVOT TYPE INSET GLASS DOOR HINGES / OVERLAY DOOR PIVOT HINGES

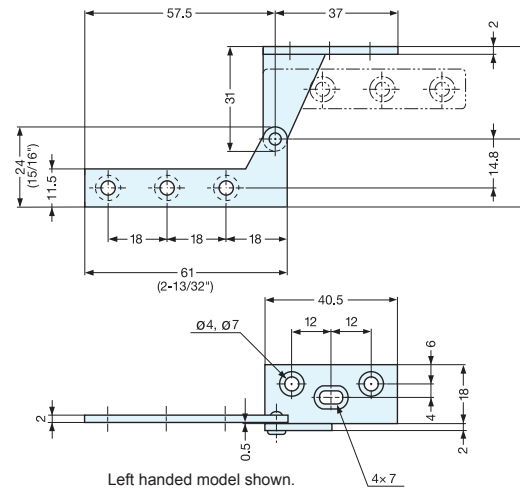
OVERLAY DOOR PIVOT HINGE



PL-60



Left handed model shown.



Left handed model shown.

- Door Size: Max. W450 × H700 × t22 mm (W17-3/4" × H27-9/16" × t7/8")
- Door Weight: Max. 2.6 kg/pair (5.7 lbs/ pair)

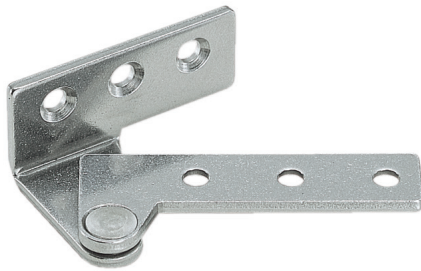
Item No.		Weight (g)	Box (pcs)	Carton (pcs)	Material	Finish
Left	Right					
PL-60L	PL-60R	27	100	1000	430 Stainless Steel	Plain

OVERLAY DOOR PIVOT HINGE

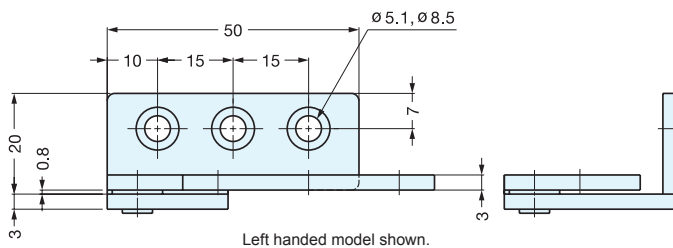
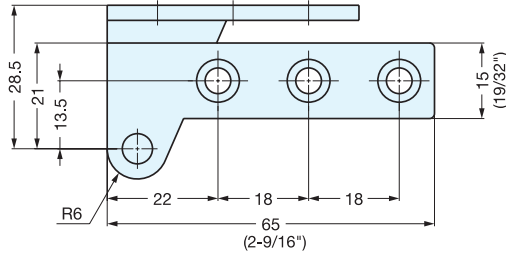


PL-65

- Door Size: Max. W450 × H700 × t22 mm (W17-3/4" × H27-9/16" × t7/8")
- Door Weight: Max. 4 kg/pair (8.8 lbs/ pair)



Left handed model shown.



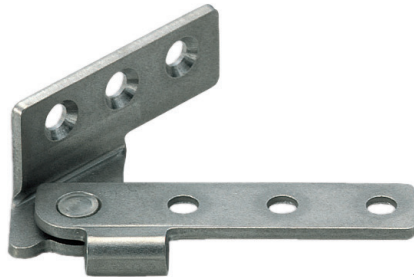
Item No.		Weight (g)	Box (pcs)	Carton (pcs)	Material	Finish
Left	Right					
PL-65L	PL-65R	55	40	400	430 Stainless Steel	Plain

OVERLAY DOOR PIVOT HINGE

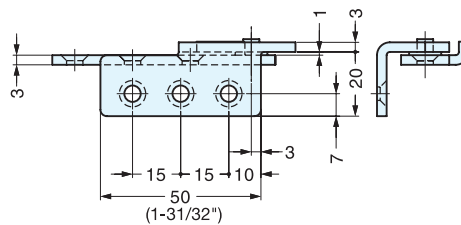
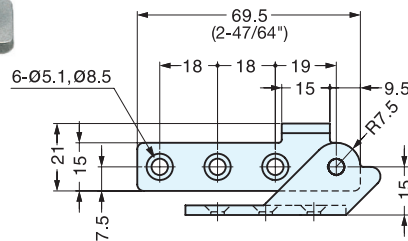


PL-100

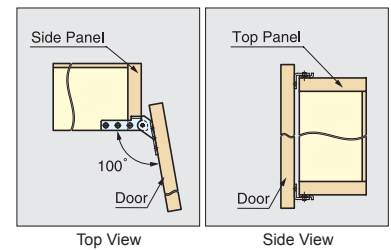
- Door Size: Max. W600 × H750 mm (W23-5/8" × H29-1/2")
- Door Weight: Max. 6 kg/pair (13.2 lbs/pair)



Right handed model shown.



Left handed model shown.

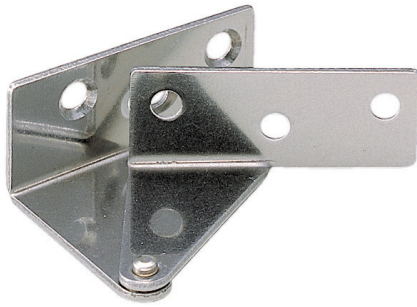


Item No.		Weight (g)	Box (pcs)	Carton (pcs)	Material	Finish
Left	Right					
PL-100L	PL-100R	55	100	1000	304 Stainless Steel	Plain

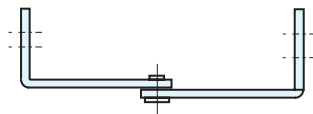
OVERLAY DOOR PIVOT HINGE



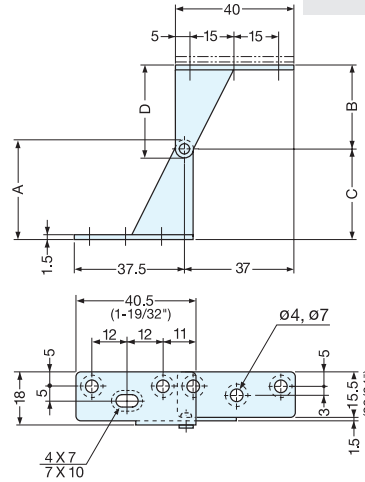
WP



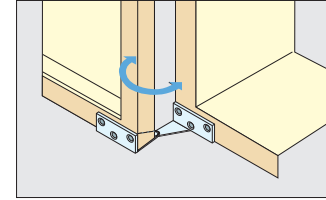
Left handed model shown.



Left-Hand Opening



- Door Size: Max. W300 × H700 mm (W11-13/16" × H27-9/16")
- Door Thickness:
WP-1L/R-Max.24 (15/16")
WP-3L/R-Max.18 (11/16")
- Door Weight: Max. 1.8 kg/pair (3.9 lbs/pair)



Installation

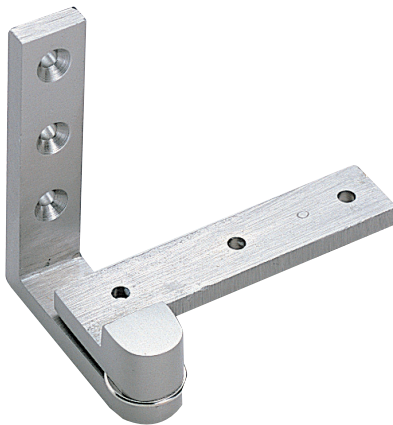
Item No.		A	B	C	D	Weight (g)	Box (pcs)	Carton (pcs)
Left	Right							
WP-1L	WP-1R	34	28	30.5	31	23	100	1000
WP-3L	WP-3R	28	22	24.5	25			

Material	Finish
430 Stainless Steel	Plain

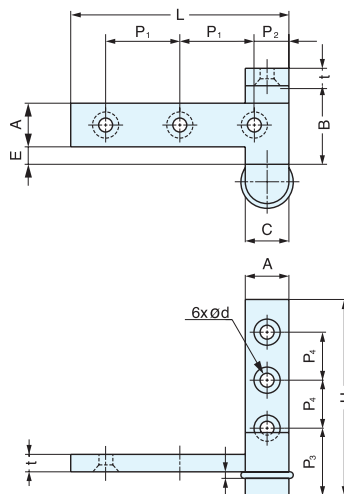
OVERLAY DOOR PIVOT HINGE



PAS

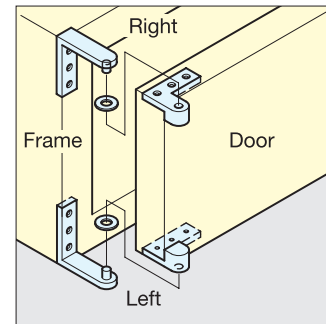


Left handed model shown.



Right handed model shown.

- Door Size: Max. W450 × H700 mm (W17-3/4" × H27-9/16")
- Recommended Door Thickness:
PAS-50, 60 : 21 mm (13/16")
PAS-80 : 25 mm (1")
PAS-95 : 30 mm (1-3/16")
- Door Weight:
PAS-50, 60: Max. 2.6 kg/pair (5.7 lbs/pair)
PAS-80, 95: Max. 4 kg/pair (8.8 lbs/pair)



Installation

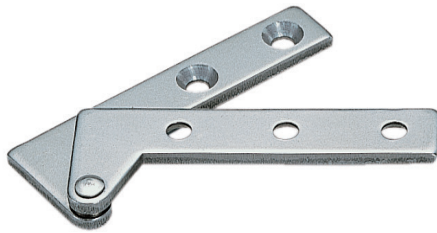
Material	Finish
Brass	Satin Nickel

Item No.	L	t	H	A	B	C	E	P ₁	P ₂	P ₃	P ₄	d	Weight (g)	Box (set)	Carton (set)
PAS-50	50	4.0	45	10	22.0	12	4	17	8.0	15.5	11.0	3.2	43	10	200
PAS-60	60	4.5	50	12				21	9.0	16.0	13.5				
PAS-80	80	6.0	70	16	26.5	15		30	10.0	24.0	19.0	4.2	161	8	32
PAS-95	95	6.5	80	19	31.5	16		35	12.5	26.0	22		233	6	24

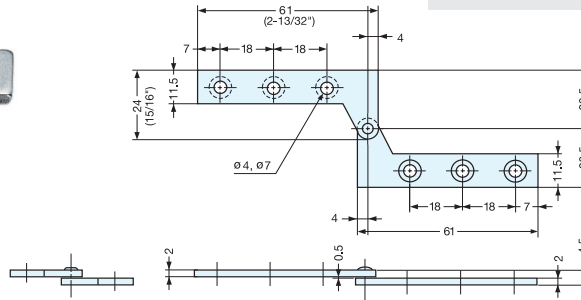
INSET DOOR PIVOT HINGE



PP



Left handed model shown.



Right handed model shown.

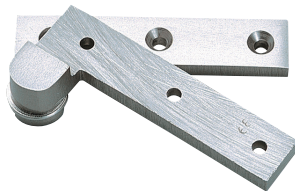
- Door Size: Max. W450 × H700 mm (W17-3/4" × H27-9/16")
- Door Weight: Max. 2.6 kg/pair (5.7 lbs/pair)

Item No.		Weight (g)	Box (pcs)	Carton (pcs)	Material	Finish
Left	Right					
PP-L	PP-R	22	100	1000	430 Stainless Steel	Plain

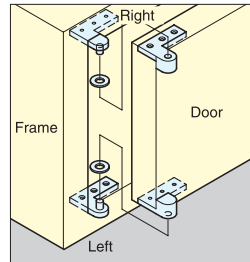
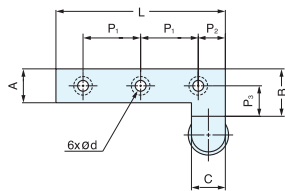
INSET DOOR PIVOT HINGE



PH

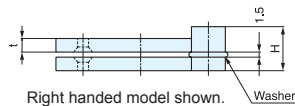


Left handed model shown.



Installation

- Door Size: Max. W450 × H700 mm (W17-3/4" × H27-9/16")
- Recommended Door Thickness:
 - PH-50 : Min. 14 mm (9/16")
 - PH-60 : Min. 16 mm (10/16")
 - PH-80 : Min. 20 mm (3/4")
 - PH-95 : Min. 28 mm (1-1/8")
- Door Weight:
 - PH-50, 60: Max. 2.6 kg/pair (5.7 lbs/pair)
 - PH-80, 95: Max. 4 kg/pair (8.8 lbs/pair)



Right handed model shown.

Material	Finish
Brass	Satin Nickel

Item No.	L	t	H	A	B	C	P ₁	P ₂	P ₃	d	Door Thickness (mm)	Weight (g)	Box (pcs)	Carton (pcs)	Screws
PH-50	50	4.0	13	10	14	10	17	8.0	9.0	3.2	14 (35/64")	40	10	20	3.1 × 20
PH-60	60	4.5		12	16	12	21	9.0	9.0		16 (5/8")	60			
PH-80	80	6.0	22	16	20	15	30	10.0	12.0	4.2	20 (25/32")	170	8	32	3.8 × 25
PH-95	95	6.5		19	28	16	35	12.5	18.5		28 (1-3/32")	250			

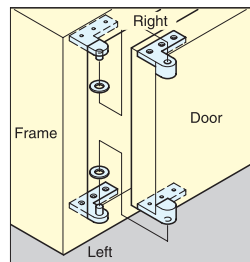
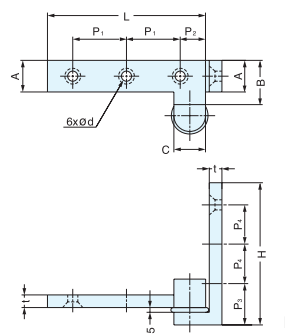
INSET DOOR PIVOT HINGE



PAW



Left handed model shown.



Installation

- Door Size: Max. W450 × H700 mm (W17-3/4" × H27-9/16")
- Recommended Door Thickness:
 - PAW-50 : 14 mm (9/16")
 - PAW-60 : 16 mm (10/16")
 - PAW-80 : 20 mm (3/4")
 - PAW-95 : 28 mm (1-1/8")
- Door Weight:
 - PAW-50, 60: Max. 2.6 kg/pair (5.7 lbs/pair)
 - PAW-80, 95: Max. 4 kg/pair (8.8 lbs/pair)

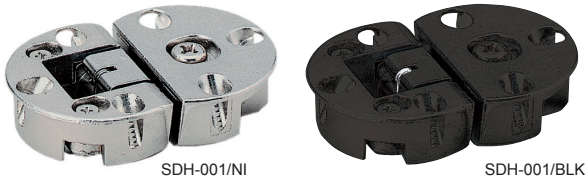
Material	Finish
Brass	Satin Nickel

Item No.	L	t	H	A	B	C	P ₁	P ₂	P ₃	P ₄	d	Door Thickness (mm)	Weight (g)	Box (set)	Carton (set)	Screws
PAW-50	50	4.0	45	10	14	10	17	8.0	13.0	12.5	3.2	14 (35/64")	43	10	200	3.1 × 20
PAW-60	60	4.5	50	12	16	12	21	9.0	12.5	15.5		16 (5/8")	62			
PAW-80	80	6.0	70	16	20	15	30	10.0	15.0	23.0	4.2	20 (25/32")	172	8	32	3.8 × 25
PAW-95	95	6.5	80	19	28	16	35	12.5	18.0	25.5		28 (1-3/32")	248			

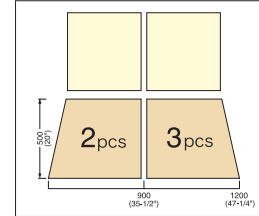
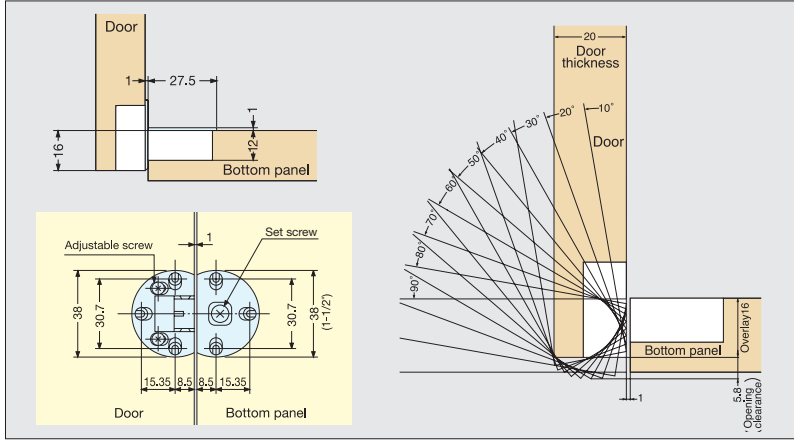
DROP LID HINGE (ADJUSTABLE TYPE)



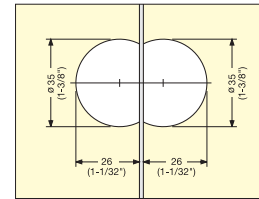
SDH-001



- Opening angle 90°.
- 2-way adjustment. (Overlay and door gap)
- Flush when opened, ideal for writing desk application.
- Can be used with soft down stay SDS-100, NSDX-10 or HDS-10.
- Door Thickness: 16~20 mm (5/8"~3/4")
- Overlay Coverage: 14~16 mm (9/16"~5/8")
- Painted round head screws available for SDH-001/BLK (3 x 13) at a surcharge (Item No. SDH-001-S-BL).



Recommended use



Bore Dimensions

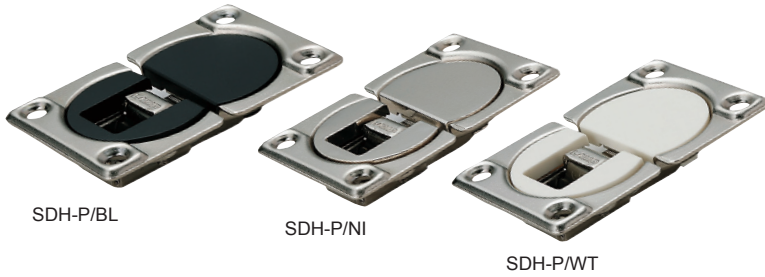
Item No.	Weight (g)	Box (pcs)	Carton (pcs)
SDH-001/Ni	79	50	200
SDH-001/Blk			

Material	Finish
Zinc Alloy	Nickel
	Black

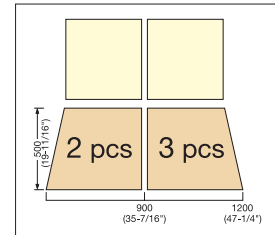
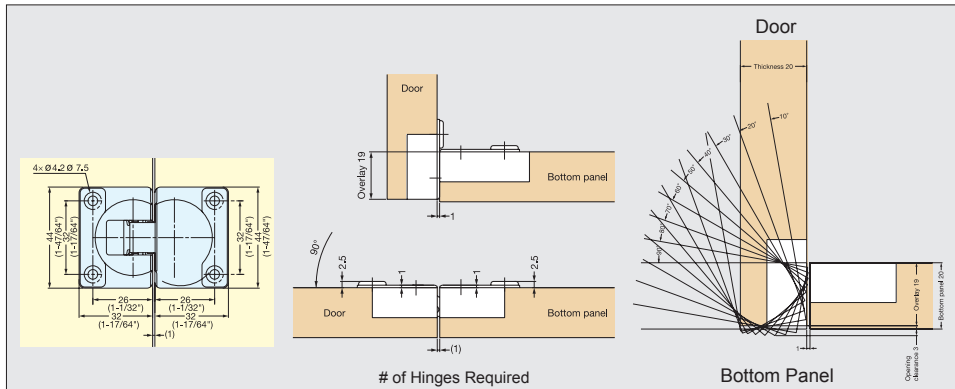
DROP LID HINGE (3-WAY ADJUSTMENT)



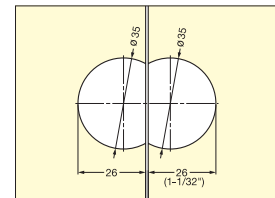
SDH-P



- 3-way adjustment (overlay, horizontal, door gap).
- Flush when opened.
- Can be used with soft down stay CSD-10-TV, SDS-100 or NSDX-10.
- Door Thickness: 16~20 mm (5/8"~25/32").
- Overlay Coverage: 16~19 mm (5/8"~3/4").



Recommended use



Bore Dimensions

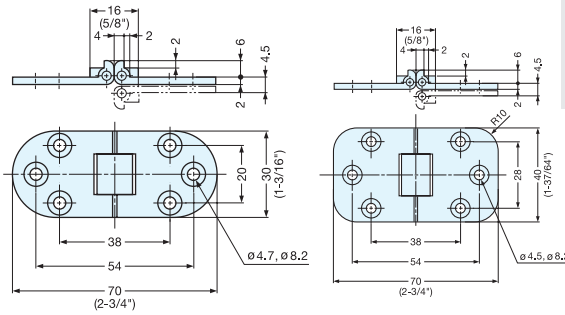
Item No.	Finish/Color	Box (sets)	Carton (sets)
SDH-P/Blk	Nickel/Black Covers	50	100
SDH-P/Ni	Nickel/Nickel Covers		
SDH-P/Wt	Nickel/White Covers		

No.	Part Name	Material	Finish
①	Hinge Body	Steel	Nickel
②	Cover	ABS	Black/Nickel/White

TABLETOP HINGE



SMH-30, 40



- Double pivot hinge with 180° opening.
- Door Size: Max. W450 × H700 × t21 mm (W17-3/4" × H27-9/16" × t53/64")
- Door Weight: Max. 4 kg/pair (8.8 lbs/pair)
- Creates a flush surface when hinge is recessed into a tabletop, tray, etc.

Please specify the finish when ordering.

Item No.	Weight (g)	Box (pcs)	Carton (pcs)
SMH-30	45	24	360
SMH-40	64	16	240

Material	Finish
Brass	Polished Brass (PB) Satin Nickel (SN) Chrome (CR)

TABLETOP HINGE

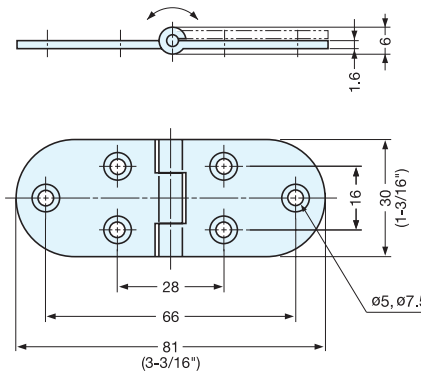


SMH-83

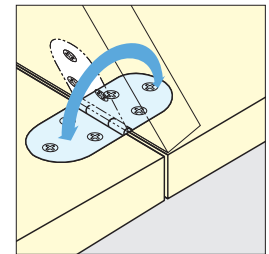


SMH-83/S

SMH-83/CR



- Door Size: Max. W450 × H700 × t21 mm (W17-3/4" × H27-9/16" × t53/64")
- Door Weight: Max. 4 kg/pair (8.8 lbs/pair)



Installation

* NSF Component

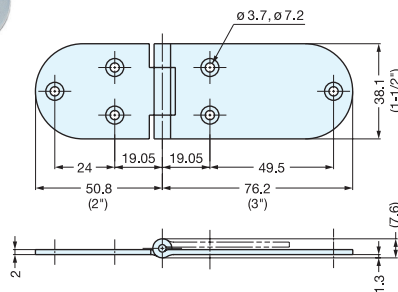
Item No.	Weight (g)	Box (pcs)	Carton (pcs)
SMH-83/S*	28	100	1000
SMH-83/CR	31		

Material	Finish
304 Stainless Steel	Satin (S)
Steel	Chrome (CR)

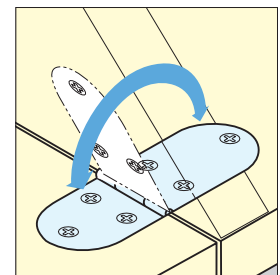
TABLETOP HINGE



MA-5



- Door Size: Max. W450 × H700 × t21 mm (W17-3/4" × H27-9/16" × t53/64")
- Door Weight: Max. 4 kg/pair (8.8 lbs/pair)



Installation

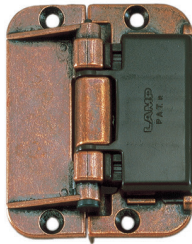
Item No.	Weight (g)	Box (pcs)	Carton (pcs)
MA-5	74	20	200

Material	Finish
304 Stainless Steel	Mirror

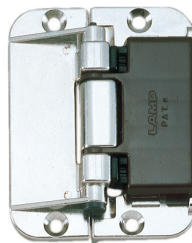
CENTER HINGE FOR FOLDING DOORS



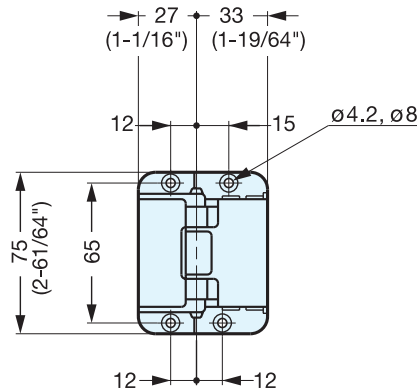
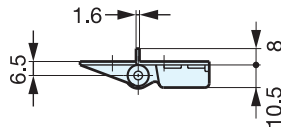
CH-75



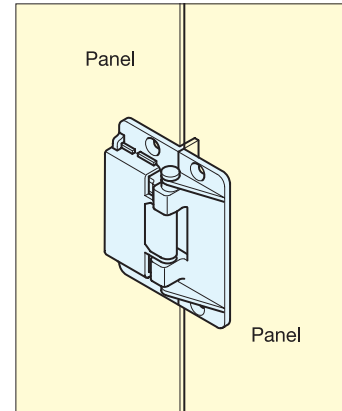
CH-75/GB



CH-75/NI



- 180° opening.
- Snaps in at open and closed position, ideal for folding doors.



Installation

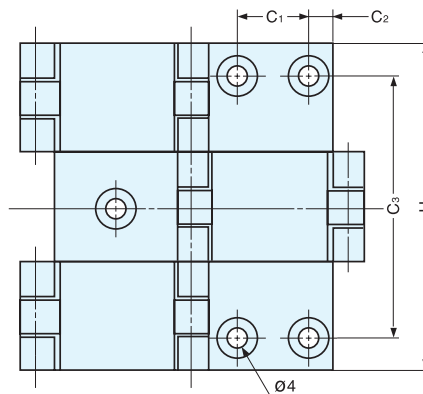
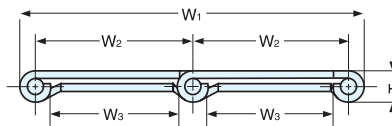
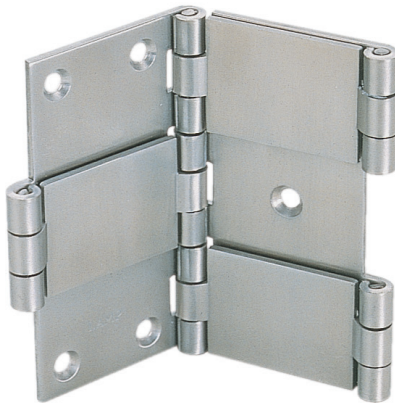
Item No.		Weight (g)	Box (pcs)	Carton (pcs)
CH-75/GB	CH-75/NI	100	42	168

Material	Finish
Zinc Alloy	Bronze (GB)
Polyacetal	Nickel (NI)
Polyamide	

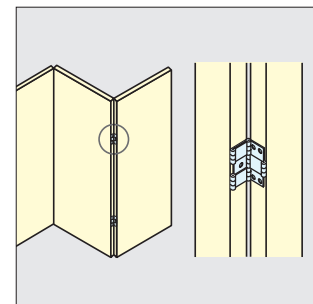
DOUBLE ACTION HINGE



HG-BH



- Opens 180° in both left and right direction.
- Door Size: Max. W450 × H700 mm (W17-3/4" × H27-9/16")
- Door Weight: Max. 2.6 kg/pair (5.7 lbs/pair).



Installation

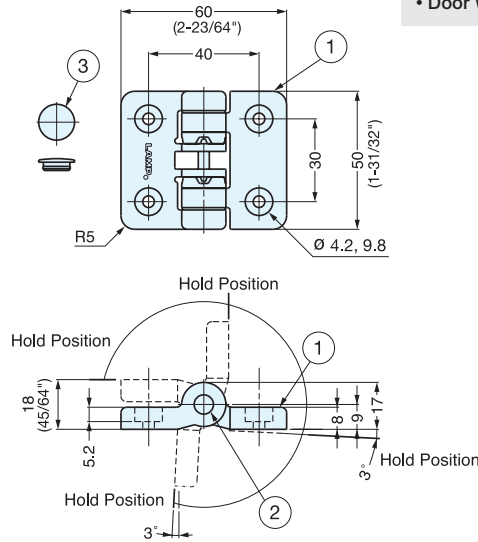
Material	Finish
304 Stainless Steel	Satin

Item No.	W ₁	W ₂	W ₃	T	H	C ₁	C ₂	C ₃	Weight (g)	Box (pcs)	Carton (pcs)
HG-BH60	64 (2-1/2")	29.0 (1-1/8")	7/8	5.5	60 (2-23/64")	13.5 (17/32")	4.8	47	65	20	260
HG-BH70	78 (3-1/16")	35.0 (1-3/8")	1-1/16	7.5	70 (2-3/4")	13.5 (17/32")	6.8	57	130	10	180
HG-BH80	94 (3-11/16")	43.2 (1-11/16")	1-3/8		80 (3-5/32")	22.0 (55/64")	6.5	66			175

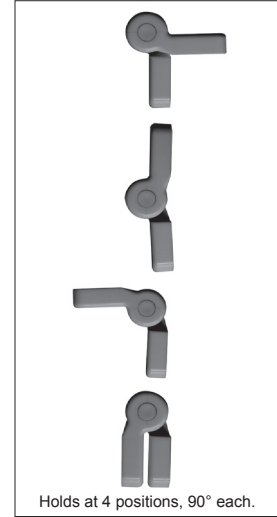
DETENT HINGE



HG-YJ50



- Plastic hinge holds doors at 4 different positions (90° each) without secondary support.
- Ivory or Black available.
- Door Sizes Max. W400 × H500 mm/pair (W15-3/4" × 19-11/16" /pair)
- Door Weight: Max.1.2 kg/pair (2.6 lbs/pair)

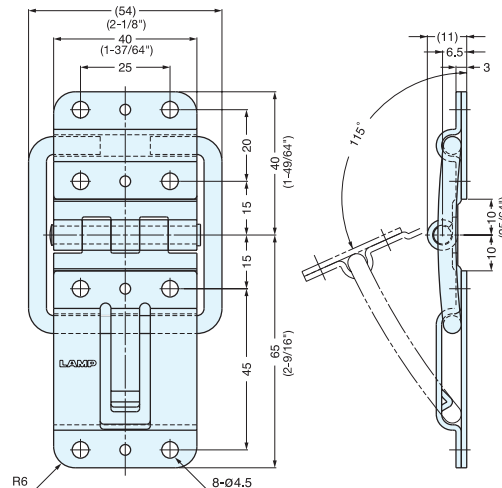
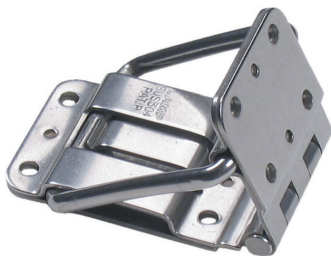
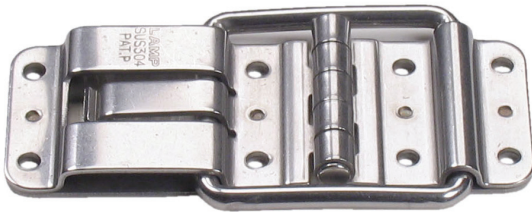


Item No.	Catch Release Torque (kgf·cm)	Weight (g)	Box (pcs)	Carton (pcs)	No.	Part Name	Material	Color
HG-YJ50/IV	5 (4.3 lbs·in)	30	20	200	①	Body	Polyacetal	Ivory/Black
HG-YJ50/BL					②	Hinge Pin	303 Stainless Steel	Plain
					③	Cap	Polypropylene	Ivory/Black

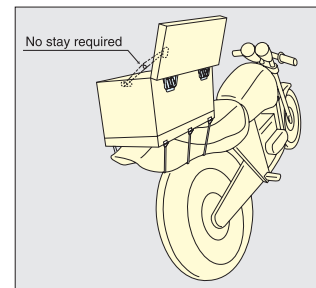
DETENT HINGE



HG-YC105



- Snaps in at 115° open position.
- Holds doors open without secondary support.



Installation

Item No.	Catch Release Torque (kgf·cm)	Weight (g)	Box (pcs)	Carton (pcs)	Material	Finish
HG-YC105	12 (10.4 lbs·in)	122	10	100	304 Stainless Steel	Polished

DETENT HINGE



HG-MPS2

HINGES

DETENT HINGES

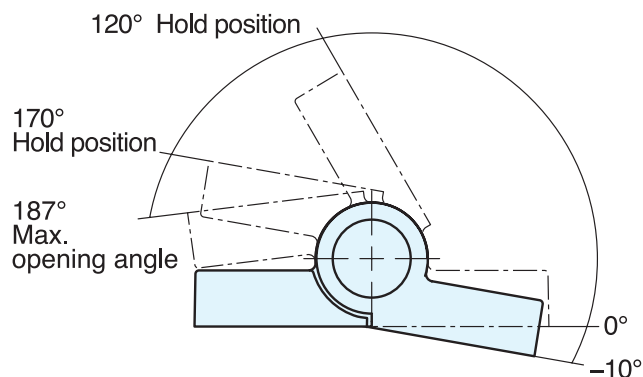
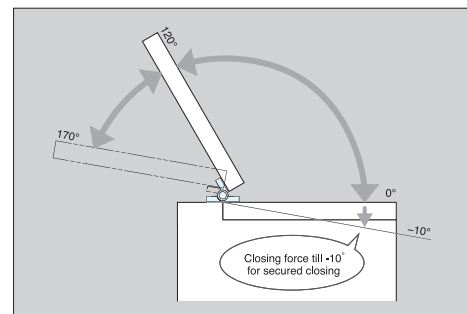
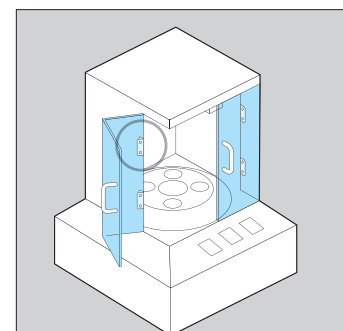
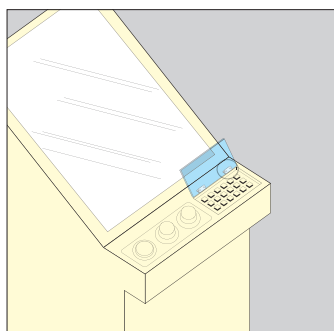
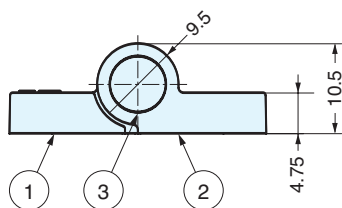
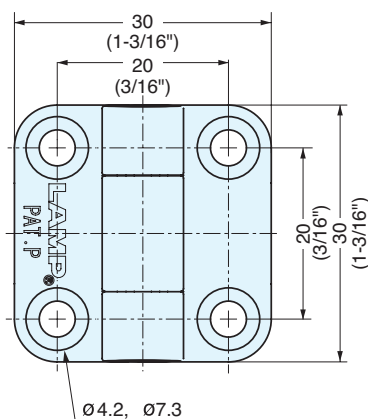


White



Black

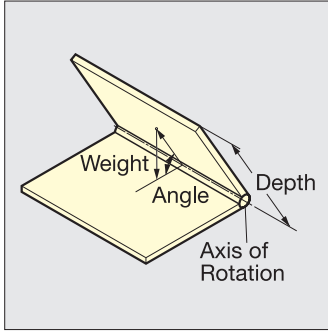
- Plastic hinge holds doors at 3 different positions (-10°, 120°, 170°).
- Door weight: Max 1.0kg/pair (2.2lbs/pair).
- Ideal for small equipment with light weight doors such as measuring devices, medical equipment, etc.
- Additional stopper recommended at 0° and 170°.



Item No.	Weight (g)	Box (pcs)	Carton (pcs)
HG-MPS2-BL	6.9	20	200
HG-MPS2-WT			

No.	Part Name	Material	Finish
①	Body A	PBT	White/Black
②	Body B		
③	Cap	ABS	

TORQUE HINGE INTRODUCTION



Torque (or constant friction) hinges are useful for a variety of applications which require a set position to be held for an indefinite amount of time. They do not have a strict load capacity, but instead a torque rating, which must be overcome to re-position the hinge.

Sugatsune also manufactures a variety of soft close dampening hardware. See page 256~265 for more information on that line of hardware.

The torque rating of an application can be determined by using the following equation:

$$\text{panel weight (in pounds)} \times \text{panel depth (in inches)} \times \frac{1}{2} = \text{torque (in lbs-in)}$$

- Avoid using torque hinges where the hinge would be exposed to constant use, sudden or unexpected shock, or extreme temperature and/or humidity. Please consider the following points while selecting a hinge:
- What angle will the panel be held at, and for how long?
- What will the hinge be attached to and how?
- Is torque required when the hinge is moved in both directions?
- What variance in torque is acceptable for your application?

Item No.	Torque (kgf-cm)	Torque (lbs-in)	Page	
HG-TQA90-A (B)	91.8-20~+40%	79.7-20~+40%	241	10 20 30 40 50 60 70 80 90 100 (kgf-cm)
HG-ITS25	25±20%	21.7±20%	242	
HG-ITS35	35±20%	30.4±20%		
HG-ITM50	50±20%	43.4±20%		
HG-ITM70	70±20%	60.8±20%		
HG-TS03	3.60-20~+40%	3.1-20~+40%	243	
HG-TS07	7.10-20~+40%	6.2-20~+40%		
HG-TS15	15.30-20~+40%	13.3-20~+40%		
SFTH	5~58±2 kgf-cm	4.3~50.3±1.7 lbs-in	244	
SK-T-ZA-1SCR (CR)	30.00±15%	26±15%		
SK-T-ZA-2SCR (CR)	20.00±15%	17±15%		
SK-T-ZA-3SCR (CR)	15.00±15%	13±15%		
HG-T30S15	30.6±20% 15.3±20%	26.5±20% 13±20%	245	
HG-T70S30	71.4±20% 30.6±20%	62±20% 26.6±20%		
HG-TA20R (L)	20.4±20%	17.7±20%	246	
HG-TA30R (L)	30.6±20%	26.5±20%		
HG-TA45R (L)	45.9±20%	39.8±20%		
HG-TB20R (L)	20.4±20%	17.7±20%		
HG-TB30R (L)	30.6±20%	26.5±20%		
HG-TB45R (L)	45.9±20%	39.8±20%		
HG-S30	30.6±20%	26.6±20%	247	
HG-S50	51.0±20%	44.3±20%		
HG-TU03	3.6-20~+40%	3.1-20~+40%		
HG-TU07	7.1-20~+40%	6.1-20~+40%		

1-WAY TORQUE HINGE



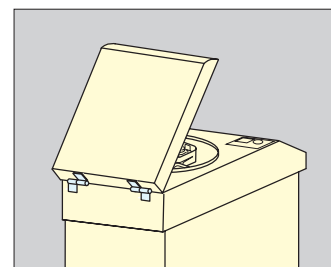
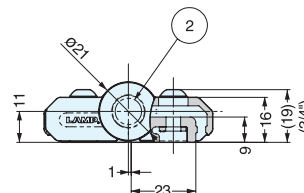
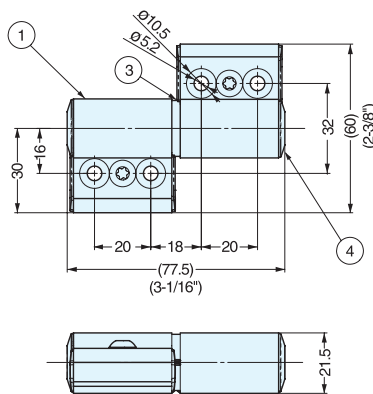
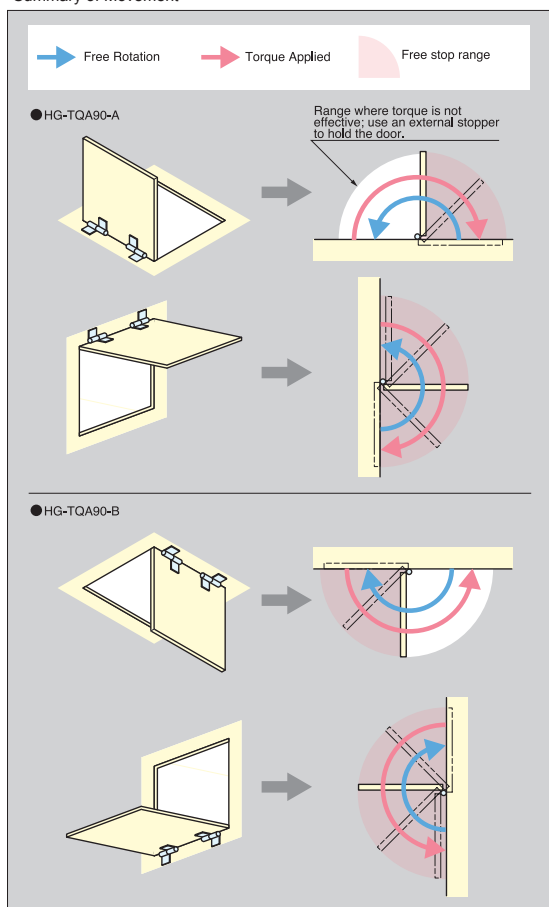
HG-TQA



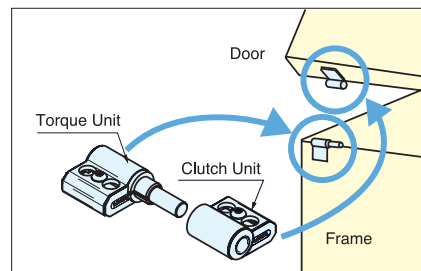
- Friction in one direction only:
HG-TQA90-A: free rotation when turned counterclockwise, constant torque is applied when turned clockwise.
HG-TQA90-B: free rotation when turned clockwise, constant is applied when turned counterclockwise.

- Note:
- Initial torque may vary - 20%~ + 40%.
 - Not suited to vibration environment.
 - Torque will be affected by temperature.
 - Not suitable for high frequency use.
 - Do not lubricate.
 - For indoor use only.

Summary of Movement



Installation



Item No.	Torque (kgf-cm)/pair	Weight (g)/pair	Box (set)	Carton (set)
HG-TQA90-A	91.8 (79.7 lbs-in)	270	10	100
HG-TQA90-B				

No.	Part Name	Material	Finish
①	Body	Aluminum Alloy	Anodized
②	Arm Shaft	Stainless Steel	Plain
③	Sleeve	Polyacetal (POM)	Black
④	Cover	Polyacetal (POM)	Black



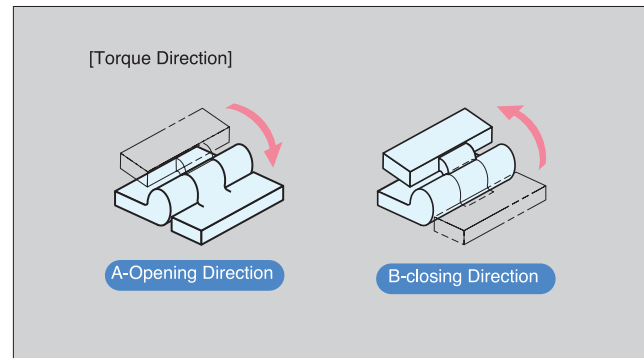
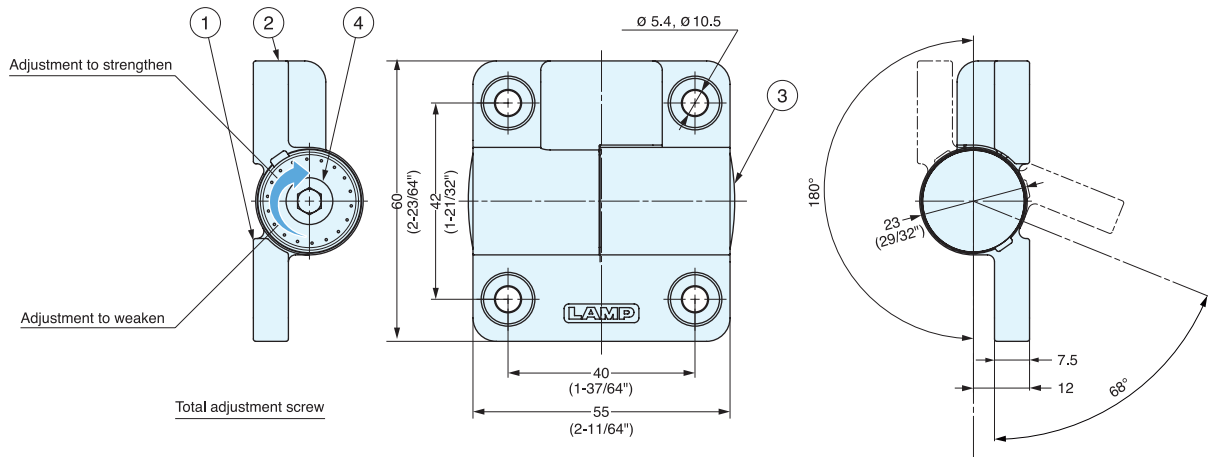
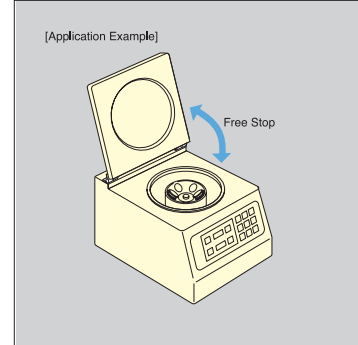
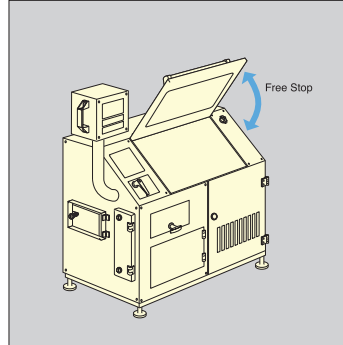
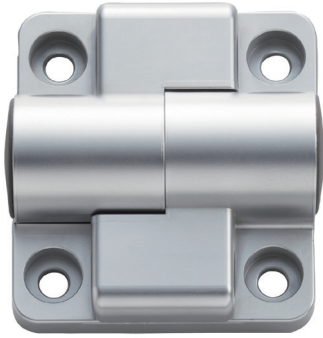
HG-TQJ100

1-WAY TORQUE HINGE (ADJUSTABLE)

HINGES

1-WAY TORQUE HINGE (ADJUSTABLE)

- Friction in one direction only.
- Torque strength adjustable.
- 2 versions available for friction torque at "opening" direction (type – A) and at closing direction (type – B).



Item No.	Torque Direction	Torque per piece (kgf·cm)
HG-TQJ100-A	Opening	0~102 (0~88.7 lbs·in)
HG-TQJ100-B	Closing	

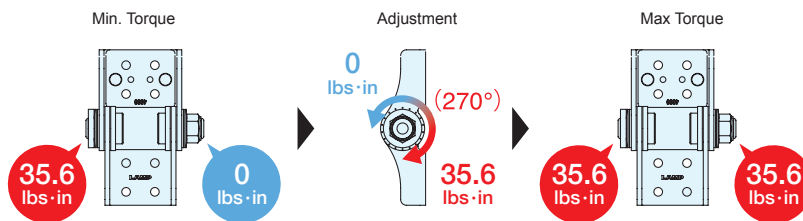
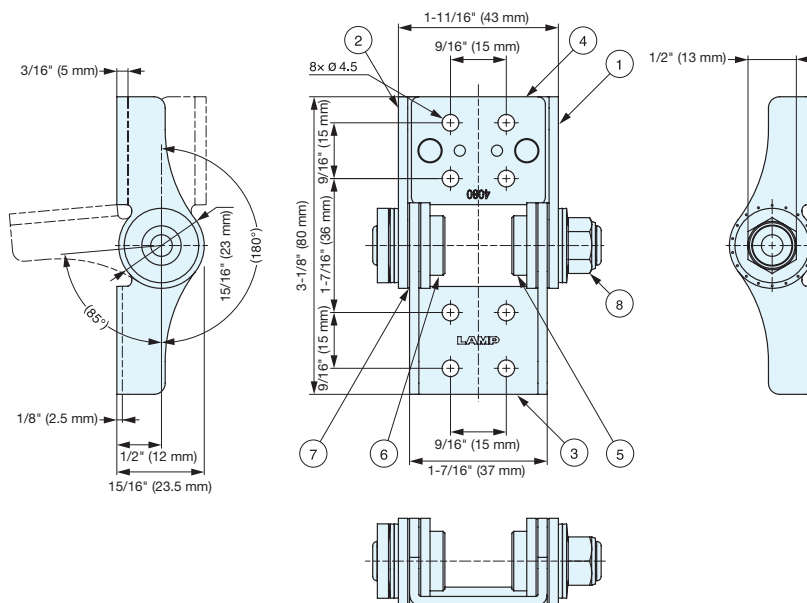
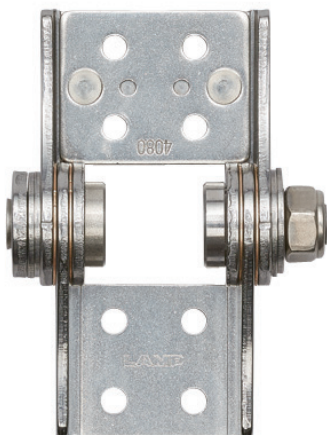
No.	Part Name	Material	Finish
①	Bracket A	Zinc Alloy	Silver
②	Bracket B		
③	Cover Cap	Polypropylene	Dark Grey
④	Torque adjustment screw	Steel	-

TORQUE HINGE (ADJUSTABLE)



HG-ITJ4080

- Torque strength is adjustable.
- Hinge with friction torque holds lid/door in desired position.
- High torque in a small profile.
- 35.6 lbs · in ±20% minimum torque



HINGES

TORQUE HINGES (ADJUSTABLE)

Item No.	Torque per piece	Weight (g)	Box (pcs)	Carton (pcs)
HG-ITJ4080	35.6~71.2 lbs·in (41~82 kgf·cm)	163	10	80
No.	Part Name	Material	Finish	
①	Bracket A	430 Stainless Steel	Mirror	
②	Bracket B			
③	Bracket C			
④	Plate			
⑤	Shaft A	Stainless Steel	Plain	
⑥	Shaft B			
⑦	Washer	Phosphor Bronze	Polished	
⑧	Nut (Torque Adjustment)	Stainless Steel	-	

STAINLESS STEEL TORQUE HINGE



HG-TP

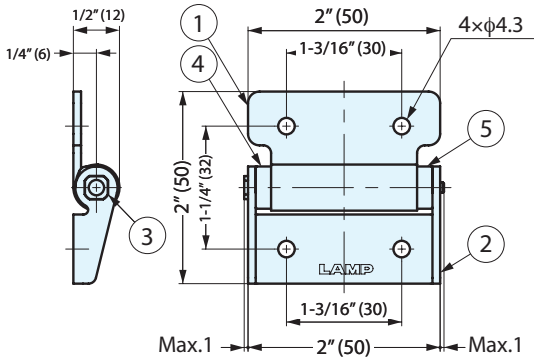
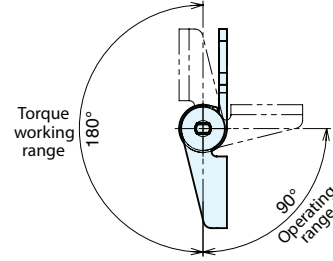
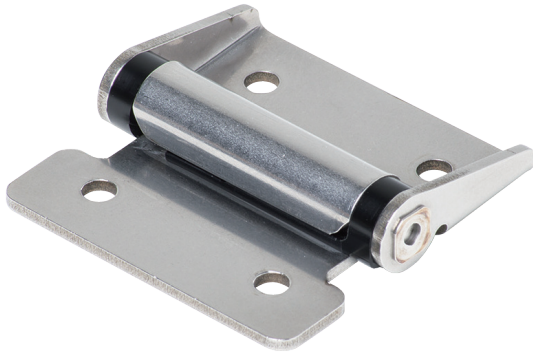
HINGES

STAINLESS STEEL TORQUE HINGES

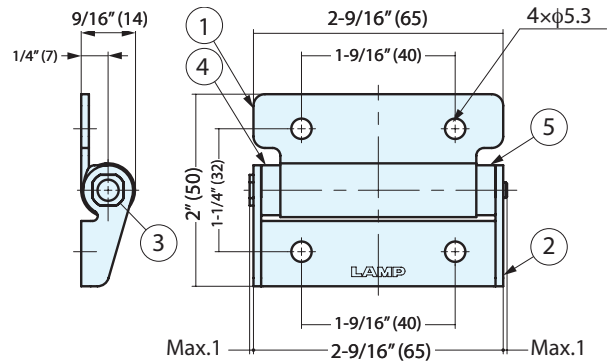
- Hinge with friction torque holds lid/door in desired position.
- Stainless steel material ideal for harsh environments.
- Free stop between 0-180 degrees.

Note:

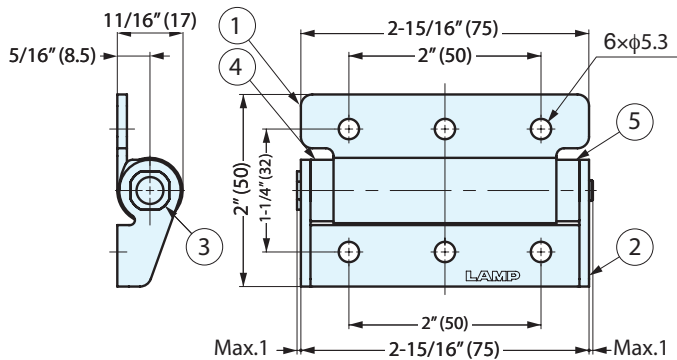
- At least 2 hinges necessary for 1 door.



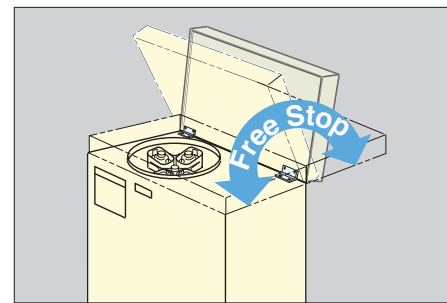
HG-TP20



HG-TP30



HG-TP45



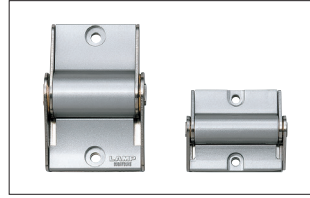
Item No.	Torque per piece (kgf-cm)	Weight (g)	Box (pcs)	Carton (pcs)
HG-TP20	20.3 (17.6 lbs-in)	60	50	200
HG-TP30	30.5 (26.5 lbs-in)	90	25	100
HG-TP45	45.8 (40 lbs-in)	150		

No.	Part Name	Material	Finish
①	Body	304 Stainless Steel	Polished
②	Base	304 Stainless Steel	Polished
③	Fixing Tube	Polyacetal	Black
④	Fixing Tube		
⑤	Shaft	303 Stainless Steel	-

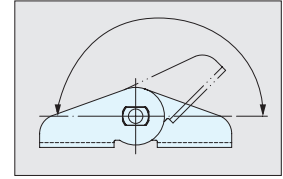
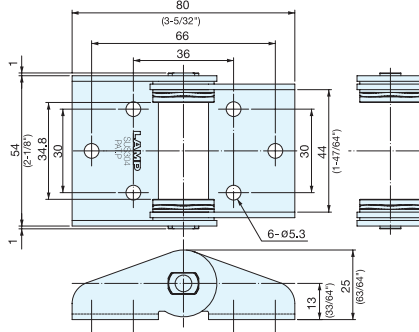
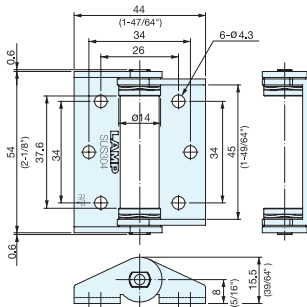
TORQUE HINGE



HG-IT



- Hinge with friction torque for holding monitors, displays etc. in position.
- Without friction torque available. (HG-ITSF, HG-ITMF)
- Optional cover available for clean appearance.
- Operating Temperature: - 10°C~50°C (14F°~122F°)



Applicable torque range

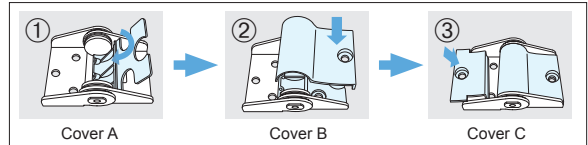
HG-ITM, HG-ITMF

* NSF Components

Item No.	Cover For	Weight (g)	Box (pcs)	Carton (pcs)
HG-ITSC*	HG-ITS, HG-ITSF	10	40	960
HG-ITMC*	HG-ITM, HG-ITMF	18	20	480

Item No.	Torque per piece (kgf-cm)	Weight (g)	Box (pcs)	Carton (pcs)
HG-ITSF	Free Movement	50	10	80
HG-ITMF	Free Movement	130		

Item No.	Torque per piece (kgf-cm)	Weight (g)	Box (pcs)	Carton (pcs)
HG-ITS25	25 (21.7 lbs-in) ±20%	50	20	160
HG-ITS35	35 (30.4 lbs-in) ±20%			
HG-ITM50	50 (43.4 lbs-in) ±20%	130	10	80
HG-ITM70	70 (60.8 lbs-in) ±20%			



HG-ITSC, HG-ITMC

Part Name	Material	Finish
Body	304 Stainless Steel	Polished
Shaft	303 Stainless Steel	Plain
Washer	Phosphor Bronze	Polished
Spring Washer	Steel	Nickel
Cover	ABS	Silver

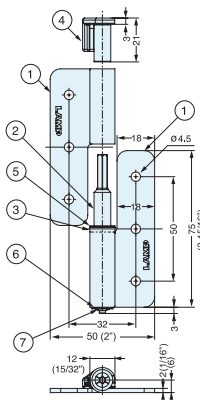
LIFT-OFF TORQUE HINGE



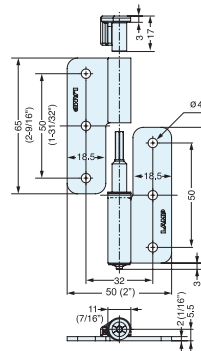
HG-KNT



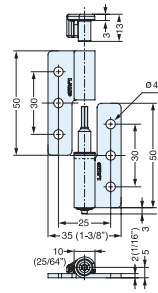
HG-KNT3L



HG-KNT 16

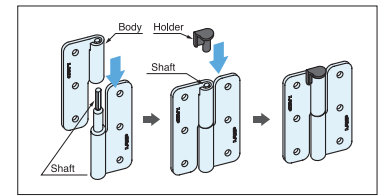


HG-KNT 7



HG-KNT 3

- Hinge with friction torque lift off feature for easy removal.
- Can be used horizontally.
- Passed 20,000 open/close cycle tests.



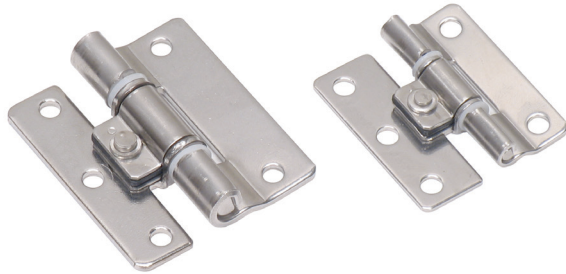
Item No.	Type	Torque per piece (kgf-cm)	Weight (g)	Box (pcs)	Carton (pcs)
HG-KNT3L	Left	3.1 (2.5 lbs-in) ± 20%	42	50	200
HG-KNT3R	Right				
HG-KNT7L	Left	7.1 (5.7 lbs-in) ± 20%	76	30	120
HG-KNT7R	Right				
HG-KNT16L	Left	16.3 (13.0 lbs-in) ± 20%	96	30	120
HG-KNT16R	Right				

No.	Part Name	Material	Finish
①	Body	304 Stainless Steel	Polished
②	Shaft		
③	Plug	Polyacetal	Black
④	Holder	Polyamide	
⑤	Washer A	PTFE	Natural
⑥	Washer B	Polyacetal	
⑦	Nut	Stainless Steel	-

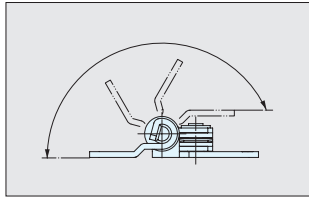
STAINLESS STEEL TORQUE HINGE



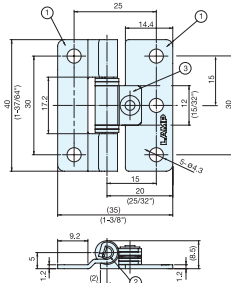
SFTH



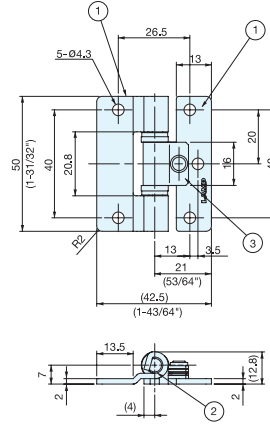
- Hinge with friction torque holds lid/door in desired position.
- Stainless steel construction for corrosive environments.
- Operating temperature: -20°C~60°C (-4°F~140°F)



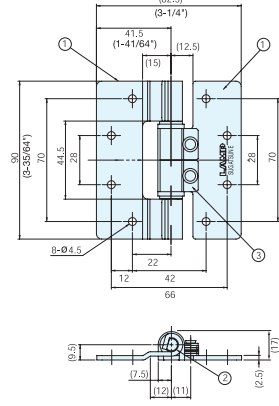
Applicable torque range



SFTH-02



SFTH-03



SFTH-05

Item No.	Torque per piece (kgf·cm)	Weight (g)	Box (pcs)	Carton (pcs)
SFTH-02-5	5 (4.3 lbs·in) ±1 kgf·cm	21	50	500
SFTH-03-9	9 (7.8 lbs·in) ±2 kgf·cm	51	30	300
SFTH-03-19	19 (16.5 lbs·in) ±2 kgf·cm			
SFTH-05-35	35 (30.4 lbs·in) ±5 kgf·cm	195	10	100
SFTH-05-58	58 (50.3 lbs·in) ±5 kgf·cm			

No.	Part Name	Material	Finish
①	Body A	304 Stainless Steel	Polished
②	Shaft	303 Stainless Steel	
③	Body B	301 Stainless Steel	

COMBINATION HINGE



HG-VH8

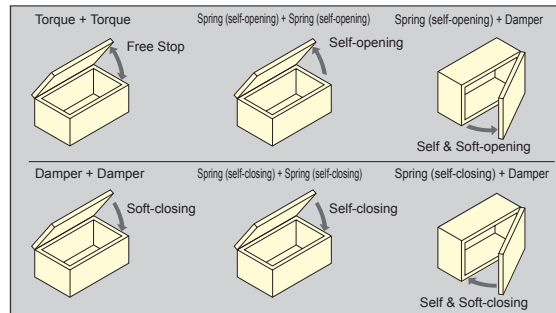
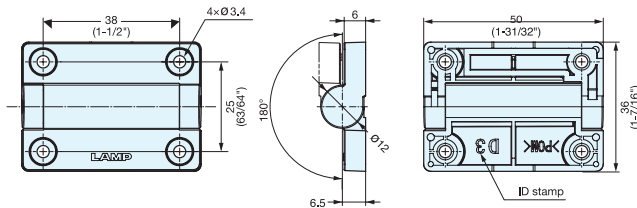


Black



White

- Hinges for light weight lids & doors.
- Various motions in same hinge case.
- Flexible combination.
- Lateral-opening door weight: Max. 810g (1.78 lbs)
Reference door size: W300×H450×t 5 mm
Acrylic plate, Density 1.2 g/cm3



*Increase of 0.16 kgf.cm for every 30° of rotation. Maximum rotation of 120°

Item No.	ID Stamp	Feature	Torque per piece (kgf·cm)	Opening angle	Material
HG-VH8-N-BL	N	Standard Movement	-	270°	Polyacetal
HG-VH8-N-WT					
HG-VH8-D3-BL	D3	Soft-Closing Damper	0.22~0.39 (0.19~0.34 lbs·in)		
HG-VH8-D3-WT					
HG-VH8-OP-BL	OP	Self-Opening Spring	0.16 kgf·cm~0.64 kgf·cm* (0.14~0.56 lbs·in)		
HG-VH8-OP-WT					
HG-VH8-CL-BL	CL	Self-Closing Spring	1.53±0.51 (1.33±0.44 lbs·in)		
HG-VH8-CL-WT					
HG-VH8-T15-BL	T1	Free Stop	3.57±1.02 (3.10±0.89 lbs·in)		
HG-VH8-T15-WT					
HG-VH8-T35-BL	T3				
HG-VH8-T35-WT					

TORQUE PIANO HINGE



HG-TLS30-50-300

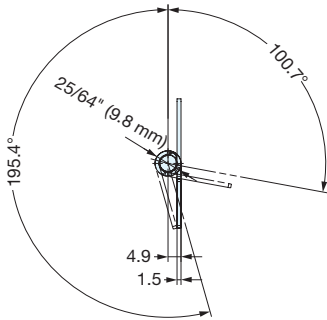
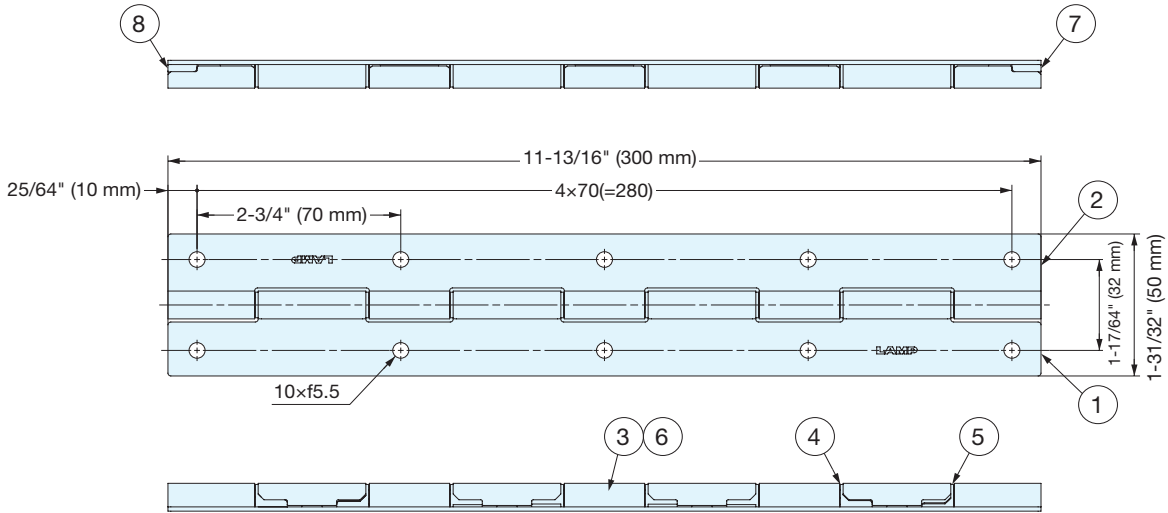
HINGES



- Unique long type torque piano hinge.
- Free stop function maintains a safe working environment
- Reduces gaps between housing and doors for industrial equipment and shopfittings to improve security and reduce danger
- Greaseless hinge allows for water-drop level exposure
- Can be used in multiples for doors larger than 12"
- Successfully passed 30,000 private cycle tests for vertical and horizontal applications



For opening/closing of maintenance machine doors.



No.	Part Name	Material
①	Hinge A	304 Stainless Steel
②	Hinge B	
③	Shaft	
④	Plug L	POM
⑤	Plug R	
⑥	Collar	
⑦	Holder L	PA (Plastic)
⑧	Holder R	

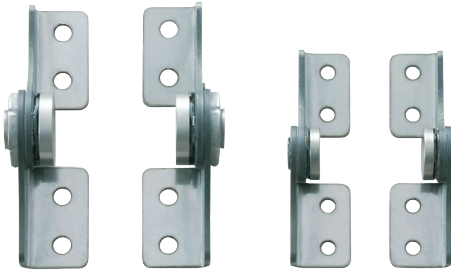
Item No.	Torque	Weight (g)	Box (pcs)	Carton (pcs)
HG-TLS30-50-300	25 lbs·in (29 kgf·cm)	396	5	20

TORQUE PIANO HINGES

TORQUE HINGE



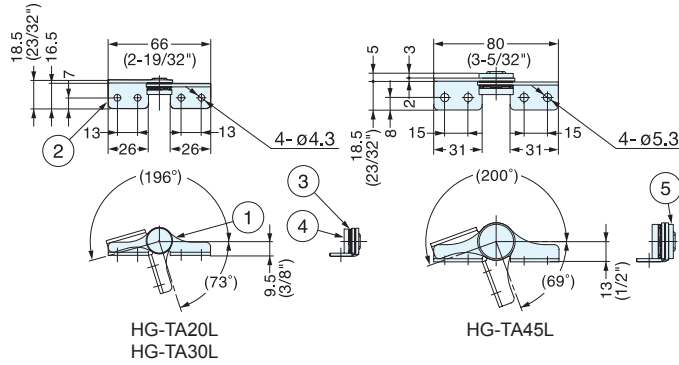
HG-TA



- Free stop hinge with friction torque.
- Consistent torque through out working range.
- Opening angle 0°~180°.

Applications:

- Ideal for indoor applications.
- LCD monitors, stationary cameras, displays, etc.



Item No.	Type	Torque per piece (kgf·cm)	Weight (g)	Box (pcs)	Carton (pcs)
HG-TA20R	Right hand	20.4 ±20% (17.7 lbs·in ±20%)	30	40	320
HG-TA20L	Left hand				
HG-TA30R	Right hand	30.6 ±20% (26.5 lbs·in ±20%)	65	20	160
HG-TA30L	Left hand				
HG-TA45R	Right hand	45.9 ±20% (39.8 lbs·in ±20%)	65	20	160
HG-TA45L	Left hand				

No	Part Name	Material	Finish
①	Hinge A	430 Stainless Steel	Plain
②	Hinge B		
③	Spring Washer	Steel	-
④	Shaft	303 Stainless Steel	-
⑤	Washer	430 Stainless Steel	-

TORQUE HINGE



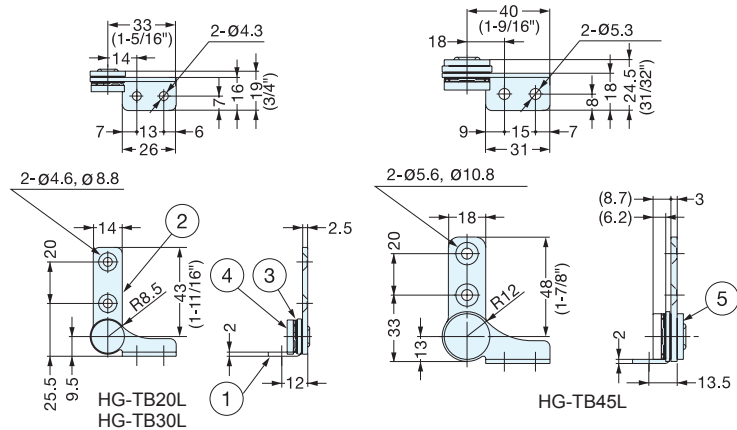
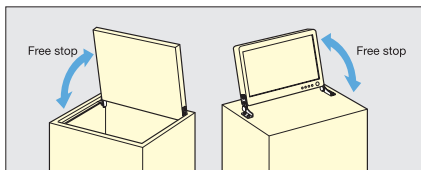
HG-TB



- Free stop hinge with friction torque.
- Consistent torque through out working range.
- Opening angle 360°.

Applications:

- Ideal for indoor applications.
- LCD monitors, stationary cameras, displays, etc.



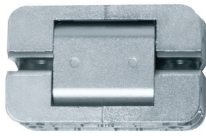
Item No.	Type	Torque per piece (kgf·cm)	Weight (g)	Box (pcs)	Carton (pcs)
HG-TB20R	Right hand	20.4±20% (17.7 lbs·in ±20%)	30	40	320
HG-TB20L	Left hand				
HG-TB30R	Right hand	30.6±20% (26.5 lbs·in ±20%)	65	20	160
HG-TB30L	Left hand				
HG-TB45R	Right hand	45.9±20% (39.8 lbs·in ±20%)	65	20	160
HG-TB45L	Left hand				

No	Part Name	Material	Finish
①	Hinge A	430 Stainless Steel	Plain
②	Hinge B		
③	Spring Washer	Steel	-
④	Shaft	303 Stainless Steel	-
⑤	Washer	430 Stainless Steel	-

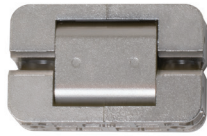
DUAL AXIS TORQUE HINGE



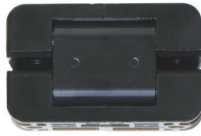
HG-TMH



Chrome



Satin Nickel

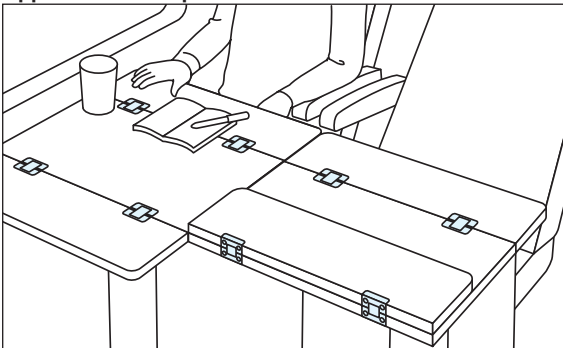


Black

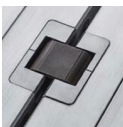
- A torque hinge that can be opened 180°.
- Shafts do not protrude when the hinge is fully opened or closed.
- Easy to operate as the two shafts have different torque and move one at a time.
- Ideal for folding tables in shops, trains, caravans, etc.



Application Example



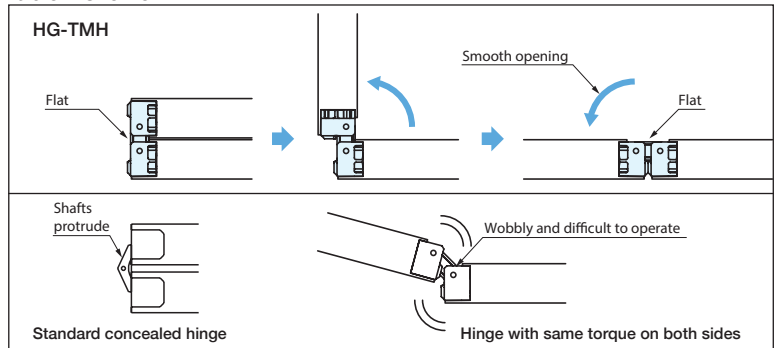
When fully opened.



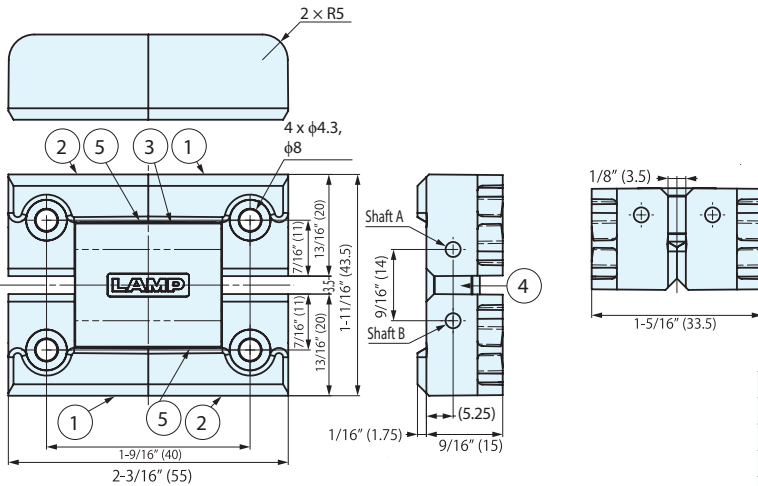
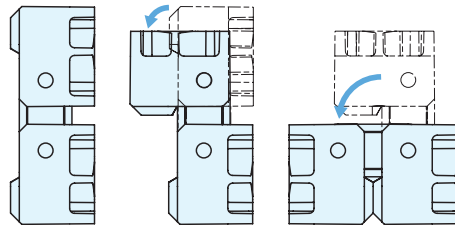
Lays flat so shafts do not protrude.

No visible screw holes when closed.

Table Movement



Hinge Movement



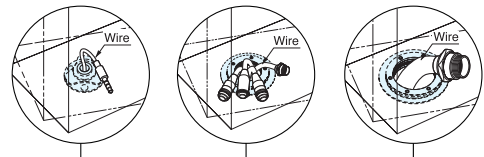
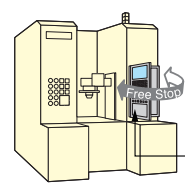
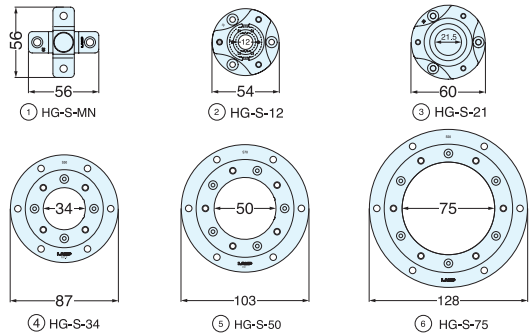
No.	Part Name	Material	Finish/Color
①	Main BodyA	Zinc Alloy	Chrome, Satin Nickel, Black
②	Main BodyB		
③	Intermediate Body		
④	Sleeve	Plastic (PBT)	Black
⑤	Bumper		

Item No.	Finish	Shaft A Torque (kgf-cm)	Shaft B Torque (kgf-cm)	Weight (g)	Box (pcs)	Carton (pcs)
HG-TMH2030-CR	Chrome	20.4±20%	30.6±20%	165	10	50
HG-TMH1530-CR		15.3±20%				
HG-TMH2030-SN	Satin Nickel	20.4±20%				
HG-TMH1530-SN		15.3±20%				
HG-TMH2030-BL	Black	20.4±20%				
HG-TMH1530-BL		15.3±20%				

SWIVEL TORQUE HINGE



HG-S



Select appropriate model for wire size.

- Rotation angle: 360°
- Free stop function.

Use for:

- Industrial control panels and monitors.

- Note:
- Initial torque may vary ±20%.
 - Do not lubricate.
 - For indoor use only.

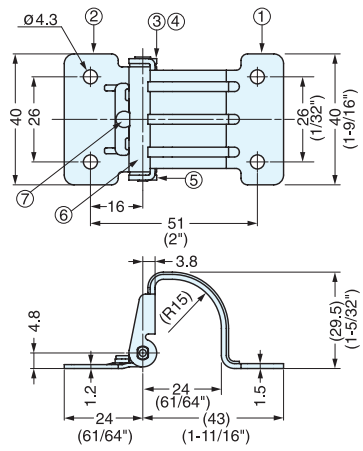
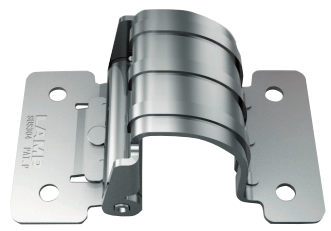
Item No.	No.	Outer Dimension (mm)	Center Hole Diameter (mm)	Torque per piece (kgf·cm)
HG-S7-MN	①	56 (2-3/16")	-	7.1 ± 20% (6.2 lbs-in)
HG-S20-MN				20.4 ± 20% (17.7 lbs-in)
HG-S30-12	②	54 (2-1/8")	12.0 (1/2")	30.6 ± 20% (26.6 lbs-in)
HG-S50-12				51.0 ± 20% (44.3 lbs-in)
HG-S30-21	③	60 (2-3/8")	21.5 (7/8")	30.6 ± 20% (26.6 lbs-in)
HG-S50-21				51.0 ± 20% (44.3 lbs-in)
HG-S50-34	④	87 (3-7/16")	34.0 (1-5/16")	51.0 ± 20% (44.3 lbs-in)
HG-S70-34				71.4 ± 20% (62.1 lbs-in)
HG-S70-50	⑤	103 (4-1/16")	50.0 (2")	71.4 ± 20% (62.1 lbs-in)
HG-S100-50				102.0 ± 20% (88.7 lbs-in)
HG-S50-75	⑥	128 (5-1/16")	75.0 (2-15/16")	51.0 ± 20% (44.3 lbs-in)
HG-S70-75				71.4 ± 20% (62.1 lbs-in)

Part Name	Material	Finish
Plate	430 Stainless Steel	Barrel Polished
Washer		
F Plate	Bronze	
Spring Washer	Stainless Steel/ Steel (HG-S-12)	
Shaft	303 Stainless Steel (HG-S7,S20)	-
Bush	POM(HG-S-34)	
Sleeve	303 Stainless Steel (HG-S30,S50)	

HIDDEN TORQUE HINGE

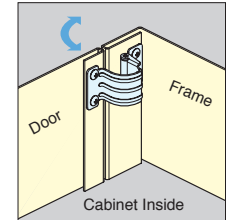
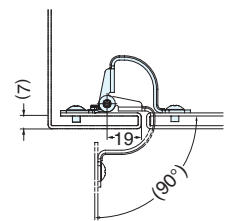


HG-TU



- Installation on the back side of the door.
- Can be used both for horizontal and vertical applications.

- Note:
- Initial torque may vary -20%~+40%.
 - Not suitable for high frequency use.
 - Do not lubricate.
 - For indoor use only.



Item No.	Torque per piece (kgf·cm)	Weight (g)	Box (pcs)	Carton (pcs)
HG-TU03	3.6 (3.1 lbs-in)	50	20	200
HG-TU07	7.1 (6.2 lbs-in)			

No	Part Name	Material	Finish
①	Body	430 Stainless Steel	Polished
②	Base		
③	Fixing Tube	Polyacetal	Black
④	Fixing Tube		
⑤	Shaft	303 Stainless Steel	-
⑥	Press Washer	430 Stainless Steel	Polished
⑦	Pin		-

CONCEALED TORQUE HINGE



HG-TUWA

HINGES

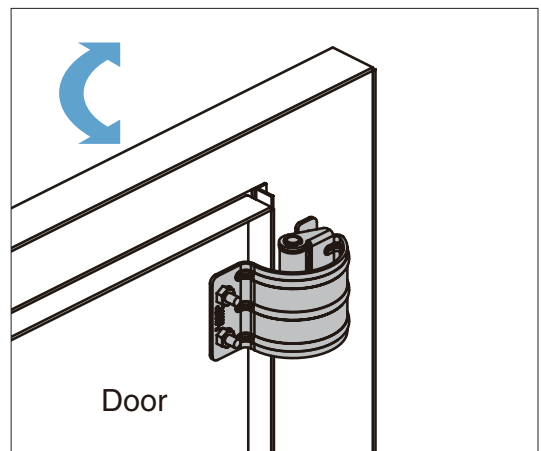
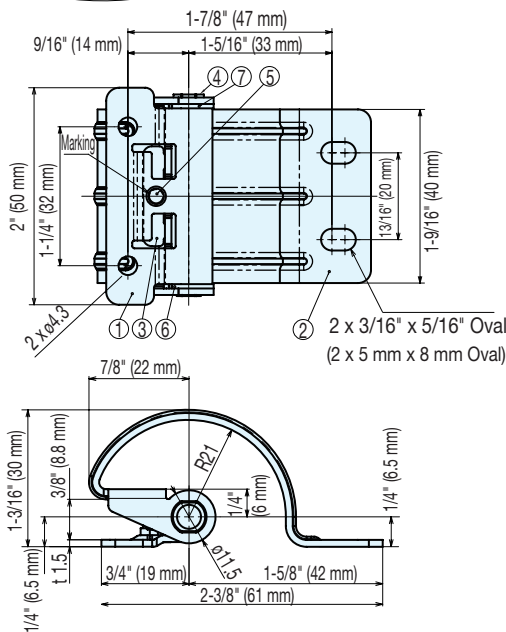
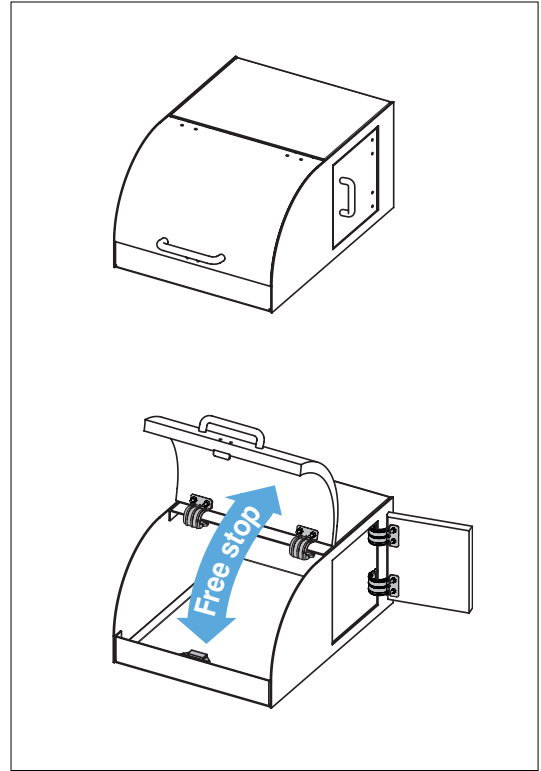
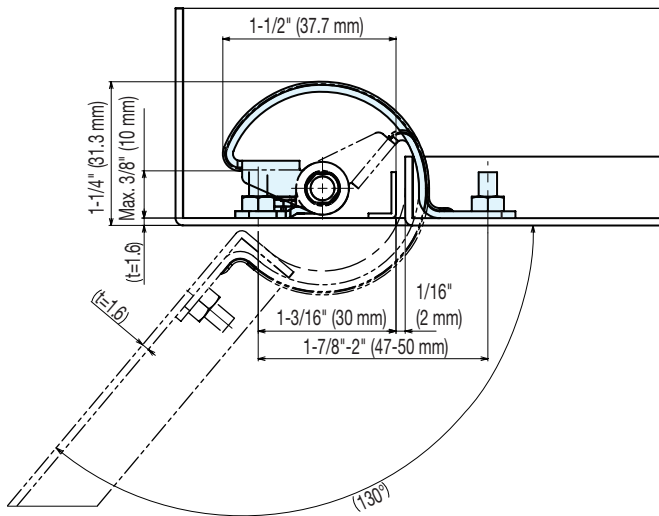
HIDDEN TORQUE HINGES



- High torque and wide opening angle (130°).
- Installation on the back side or inner side of the door for a clean aesthetics and appearance.
- Can be used horizontally or vertically.
- When installing, ensure that both hinge shafts are aligned.
- Successfully passed 20,000 open/close private cycle tests.

Note:

- Initial torque may vary -20%~+40%.
- Not suitable for high frequency use.
- Do not lubricate.



No	Part Name	Material	Finish
①	Body	304 Stainless Steel	Polished
②	Base		
③	Press Washer	303 Stainless Steel	-
④	Shaft		
⑤	Pin	Stainless Steel	
⑥	Fixing Tube L	Plastic	Black
⑦	Fixing Tube R		

Item No.	Torque per piece (kgf-cm)	Weight (g)	Box (pcs)	Carton (pcs)
HG-TUWA07	7.1 (6.2 lbs-in)	88	20	100
HG-TUWA15	15.3 (13.2 lbs-in)			

TORQUE DAMPER INTRODUCTION



UDH-14



UDH-16



UDH



UDH-16N

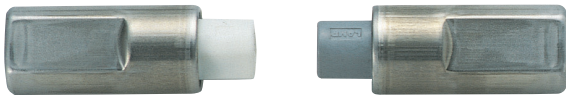
- Keeps lid from slamming shut.
- Hinge torque within compact cartridge.
- Operating temperature: 0°C~40°C (32°F~104°F)

Item No.	Torque per piece (kgf·cm)	Torque per piece (lbs·in)	Page	10	20	30	40 (kgf·cm)
UDH-14A (B) LS	5.1~8.2	4.4~7.1	254	[Bar chart showing torque range]			
UDH-14A (B) MS	8.2~15.3	7.1~13.3					
UDH-14A (B) HS	15.3~25.5	13.3~22.1					
UDH-16A (B) MS	10.2~17.3	8.8~15.0	255	[Bar chart showing torque range]			
UDH-16A (B) HS	17.3~25.5	15.0~22.0					
UDH-16NA (B) MS	17.3~24.5	15.0~21.2					
UDH-16NA (B) HS	22.4~30.6	19.4~26.6					
UDH-A (B) MS	15.3~25.5	13.0~21.0					
UDH-A (B) HS	25.5~35.7	21.0~30.0					
UDH-AGS	35.0~40.0	30.0~34.0					

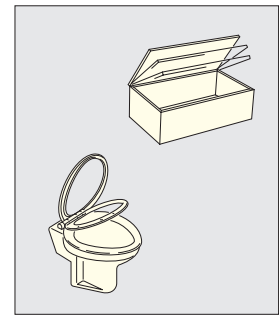
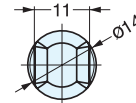
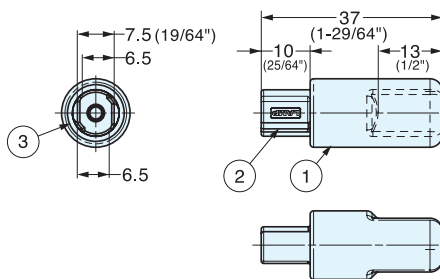
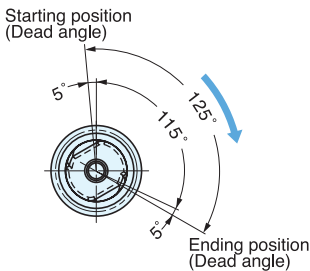
TORQUE DAMPER



UDH-14



- Keeps lid from slamming shut.
- High torque within compact cartridge.
- Operating temperature: 0°C~40°C (32°F~104°F)



Application

No	Part Name	Material	Finish
①	Body	304 Stainless Steel	Plain
②	Shaft	PBT Plastic	A-White, B-Grey
③	Cover Ring		-

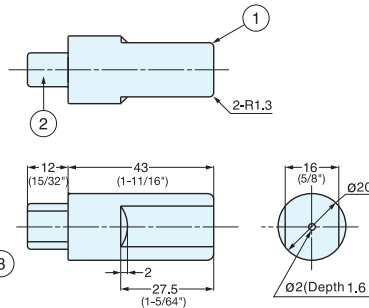
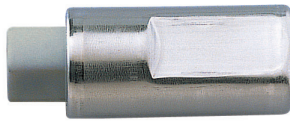
* NSF Component

Item No.	Torque per piece (kgf·cm)	Dampening Direction	Weight (g)	Box (pcs)	Carton (pcs)
UDH-14ALS	5.1~8.2 (4.4~7.1 lbs·in)	Counter Clockwise	10	40	400
UDH-14BLS		Clockwise			
UDH-14AMS*	8.2~15.3 (7.1~13.3 lbs·in)	Counter Clockwise			
UDH-14BMS		Clockwise			
UDH-14AHS*	15.3~25.5 (13.3~22 lbs·in)	Counter Clockwise			
UDH-14BHS*		Clockwise			

TORQUE DAMPER

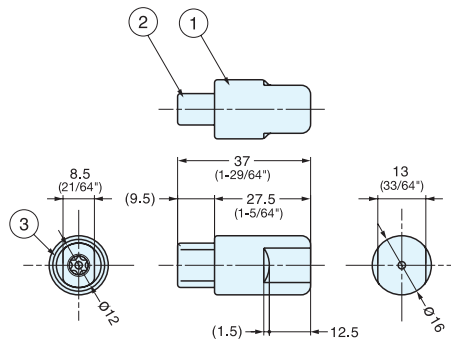
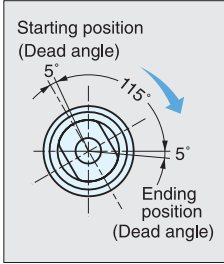


UDH

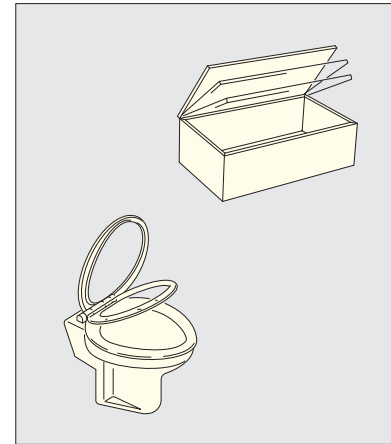


UDH Type

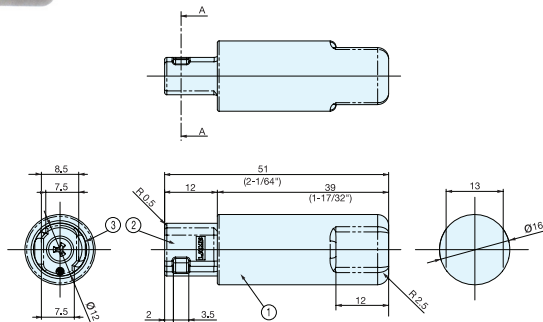
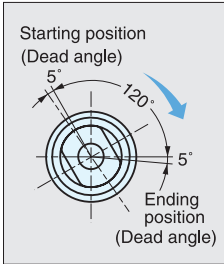
- Keeps lid from slamming shut.
- High torque within compact cartridge.
- Operating temperature: 0°C~40°C (32°F~104°F)



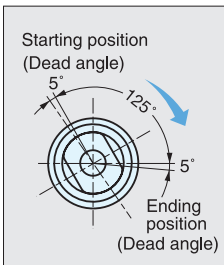
UDH-16 Type



Application



UDH-16N Type



UDH Type

No.	Part Name	Material	Finish/Color
①	Body	304 Stainless Steel	Plain
②	Shaft	PBT Plastic	A-White, B-Grey
③	Cover Ring	304 Stainless Steel	-

UDH-16 Type

No.	Part Name	Material	Finish/Color
①	Body	304 Stainless Steel	Plain
②	Shaft	PBT Plastic	A-White B-Grey
③	Cover Ring		-

UDH-16N Type

No.	Part Name	Material	Finish/Color
①	Body	304 Stainless Steel	Plain
②	Shaft	PBT Plastic	A-White B-Grey
③	Cover Ring	PPS Plastic	-

Item No.	Torque per piece (kgf·cm)	Dampening Direction	Weight (g)	Carton (pcs)
UDH-AMS	15.0~25.0 (13~21 lbs-in)	Counter Clockwise	38	200
UDH-BMS		Clockwise		
UDH-AHS	25.0~35.0 (21~30 lbs-in)	Counter Clockwise		
UDH-BHS		Clockwise		
UDH-AGS	35.0~40.0 (30~34 lbs-in)	Counter Clockwise	16	200
UDH-16AMS	10.2~17.3 (8.8~15 lbs-in)	Counter Clockwise		
UDH-16BMS		Clockwise		
UDH-16AHS	17.3~25.5 (15~22 lbs-in)	Counter Clockwise		
UDH-16BHS		Clockwise		
UDH-16N AMS	17.3~24.5 (15~21.2 lbs-in)	Counter Clockwise	20	200
UDH-16N BMS		Clockwise		
UDH-16N AHS	22.4~30.6 (19.4~26.6 lbs-in)	Counter Clockwise		
UDH-16N BHS		Clockwise		

SOFT-CLOSE DAMPENING HINGE



HG-JHM9



HG-JHM9-S

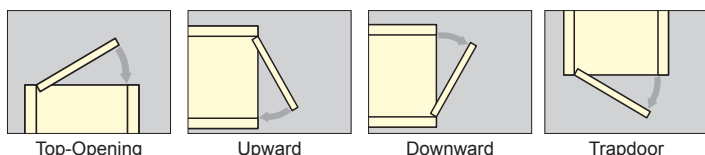
Black



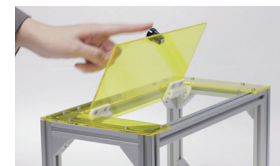
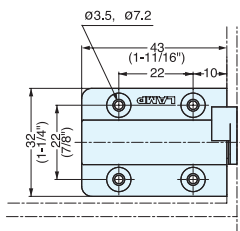
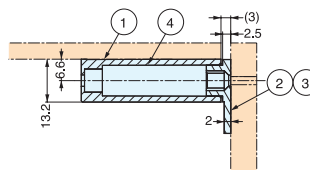
HG-JHM9-U

White

Damping direction



- Hinge with damper built-in to keep lid from slamming shut.
- Surface mounts into the lid.
- Side panel or under panel mounted.
- Sold as a set.



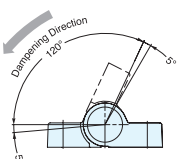
Item No.	Shaft Color	Type	Torque per pair (kgf·cm)
HG-JHM9-S-BL	Black	Side Panel Mount	0.55~0.88 (0.48~0.77 lbs-in)
HG-JHM9-S-WT	White		
HG-JHM9-U-BL	Black	Under Panel Mount	
HG-JHM9-U-WT	White		

No.	Part Name	Material	Finish
①	Bracket	Polyacetal	Black/White
②	Mounting Plate R	PBT plastic	
③	Mounting Plate L		
④	Damper	Polyacetal	-

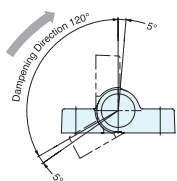
SOFT-CLOSE HINGE



HG-JHW16S

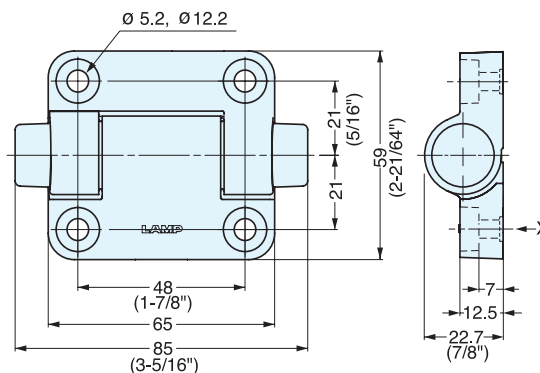


HG-JHW16S



HG-JHW16SG

- Hinge with built-in damper to keep lid from slamming.
- Torque calculation:
- Torque = Door Height x 1/2 Door Weight.
- Passed 70,000 open/close cycle tests.



Item No.	Damper Direction	Torque (kgf·cm)	Weight (g)	Box (pcs)
HG-JHW16S-34	Closing	20~35 (17~30 lbs-in)	83	30
HG-JHW16S-50		35~51 (30~44 lbs-in)		
HG-JHW16S-34G	Opening	20~35 (17~30 lbs-in)		
HG-JHW16S-50G		35~51 (30~44 lbs-in)		
HG-JHW16S-00	No Damper	-	52	

Part Name	Material	Finish/Color
Bracket	PBT plastic	Dark Grey
Cap	Polypropylene	-
Damper	304 Stainless Steel	Plain

SOFT-OPEN DAMPENING HINGE



HG-JHS9

HINGES

SOFT-OPEN DAMPENING HINGES

- Soft opening hinge, push latch sold separately.
- Built in damper for soft opening.
- Sold as a set.
- For inset applications.
- 105 degrees opening angle.



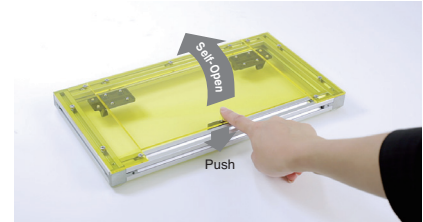
HG-JHS9-S

Black

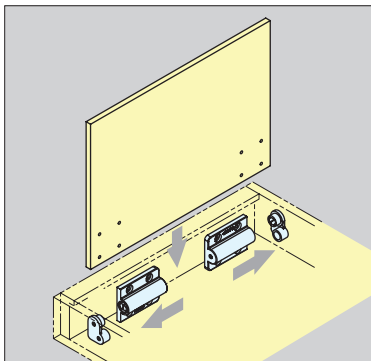
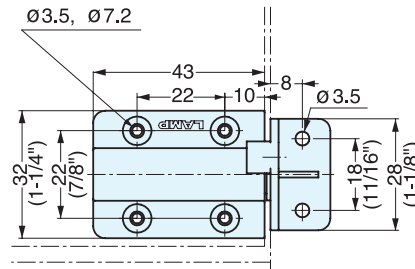
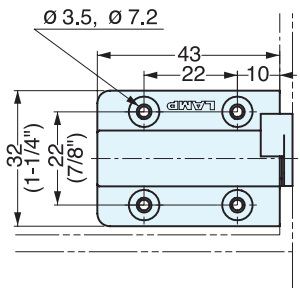
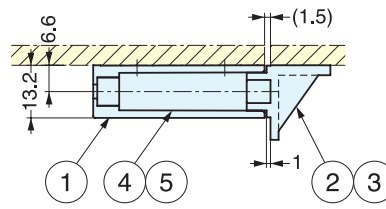
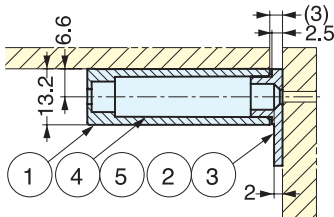
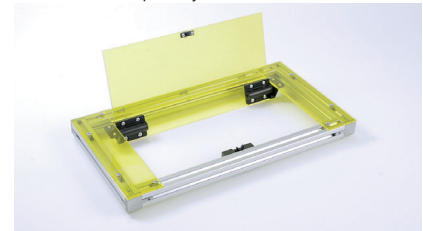


HG-JHS9-U

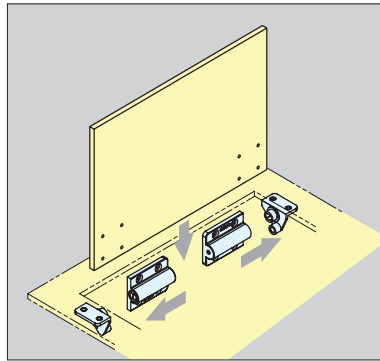
White



Push latch sold separately



Side Mount



Under Mount

Item No.	Color	Type	Torque per piece (kgf-cm)
HG-JHS9-S-BL	Black	Side Panel Mount	0.28~0.44 (0.24~0.38 lbs-in)
HG-JHS9-S-WT	White		
HG-JHS9-U-BL	Black	Under Panel Mount	
HG-JHS9-U-WT	White		

No.	Part Name	Material	Finish
①	Bracket	Polyacetal	Black/White
②	Mounting Plate R	PBT plastic	
③	Mounting Plate L		
④	Damper	Polyacetal	-
⑤	Spring	Zinc Alloy	Spring

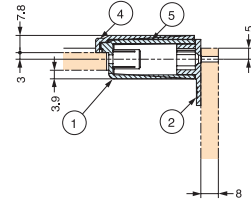
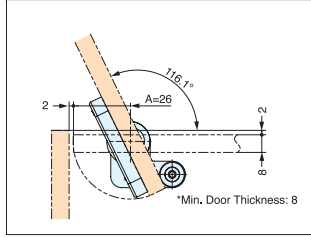
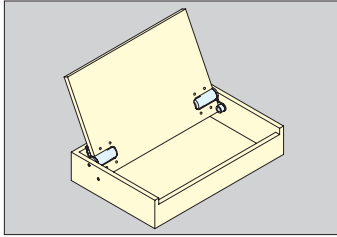
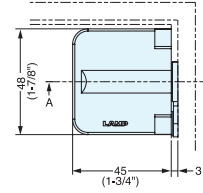
SOFT-CLOSE DAMPENING HINGE



HG-JHM14



- Hinge with built-in damper to keep lid from slamming shut.
- Mortise mount type.



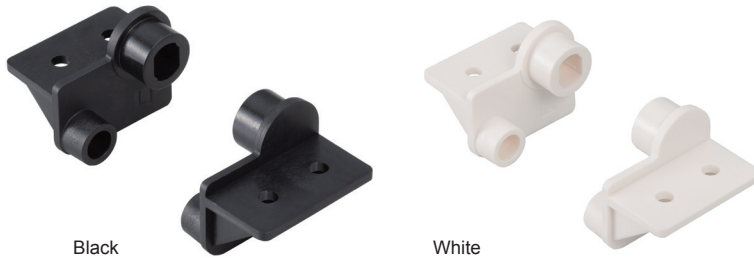
Item No.	Color	Torque per piece (kgf·cm)	Weight (g)	Box (pcs)	Carton (pcs)
HG-JHM14-S-8BL	Black	5~8 (4.3~7 lbs-in)	51	20	220
HG-JHM14-S-8WT	White				
HG-JHM14-S-15BL	Black	8~15 (7.0~13 lbs-in)	51	20	220
HG-JHM14-S-15WT	White				
HG-JHM14-S-20BL	Black	15~20 (13.0~17 lbs-in)	51	20	220
HG-JHM14-S-20WT	White				

No.	Part Name	Material	Finish
①	Bracket	Polyacetal	Black /White
②	Mounting Plate R	PBT plastic	
③	Mounting Plate L		ABS plastic
④	Face Plate	ABS plastic	
⑤	Damper	304 Stainless Steel	-

UNDER PANEL MOUNTING BRACKET



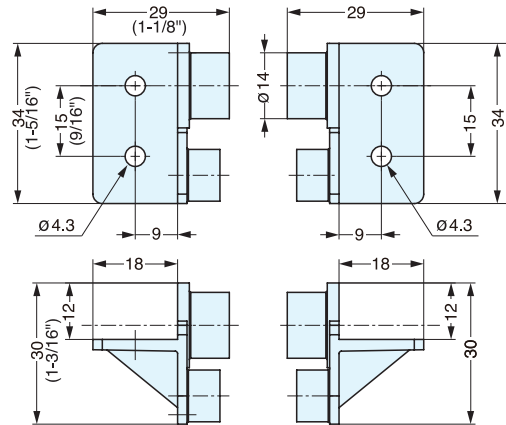
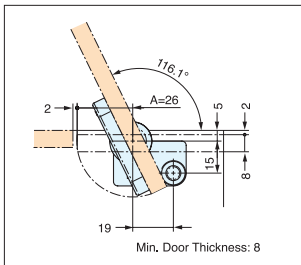
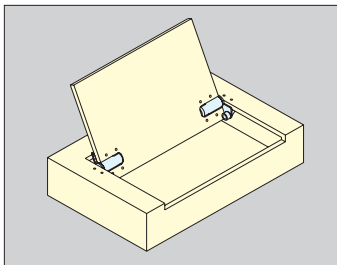
UKZ14



Black

White

- Under panel installation bracket for HG-JHM14 Soft-Close hinge.



Item No.	Material	Color
UKZ14-BL	PBT Plastic	Black
UKZ14-WT		White

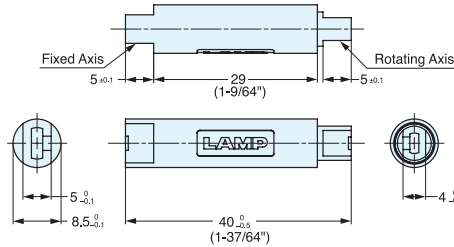
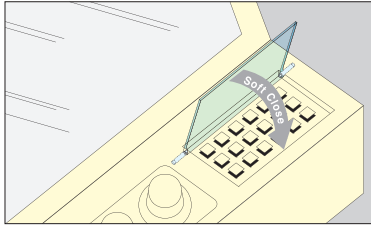
ROTARY DAMPER



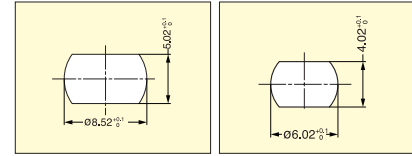
URD8-3



- 360 degree rotary damper.
- Cylindrical shape for concealed application.
- For inset applications.



Cut-Out Dimension

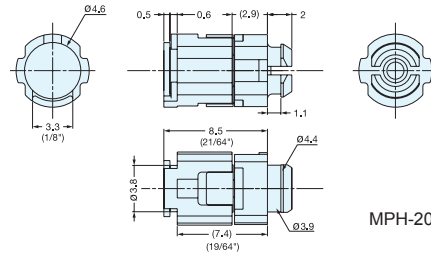
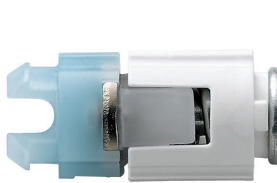


Item No.	Material	Finish	Torque per piece (kgf·cm)	Weight (g)
URD8-3	Polyacetal	Plain	0.22~0.39 (0.19~0.26 lbs·in)	2.5

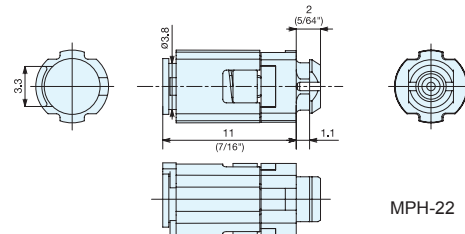
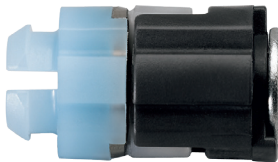
MICRO DETENT HINGE



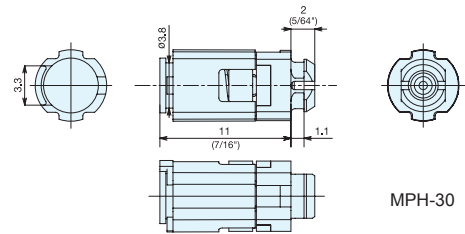
MPH



MPH-20-5



MPH-22



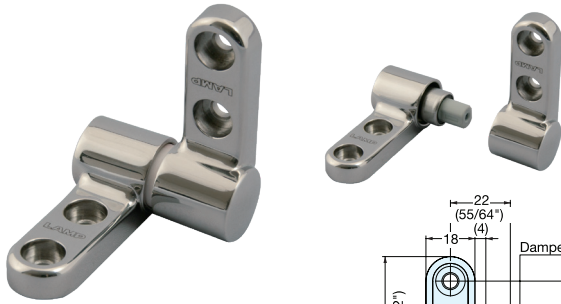
MPH-30

Item No.	Weight (g)	Carton (pcs)	Part Name	Material	Finish
MPH-20-5	0.46 (0.02 oz)	4000	Body	Polyacetal	Grey
MPH-22	0.62 (0.02 oz)		Spindle	Steel	Yellow Zinc Chromate
MPH-30	1.01 (0.04 oz)				

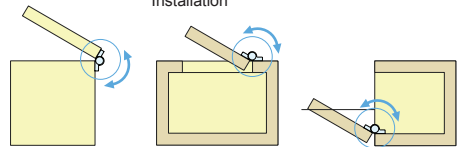
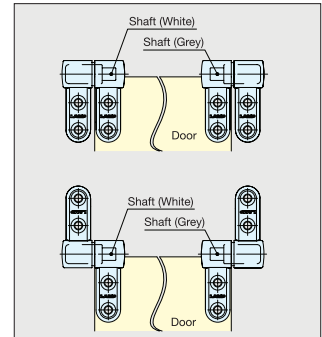
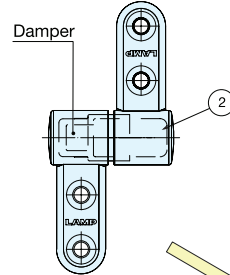
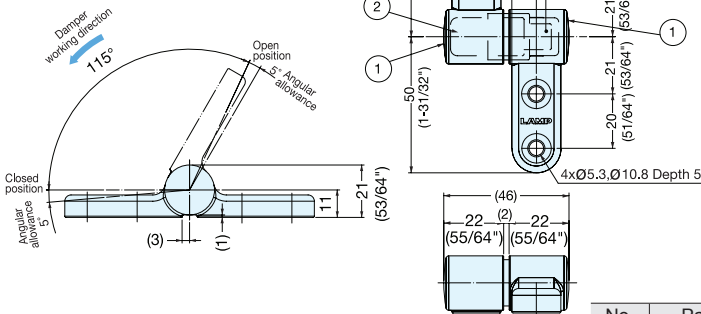
STAINLESS STEEL SOFT-CLOSE HINGE



HG-JH14-50



- Soft-Close damper keeps lid from slamming shut.
- Surface mount type.
- Operating temperature: 0~40°C (32~104°F)
- Operating angle: 115°/Dead angle 5°
- Sold in pairs.



No.	Part Name	Material	Finish
①	Bracket	SCS13 Stainless Steel (Similar to SUS304)	Mirror
②	Damper	304 Stainless Steel/PBT Plastic	Plain

Item No.	Torque per pair (kgf-cm)	Weight (g)	Box (set)	Carton (set)
HG-JH14-50	30~51 (26~44 lbs-in)	254/pair	1	48

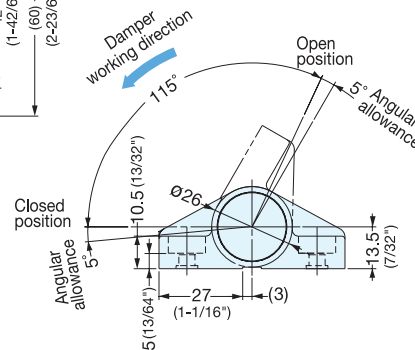
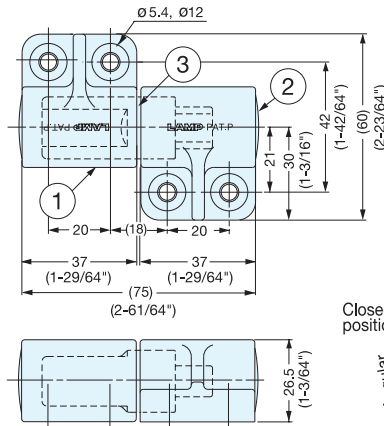
SOFT-CLOSE HINGE



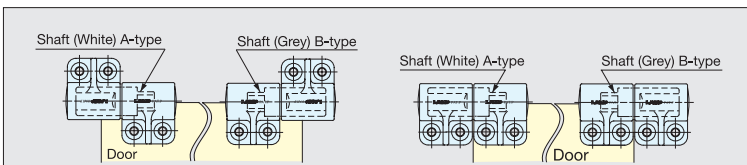
HG-JH



- Soft-Close damper keeps lid from slamming shut.
- Surface mount type.
- Operating temperature: 0~40°C (32~104°F)
- Operating angle: 115°/Dead angle 5°
- Sold in pairs.



*A-type damper: Damper works counterclockwise.
 *B-type damper: Damper works clockwise.
 *Sold in pairs. (Each of A/B type)



Left-Hand Damper is shown

No.	Part Name	Material	Color
①	Bracket	PBT Plastic/Zinc Alloy	Dark Grey
②	Cap	Polypropylene	
③	Damper	304 Stainless Steel	Plain

Item No.	Shaft Color		Torque per pair (kgf-cm)	Weight (g)	Box (pairs)	Carton (pairs)
HG-JH25	White (A-type)	Grey (B-type)	31~51 (27~44 lbs-in)	180/pair	4	64
HG-JH35			51~71 (44~61 lbs-in)			

SOFT-CLOSE HINGE



HG-JHM16

HINGES



- Hinge with damper built-in to keep lid from slamming shut.
- Mortise mount type.
- Ideal for small size lid.
- Sold in pairs.
- Torque Calculation:
 $\text{Torque} = \text{Door Height} \times 1/2 \times \text{Door Weight}$
 *Please see diagram below for applicable torque moment.
 *Please specify color of face plate (sold separately) when ordering.
 *Please install Left and Right brackets on correct side.



Bracket/Mounting Plate

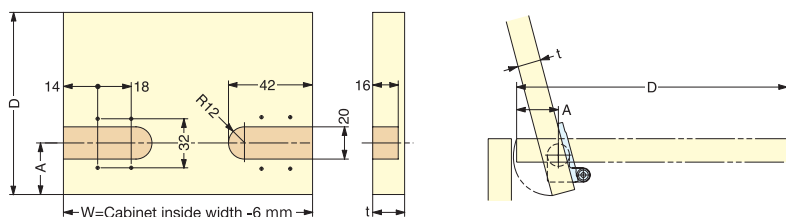
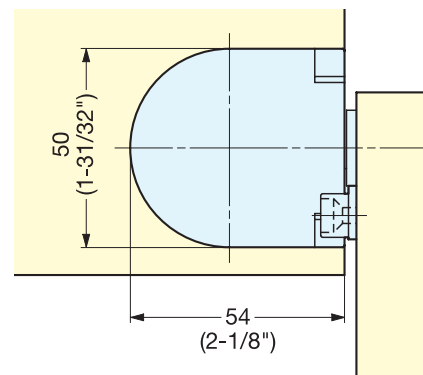
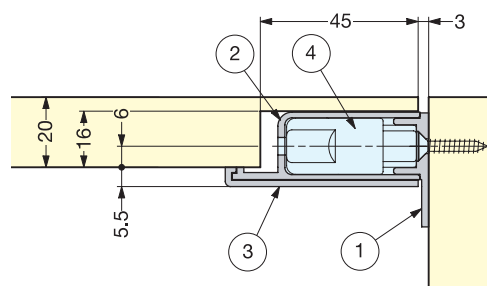
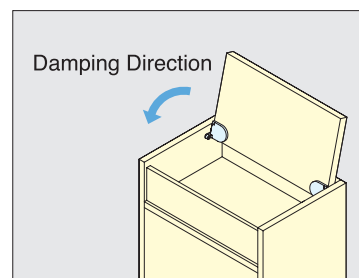
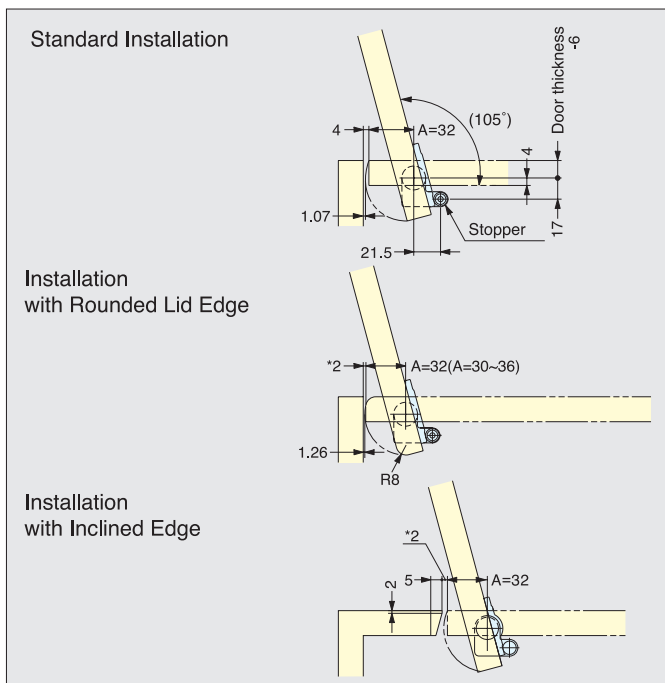


Black cover



White cover

SOFT-CLOSE HINGES



Item No.	Part Name	Color	Torque per pair (kgf·cm)	Weight (g)	Box	Carton
HG-JHM16-34	Body	Black	20~34 (17.4~29.5 lbs-in)	91/pair	10 pairs	120 pairs
HG-JHM16-50			34~50 (29.5~43.4 lbs-in)			
HG-JHM16-BL	Cover	Black	-	12/pair		
HG-JHM16-WT		White				

No.	Part Name	Material	Color
①	Mounting Plate	Aluminum	Black
②	Damper Bracket	Polyacetal	
③	Face Plate	ABS	White, Black
④	Damper	304 Stainless Steel	Plain

SOFT-CLOSE HINGE



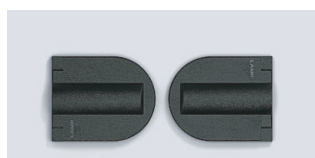
HG-JHM20

HINGES

SOFT-CLOSE HINGES



- Hinge with damper built-in to keep lid from slamming shut.
- Mortise mount type.
- Ideal for small size lid.
- Sold in pairs.
- Torque Calculation:
 $Torque = Door\ Height \times 1/2 \times Door\ Weight$
 * Please see diagram below for applicable torque moment.
 * Please specify face plate color when ordering.
 * Please install Left and Right Brackets on correct side.
- Smaller type HG-JHM16 available.
- Suitable for use in vanity cases, electronics panels in tables, computer terminals for reception desks, etc.



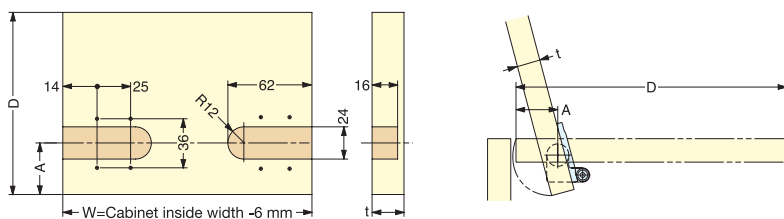
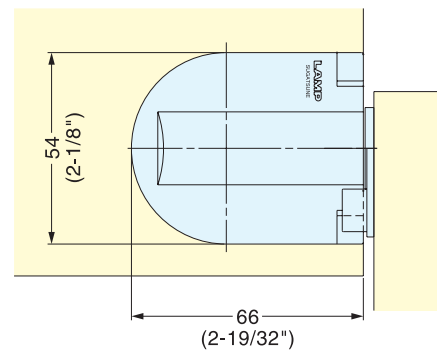
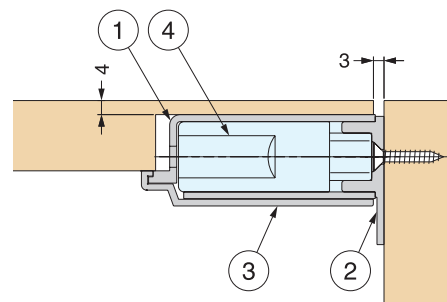
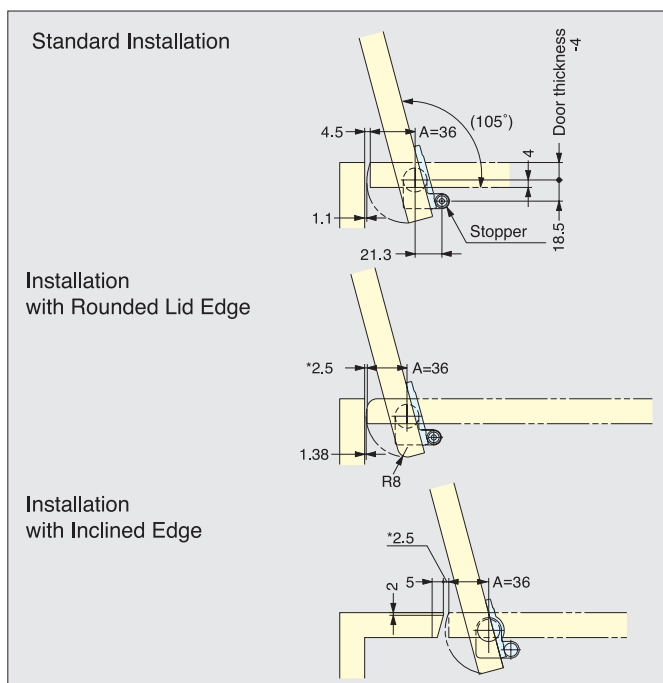
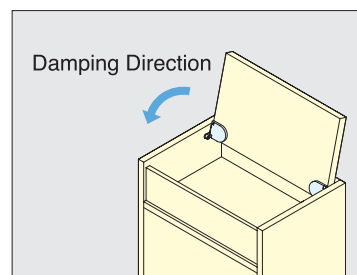
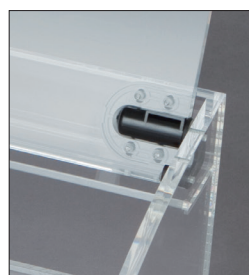
Black cover



White cover



Bracket/Mounting Plate



Item No.	Part Name	Color	Torque per pair (kgf-cm)	Box	Carton
HG-JHM20-80	Body	Black	61.2~81.6 (53~70.8 lbs-in)	10 pairs	90 pairs
HG-JHM20-BL	Cover	Black	-		120 pairs
HG-JHM20-WT		White	-		

No.	Part Name	Material	Finish/Color
①	Bracket	Polyacetal	Black
②	Mounting Plate	Aluminum	
③	Face Plate	ABS	Black/White
④	Damper	304 Stainless Steel	Plain



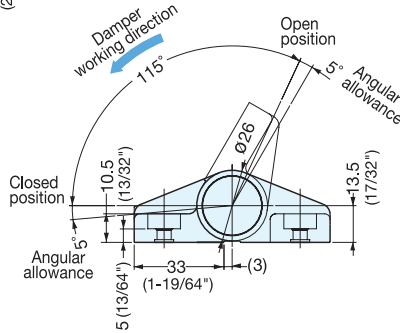
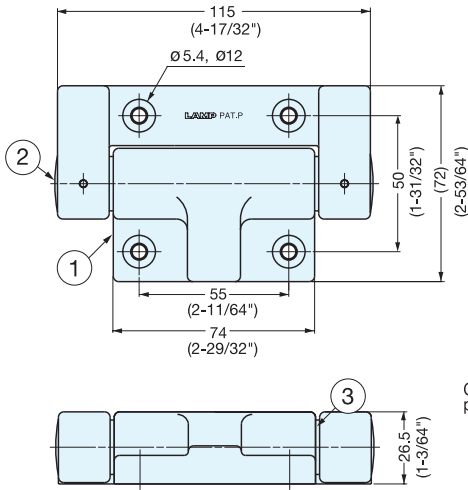
SOFT-CLOSE HINGE

HG-JHW / HG-JHWG

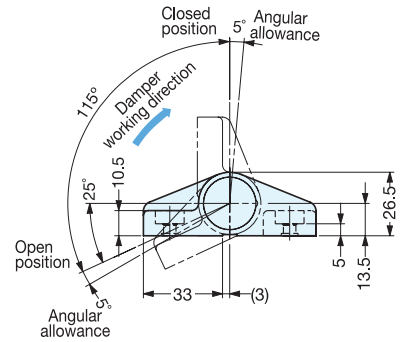
HINGES

SOFT-CLOSE HINGES

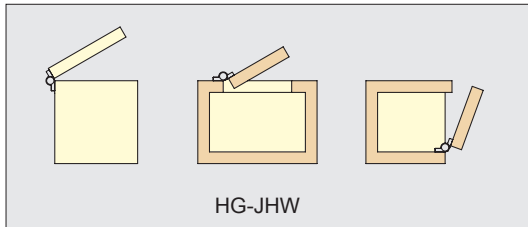
- Soft-Close damper keeps lid from slamming shut.
- Surface mount type.
- Two different damper direction available for various application.
- Operating temperature: 0~40°C (32~104°F)
- Operating angle: 115°/Dead angle 5°



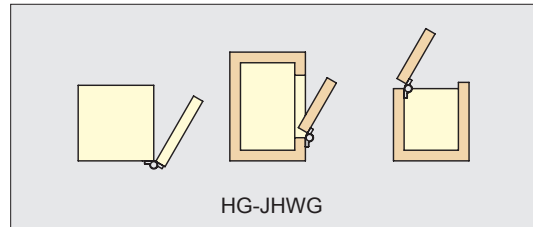
HG-JHW



HG-JHWG



HG-JHW



HG-JHWG

Installation

Item No.	Torque per pair (kgf·cm)	Weight (g)	Box (pcs)	Carton (pcs)
HG-JHW50	61~102 (53~88 lbs-in)	200	4	64
HG-JHW70	102~143 (88~124 lbs-in)			
HG-JHWG50	61~102 (53~88 lbs-in)			
HG-JHWG70	102~143 (88~124 lbs-in)			

No.	Part Name	Material	Color
①	Bracket	PBT Plastic/Zinc Alloy	Dark Grey
②	Cap	Polypropylene	
③	Damper	304 Stainless Steel	Plain

* Sold per piece.

LIFT ASSIST HINGE



HG-JH210

- Designed for industrial access panels.
- Built-in damper keeps lid from slamming shut.
- Passed private 30,000 open/close cycle tests.
- Maximum torque: 210 kgf-cm (182 lbs-in) per piece.



Moment Formula and Graph

Door Moment $M_t = W \times \frac{L}{2} \times \cos \theta$

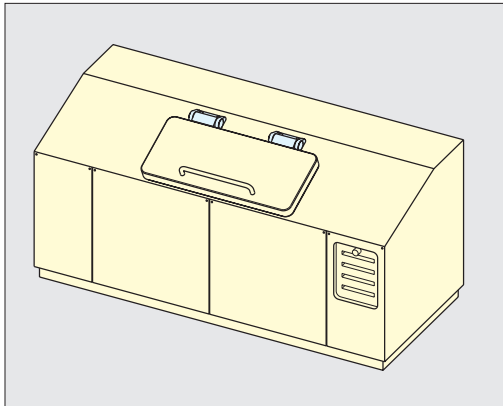
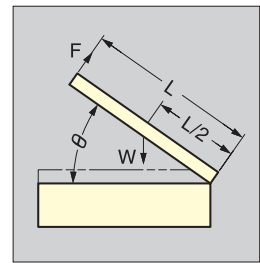
Hinge Moment $M_h = M_m \times (1 - \frac{\theta}{115})$

Torque to lift door $M_z = M_h - M_t$

Force to lift door $F = \frac{M_t - M_h}{L}$

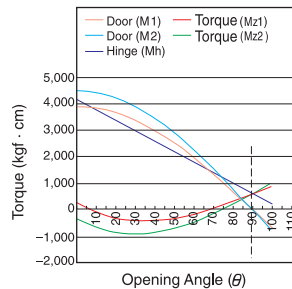
W : Door Weight θ : Opening Angle
 L : Door Length M_m : Torque of Assist Hinge

When M_z is:
 "-" shows closing force. "+" shows opening force.

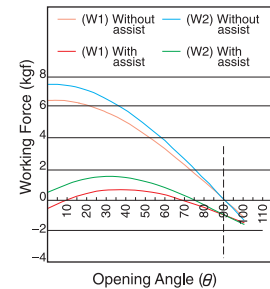


Installation

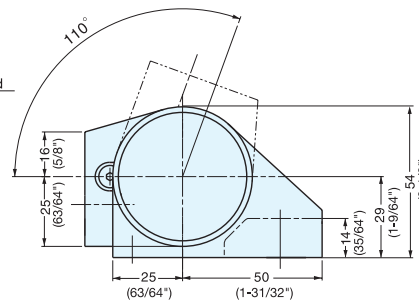
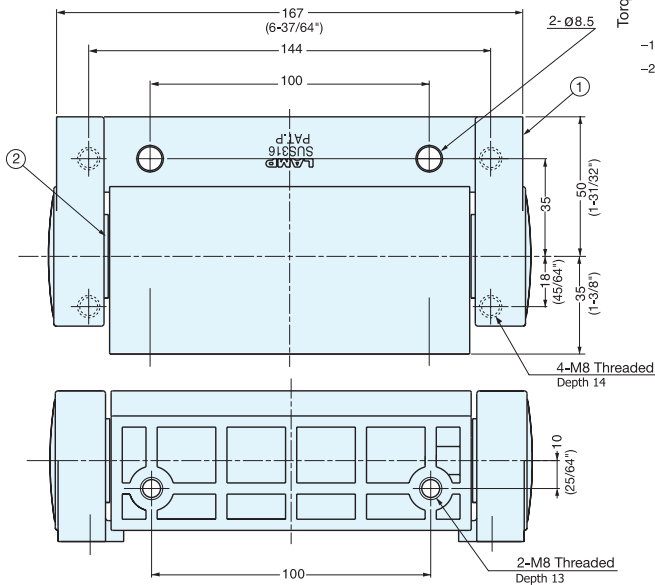
Assist Hinge Moment



Working Force at opening Angle (Compared with No Assist)



*When used as a pair. (L: 60 cm, W1: 13 kg, W2:15 kg)



Item No.	Torque per piece (kgf-cm)	Weight (kg)	Box (pcs)	Carton (pcs)
HG-JH210	210 (182 lbs-in)	2.4	1	10

No.	Part Name	Material	Finish
①	Body	316 Stainless Steel	Mirror
②	Built-In Damper	304 Stainless Steel + PBT Plastic	-

DAMPER HINGE

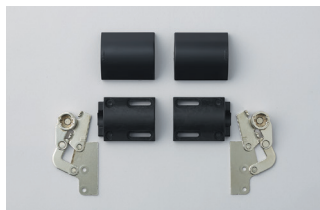


HG-JHM20T

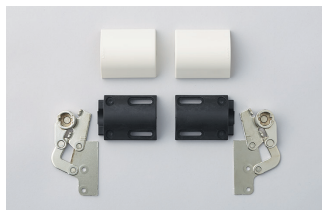


- Surface mount type: Easy to install without the need of recessing.
- Hinge with built-in UDH damper.
- Soft-close and smooth-open features.
- For Inset Lid.
- Cover hides mounting screws.
- Sold in pairs.
- Below torque range is the value when using a pair of hinges (left and right) per lid.
- When installing, ensure that both hinge shafts are levelled and aligned.
- Damper mechanism engages after being opened at 60° or more.

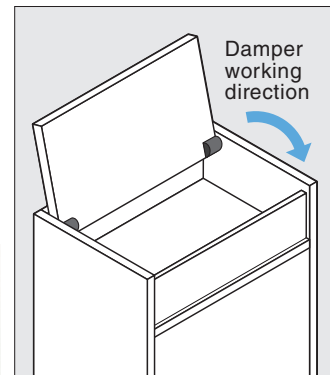
Sold in pairs.



W/ black cover



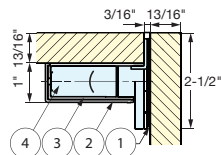
W/ white cover



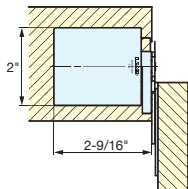
Chrome finished cover

Front View

Top-opening lid closed



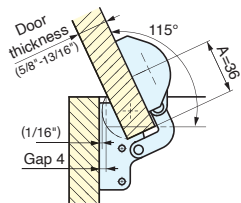
Top-opening lid opened by 90°



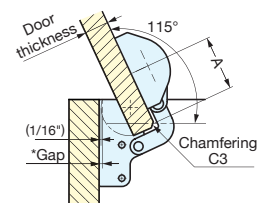
* Right-handed type shown. Left-handed type is symmetrical.

Installation

Standard

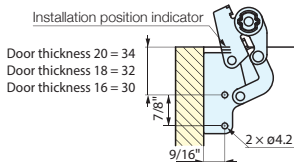


Chamfered lid edge

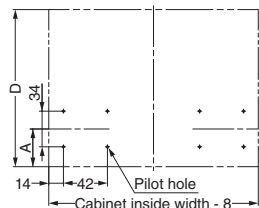


* Gap is decreased compared with standard when chamfered.

Hinge Plate Installation Position



Cut Out Dimensions

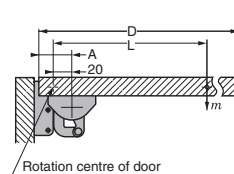


Door thickness	Standard		Chamfered Lid Edge	
	Size A	Gap	Size A	Gap
16	36	4	38	2
18			37	3
20			-	-

Door Weight Selection

Door Length (D)	Door Weight (m)
250	5.61 - 7.48 kg
300	4.57 - 6.09 kg
350	3.85 - 5.13 kg
400	3.33 - 4.43 kg
450	2.93 - 3.90 kg

Calculation of maximum door moment (for homogeneous material)



$$T = m \times 9.80665 \times L \times \frac{1}{1000}$$

T : Max. door torque (N·m)
m : Door weight (kg)

L : Distance from rotation centre to door centre of gravity (mm)

$$L = \frac{D}{2} - A + 20 *$$

D : Door length (mm)
A : Bracket installation dimension (mm)
(The range of A is about 36mm - 38mm)

* (Formula for assuming that the centre of gravity is in the centre of door)

* For heterogeneous door (e.g., attached with a mirror), please contact our technical support (support@sugatsune.com) for assistance.

Item No.	Color	Torque per piece (kgf·cm)
HG-JHM20T-80BL	Black	61.2~81.6 (53.1~70.8 lbs·in)
HG-JHM20T-80WT	White	
HG-JHM20T-80CR	Chrome	

No.	Part Name	Material	Finish
①	Hinge Plate	Sttel/Zinc Alloy	Nickel
②	Bracket	POM	Black
③	Cover	ABS	Black/White/Chrome
④	Damper	-	-

SOFT-CLOSE HINGE Horizontal Opening



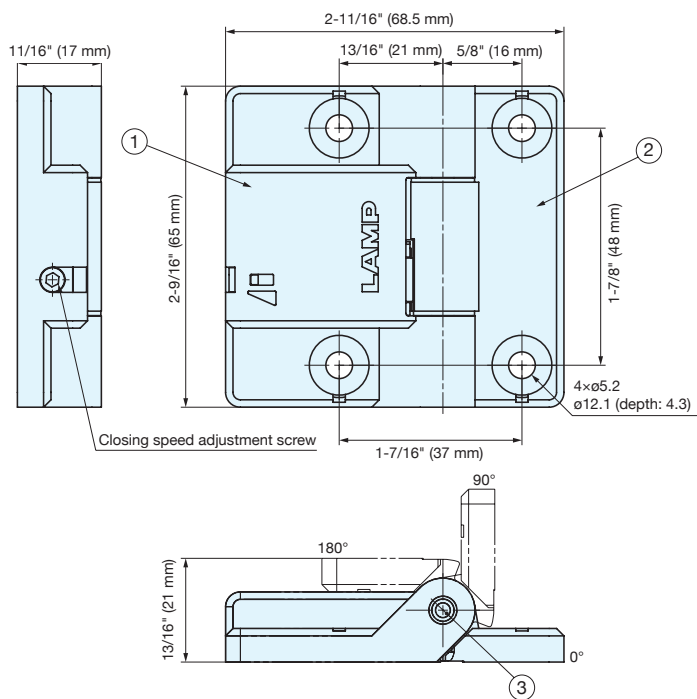
HG-JV65



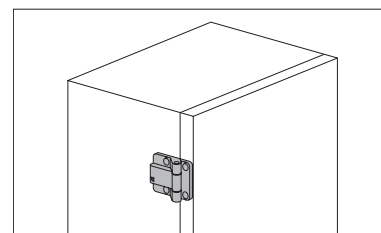
- Soft and self-closing hinge ensures quiet, safe door closure.
- Adjustable closing speed (with hex key). Allows precise, machine-friendly door movement.
- Features self-latching function to firmly hold doors closed and prevent gaps, so that machines continue to operate without interruption.
- Surface-mounted hinge saves internal machine space and helps maintain cleanliness (ideal for food equipment and medical industry).
- Can be installed on aluminum frames for machine equipment.
- Passed 50,000 cycle test (private).

Note:

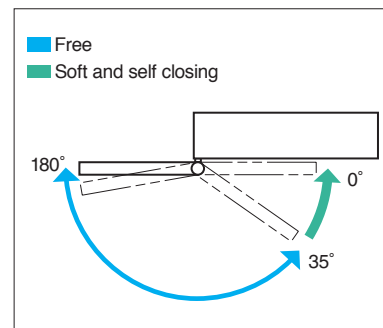
- Stoppers recommended to prevent door from over-extending past 180° opening.
- Not suitable for vibrational applications/ environments.
- Operating temperature: 32 - 104°F (0 - 40 °C).
- Do not lubricate.
- For indoor use only.



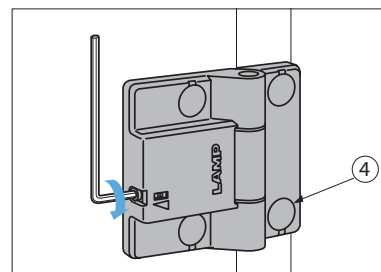
Installation



Operating Range



Closing Speed Adjustment



Closing speed of doors is adjustable with a hex key (size: 2.5).

No.	Part Name	Material	Finish
①	Body A	Polyamide (PA)	Black, Light Grey
②	Body B	Steel	
③	Shaft	Brass	Nickel
④	Screw Cover	Polycetal (POM)	Black, Light Grey

Item Number	Finish	Available Door Specs				Weight (g)	Box (pcs)	Carton (pcs)
		Width (mm)	Height (mm)	Weight /2pc (kg)	Weight /3pc (kg)			
HG-JV65-S-BL	Black	Max. 700 (27-9/16")	Max. 2400 (94-1/2")	1.0 - 7.0 (2.2~15.4 lb)	7.0 - 12.0 (15.4~26.4 lb)	85	10	60
HG-JV65-S-LGR	Light Grey							

GLASS SHOWCASE SERIES

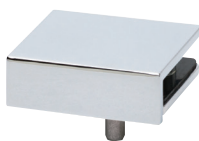
GS-G

HINGES

GLASS SHOWCASE HARDWARE



Glass Hinge (P.267)
GS-GH5

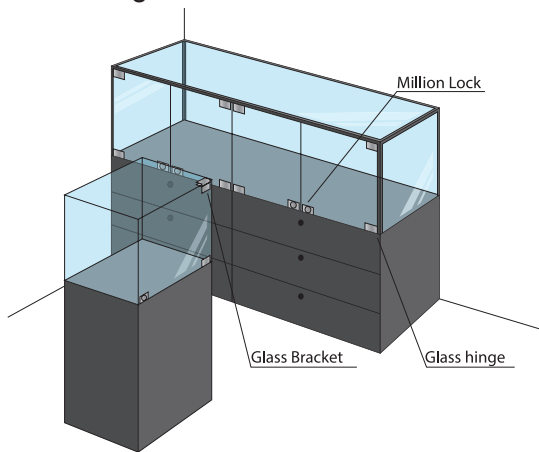


Glass Bracket (P.267)
GS-GB5

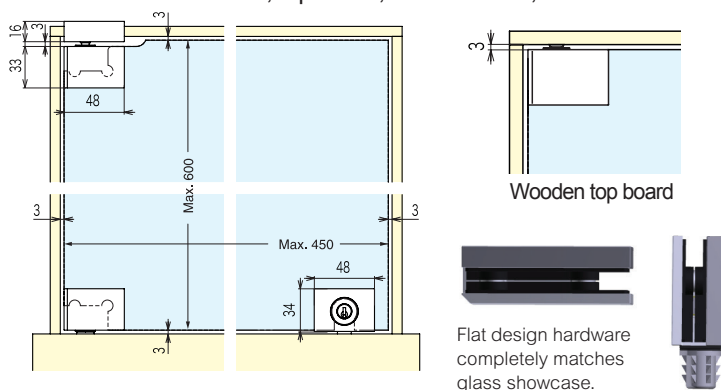


Glass Lock (P.268)
GS-GL5

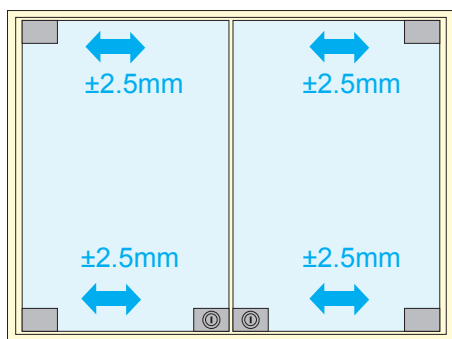
Total Design Coordination



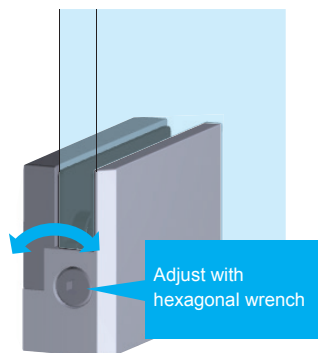
Clearance between door, top board, bottom board, and side board.



Easy adjustment after installation.

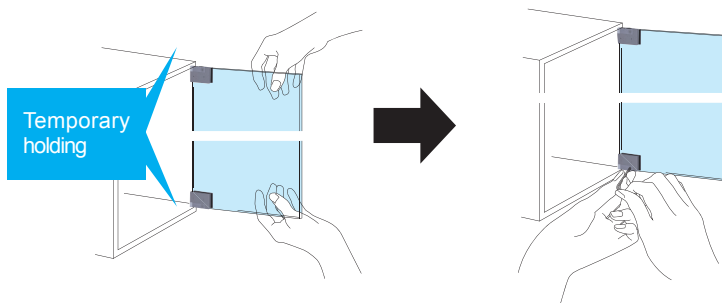


2.5mm adjustable by fixing adjustable screw on hinge side.



Temporary Hold for Easy Installation

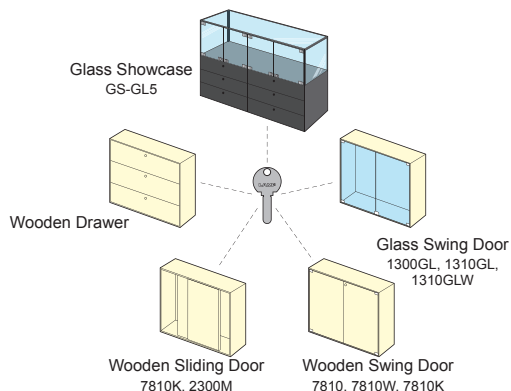
The door can be installed easily by clip-on and temporary holding features.



Lock drawers and doors with the same key.

Keys can be keyed to match other Million Lock Series products,

1 million key changes available (Million Lock Series).



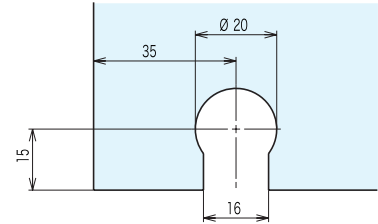
GLASS DOOR CAM LOCK (MILLION LOCK SERIES)

GS-GL5

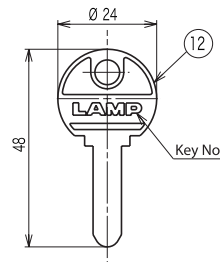
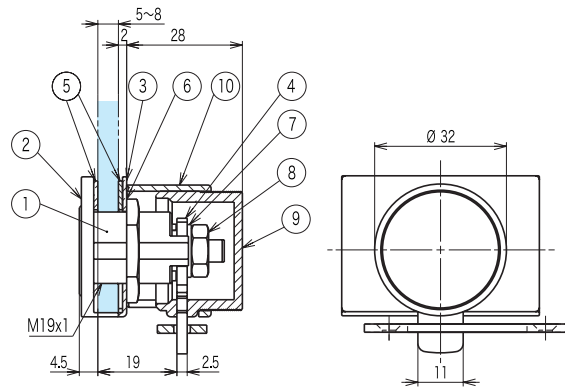
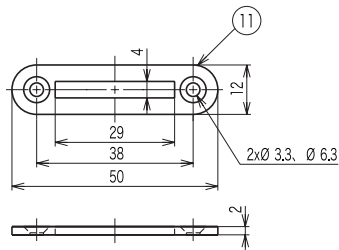
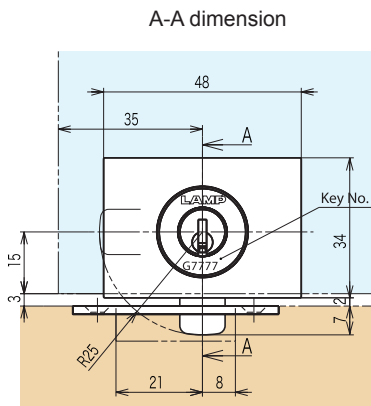
HINGES

GLASS SHOWCASE HARDWARE

- Cylinder lock for Glass swing door.
- Designed to match aesthetically with the GS-GH5 glass hinge and GS-GB5 bracket.
- Reversible key. Turn the key 90° to lock and unlock. Key can only be removed when locked.
- Dimple key with up to 1 Million key changes. Master key system available at surcharge (Max. 2,520 key changes/master key.).
- Keys can be shared with other Million Lock Series.



Cut Out Dimension



Item Name	Glass Thickness(mm)	Finish
GS-GL5-CR	3/16~5/16" (5~8)	Chrome
GS-GL5-GP		Gold Plated
GS-GL5-BL		Black

No.	Part Name	Material	Finish
①	Body	Brass	24K Gold Plated, Chrome,Black
②	Front Plate	Zinc Alloy	
③	Back Plate		
④	Lock Plate	304 Stainless Steel	Mirror
⑤	Rubber Washer	Chloroprene Rubber	Black
⑥	Hex Nut	Steel	Silver
⑦	Washer		
⑧	Hex Nut		
⑨	Cover Ring	Polypropylene	Black
⑩	Ring		
⑪	Strike	Steel	24K Gold Plated, Chrome,Black
⑫	Key	Brass	Nickel

GLASS HINGE (INSET)

GS-GH20

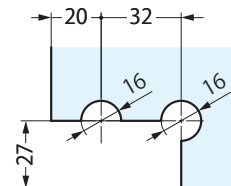


Chrome (CR)

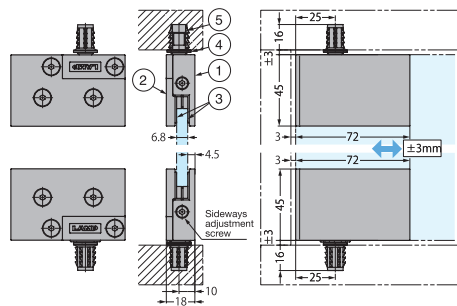
Gold Plated (GP)

Black (BL)

- Glass showcase hinge for inset door application.
- Can be used with the Million Lock Cylinder GS-GL20 to ensure unified design (lock, catch and hinge).
- Temporary hold function that enables a single person to install the door.
- Use provided gasket for 1/4" (6 mm) thick glass.
- Adjustments for up to ± 3mm by simply turning the adjustment screw.



Cut Out Dimension



No.	Part Name	Material	Finish
①	Body	Zinc Alloy	Chrome, 24K Gold Plated, Black
②	Back Plate		
③	Gasket	Chloroprene Rubber	Black
④	Axis	Stainless Steel	Stainless Steel
⑤	Insert	Zinc Alloy	-

Item Name	Door Width	Door Height	Door Weight	Glass Thickness	Finish
GS-GH20-CR	Max. 27-9/16" (700 mm)	Max. 63" (1600 mm)	44 lbs/2 pcs (20 kg/2 pcs)	1/4", 5/16" (6, 8 mm)	Chrome
GS-GH20-GP					Gold Plated
GS-GH20-BL					Black

GLASS BRACKET

GS-GB20

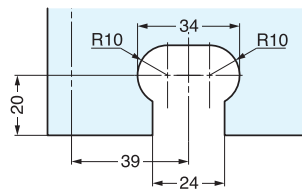
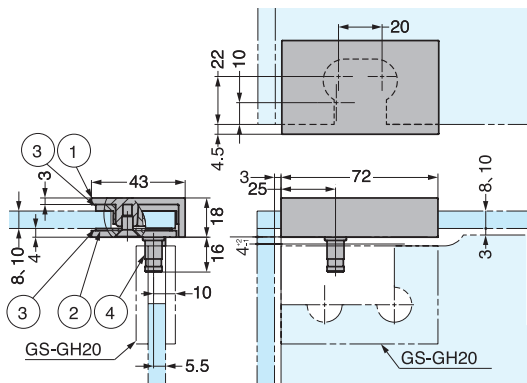


Chrome (CR)

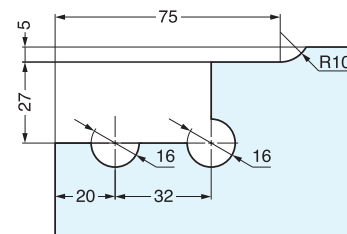
Gold Plated (GP)

Black (BL)

- Can be used together with glass hinge GS-GH20 (above) and lock GS-GL20.



Cut Out Dimension



Item Name	Type	Glass Thickness	Finish
GS-GB20-R-CR	Right	5/16~3/8" (8~10 mm)	Chrome Plated
GS-GB20-L-CR	Left		
GS-GB20-R-GP	Right		24K Gold Plated
GS-GB20-L-GP	Left		
GS-GB20-R-BL	Right		Black Painted
GS-GB20-L-BL	Left		

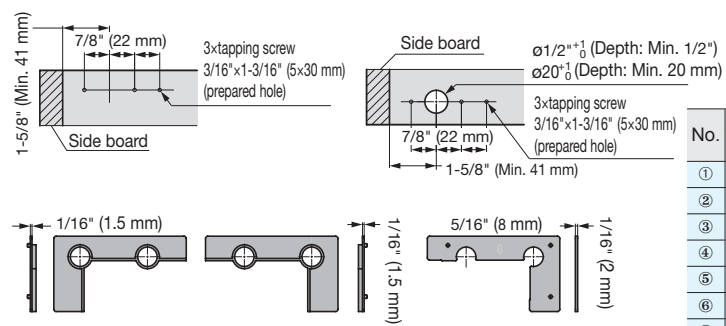
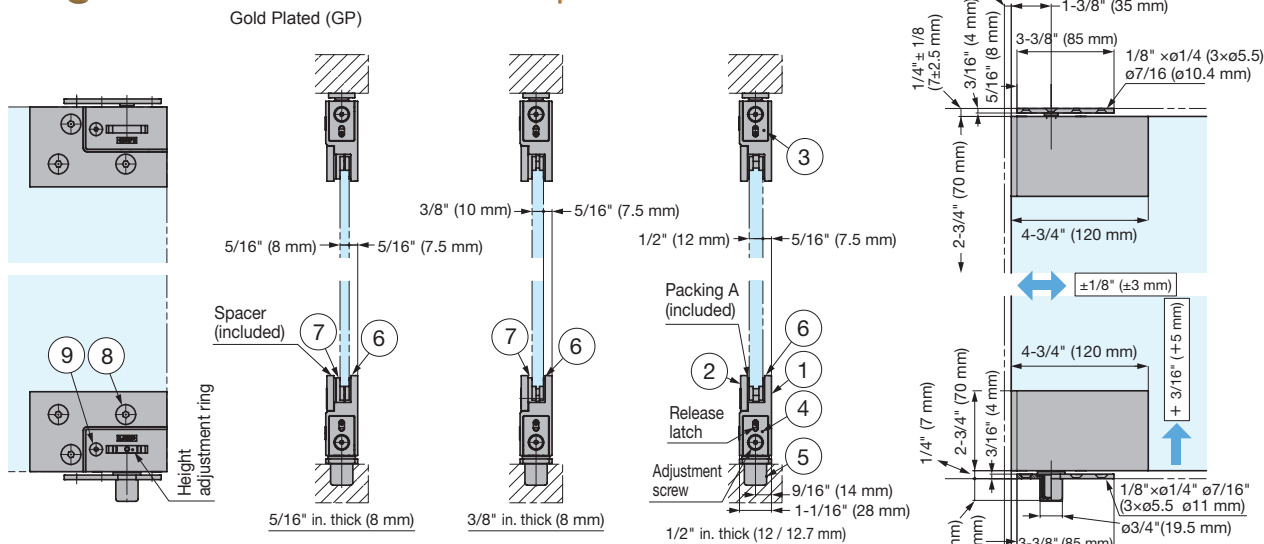
No.	Part Name	Material	Finish
①	Body	Zinc Alloy	Chrome, 24K Gold Plated, Black Painted
②	Back Plate	304 Stainless Steel	
③	Washer	Chloroprene Rubber	Black
④	Rotating Axis	Stainless Steel	Stainless Steel



GLASS HINGE

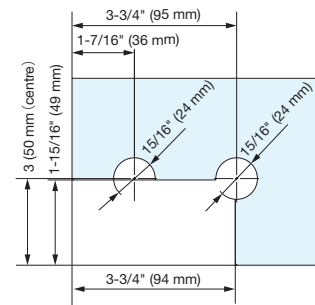
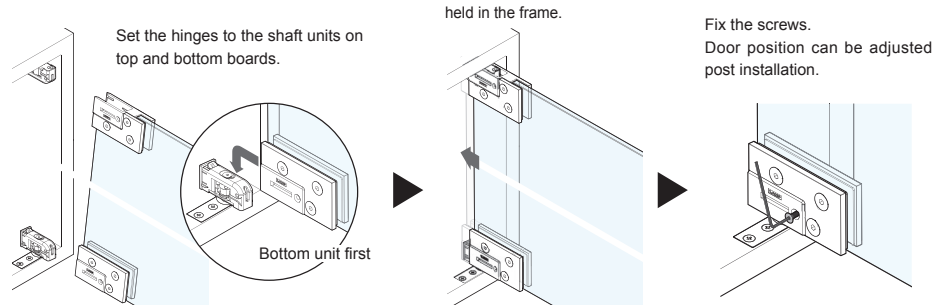


- Designed for large inset glass showcases, sold in sets of 2.
- Recommended for use with the GS-GL50 lock for design coordination.
- Doors can be temporary held in frames before fixing screws for easy installation.
- The door position can be adjusted by ± 3 mm right and left post installation. (Horizontal adjustment screw).
- The gap below the door can be adjusted from 7 up to 12 mm post installation. (Height adjustment ring)
- Prioritize the door weight when determining the glass size.
- Shatter proof films are recommended to be used on glass doors for safety.



No.	Part Name	Material	Finish		
			CR	GP	BL
①	Body (front)	Zinc Alloy	Chrome Plated	Gold Plated (24K)	Matte Black
②	Body (back)				
③	Upper Shaft				
④	Bottom Shaft Unit				
⑤	Bottom Mounting Plate				
⑥	Packing A (t: 1.5)	Chloroprene	Black		
⑦	Packing B (t: 3.5)	Rubber (CR)			
⑧	Hex socket bolt M8x16	Steel	Chrome	Gold Plated (24K)	Matte Black
⑨	Hex socket bolt M5x10				

Easy Installation



Item Name	Finish	Available Glass Size			Load Capacity	Finish
		Width	Width	Glass Thickness		
GS-GH50-CR	Chrome	35-7/16" (Max. 900 mm)	98-7/16" (Max. 2500 mm)	5/16", 3/8", 15/32", 1/2" (8, 10, 12, 12.7 mm)	110.23 lbs/2 pcs (50 kgf/2 pcs)	Chrome
GS-GH50-GP	Gold Plated (24K)					Gold Plated (24K)
GS-GH50-BL	Matte Black					Matte Black

GLASS DOOR CAM LOCK

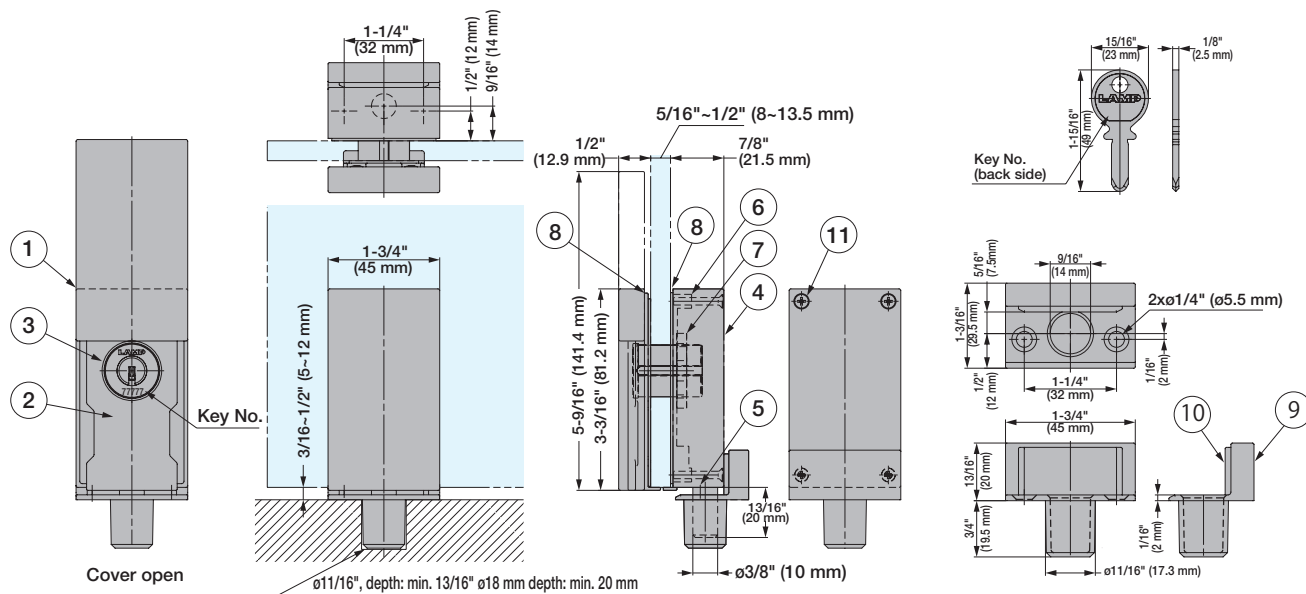
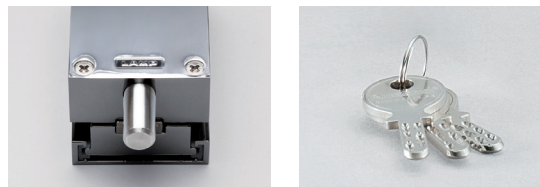
GS-GL50

HINGES

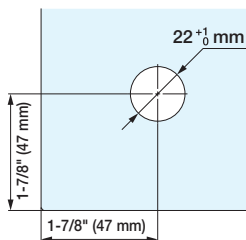
GLASS SHOWCASE HARDWARE



- A cylinder lock for high-end glass showcases.
- Designed for use with the GS-GH50 hinge, complements retail fixtures.
- Thick stainless steel deadbolt for added security.
- The keys are dimple type and reversible.
- Key number can be changed without replacing the cylinder (Easy key change).
- The key number can be changed up to 2 times. Previous keys cannot be used again after changing the key number.
- A cover hides the key hole.
- The face plate can be used as a handle to open the door.
- The only drilling required for the cabinet is a round hole. This makes the installation very quick.
- Special type which does not have the construction key system is also available (Key changes: 3,000 per master key).



Cut Out Dimensions



No.	Part Name	Material	Finish		
			CR	GP	BL
1	Slide Cover	Zinc Alloy (ZDC)	Chrome	Gold Plated (24K)	Enamel Black
2	Face Plate				
3	Cylinder				
4	Case Lock	Zinc Alloy (ZDC)			
5	Dead Bolt	Stainless Steel	Plain		
6	Back Plate	Zinc Alloy (ZDC)			
7	Nut	Brass	Nickel		
8	Packing	Chloroprene Rubber (CR)	Black		
9	Strike Plate	Zinc Alloy (ZDC)	Chrome	Gold Plated	Enamel Blk
10	Strike Plate Rubber	EPDM	Black		
11	Countersunk Screw M3 x 18	-	Chrome	Gold Plated	Enamel Blk

Item Name	Glass Thickness	Finish
GS-GL50-CR	1/4~3/8" (6~10 mm)	Chrome
GS-GL50-GP		Gold Plated
GS-GL50-BL		Black

GLASS DOOR CAM LOCK (Million Lock Series)



GS-GL20

HINGES

GLASS SHOWCASE HARDWARE



Chrome (CR)

Gold Plated (GP)

Black (BL)

- Cylinder lock designed for glass showcases.
- Designed for use with the GS-GH20 and GS-GB20.
- The keys are dimple type and reversible.
- The strike plate also works as a door stopper, providing stable locking operation.
- The only drilling required for the cabinet is a round hole.
- Specify keyed alike or different when ordering.

[Round Dead Bolt]

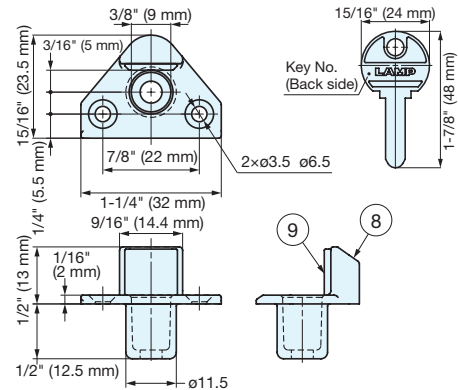
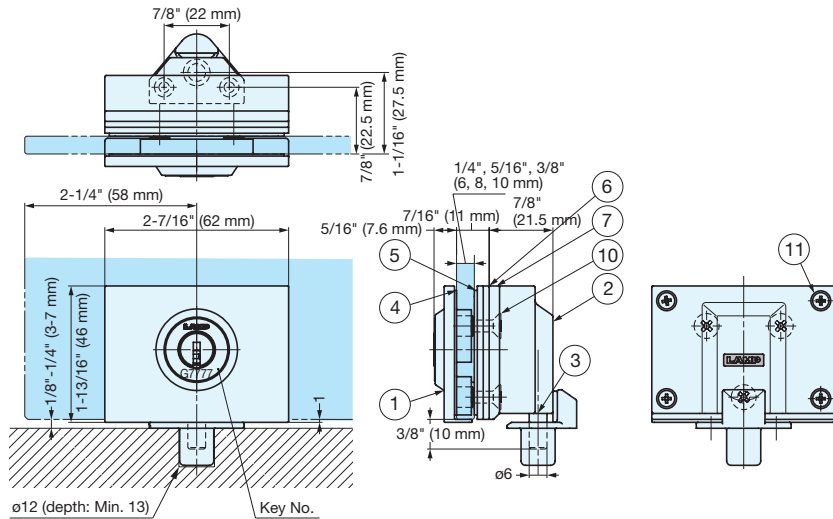
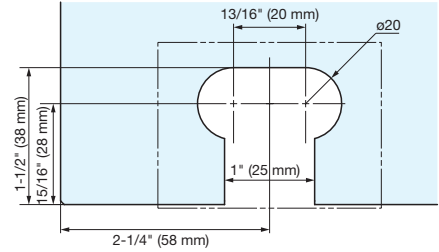


[Required Number of Spacers]

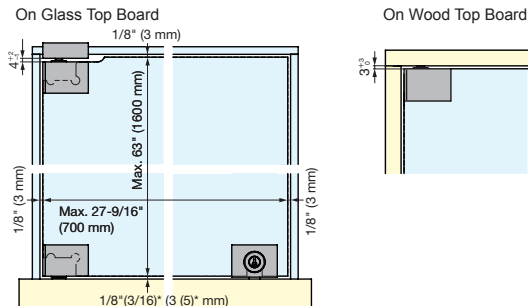
Glass Thickness	Spacer
1/4" (6 mm)	2 pcs
5/16" (8 mm)	1 pc
3/8" (10 mm)	-

Only processing required for boards is a $\phi 12$ mm drilling.

[Cut Out Dimensions]



[Installation Example] Using with GS-GH20 and GS-GB20



* The () indicates the dimensions when the washer of GS-GH20 is attached.

No.	Part Name	Material	Finish		
			CR	GP	BL
①	Face Plate	Zinc Alloy	Chrome	24K Gold Plated	Black
②	Case Lock				
③	Dead Bolt	Brass	Chrome		
④	Holding Packing	Polypropylene	Black		
⑤	Packing	Chloroprene Rubber			
⑥	Spacer	ABS	Black		
⑦	Back Plate	Zinc Alloy			
⑧	Strike Plate				
⑨	Strike Plate Rubber	EPDM	Black		
⑩	Screws	Stainless Steel	-		

Item Name	Finish	Glass Thickness	Key Removal	Key Rotation Angle
GS-GL20-CR	Chrome	1/4", 5/16", 3/8" (6, 8, 10 mm)	Two Areas	360°
GS-GL20-GP	Gold Plated			
GS-GL20-BL	Black			

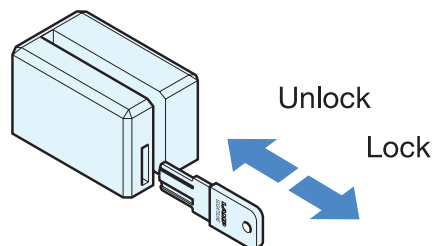
GLASS SHOWCASE HARDWARE

XL-GC SERIES



- Hinges, Locks and Sliding Door hardware with same design concept.
- Swing and Sliding Doors can be operated with a single key.
- Key hole is located on the side for clean appearance.

Unique locking system



- Insert key to unlock, remove to lock.
- High security dimple key.



Locks

Item No.	
XL-GC01	
P.614	Swinging Double Door Lock
XL-GC02	
P.614	Swinging Door Lock
XL-GC03	
P.605, 606	Sliding Door Lock

Hinges and Accessories

Item No.	
XL-GC04	
P.272	Inset Pivot Hinges
XL-GC05	
P.272	Bracket for XL-GC04
XL-GC07	
P.272	Overlay Hinges
XL-GC09CR	
P.111	Magnetic Catch

Sliding Door Hardware

Item No.	
XL-GC06	
P.607	Upper Bracket
XL-GC08	
P.607	Lower Bracket

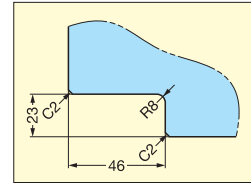
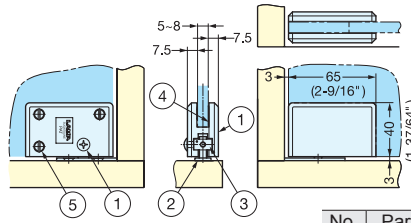
- Use with accessories. P.606

GLASS PIVOT HINGE (INSET)

XL-GC04



- Inset-type hinge for glass cabinet.
- Sold as a pair (top/bottom).
- Compatible with glass door lock XL-GC02 and bracket XL-GC05 (both sold separately).
- Door Size: Max. W500 × H1200 × t8 mm (W19-11/16" × H47-1/4" × t5/16")



Cut Out Dimension

No.	Part Name	Material	Finish/Color
①	Body	Zinc Alloy	Chrome
②	Bottom Plate	Steel	Chrome
③	Plate	304 Stainless Steel	Plain
④	Spacer	PVC	Black
⑤	Screws	304 Stainless Steel	Plain

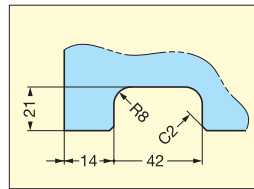
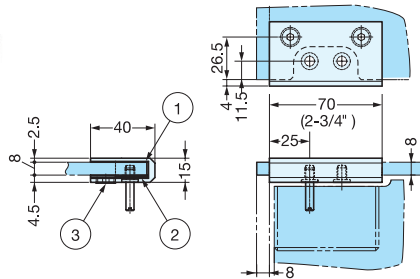
Item No.	Glass Thickness (mm)	Load Capacity (kg)	Weight (g)	Box (pairs)	Carton (pairs)
XL-GC04-C	5~8	12 (26.5 lbs)/Door	560	1	24

GLASS BRACKET

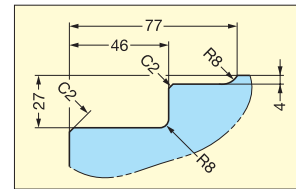
XL-GC05



- Bracket for hinge XL-GC04 (sold separately).
- For use when top panel is glass.



Cut Out Dimension (Top Panel)



Cut Out Dimension (Glass Door)

No.	Part Name	Material	Finish/Color
①	Bracket	Zinc Alloy	Chrome
②	Spacer	Synthetic Rubber	Clear
③	Screws	304 Stainless Steel	Plain

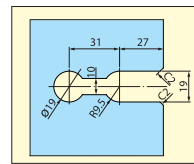
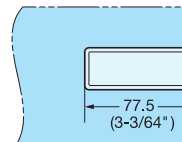
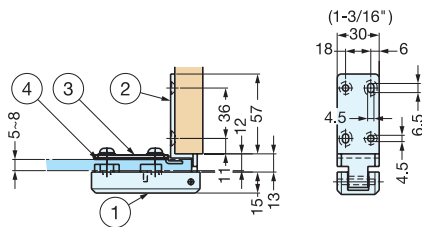
Item No.	Type	Glass Thickness (mm)	Weight (g)	Box (pcs)	Carton (pcs)
XL-GC05-R-C	Right	8	174	1	24
XL-GC05-L-C	Left				

GLASS HINGE (OVERLAY, W/CATCH)

XL-GC07



- 10 mm (3/8") Overlay hinge with catch for glass cabinetry.
- Door Size: Max. W500 × H1200 × t8 mm (W19-11/16" × H47-1/4" × t5/16")
- Not for use with lock XL-GC02.



Cut Out Dimension

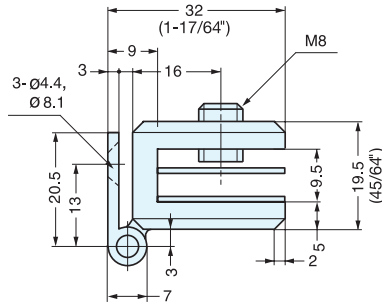
No.	Part Name	Material	Finish/Color
①	Body	Zinc Alloy	Chrome
②	Hinge Plate		
③	Backplate	Steel	Chrome
④	Spacer	Synthetic Rubber	Black

Item No.	Glass Thickness (mm)	Load Capacity (kg)	Weight (g)	Box (pcs)	Carton (pcs)
XL-GC07-C	5~8	12 (26.5 lbs)/Door	301	1	24

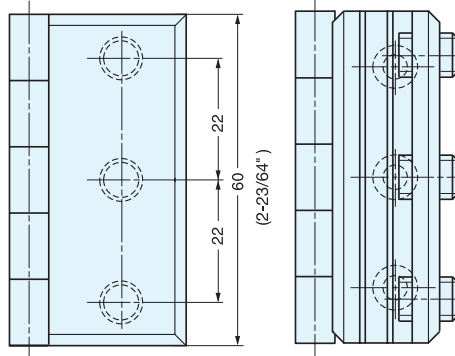
INSET GLASS DOOR HINGE (PRESSURE FIT)



XL-GH01-600



- Pre-drilling on glass/acrylic not required.
- Door thickness: 4~6 mm
- Door size: Max. W450 × H1300 mm (W17-3/4" × H51-3/16")
- Door Weight: Max. 11 kg/pair (22 lbs/pair)
- Please use 2 spacers for 4 mm door thickness.

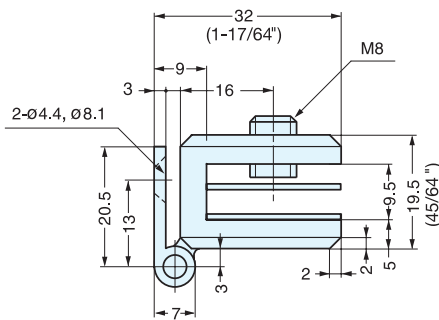


Item No.	Weight (g)	Box (pcs)	Carton (pcs)	Material	Finish
XL-GH01-600	180	10	50	304 Stainless Steel	Polished

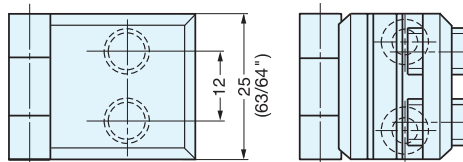
INSET GLASS DOOR HINGE (PRESSURE FIT)



XL-GH01-250



- Pre-drilling on glass/acrylic not required.
- Door thickness: 4~6 mm
- Door size: Max. W400 × H600 mm (W15-3/4" × H23-5/8")
- Door Weight: Max. 4.8 kg/pair (10.5 lbs/pair)
- Please use 2 spacers for 4 mm door thickness.



Item No.	Weight (g)	Box (pcs)	Carton (pcs)	Material	Finish
XL-GH01-250	76	10	100	304 Stainless Steel	Polished

INSET GLASS DOOR HINGE (W/CATCH)



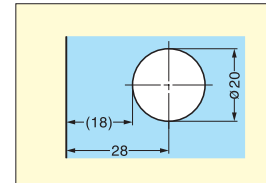
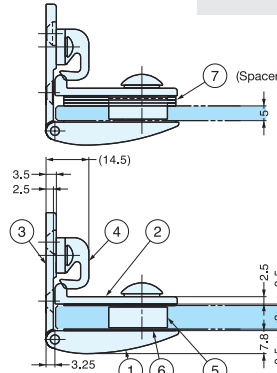
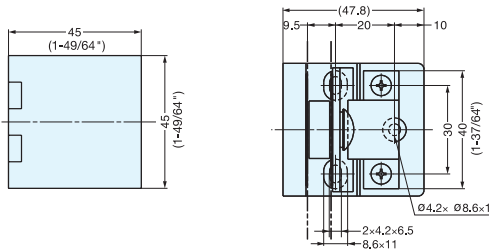
GH-450



SN

CR

GA



Cut Out Dimensions

- Glass hinge with catch.
- For Inset use
- Suitable for showcases
- Mounting position adjustable: Vertically ± 1 mm
Horizontally ± 1.2 mm
- Spacer included to accommodate different glass thickness.

Item No.	Applicable Door Thickness	Applicable Glass Door Size /Pair
GH-450/SN	5-8 mm	W:600 mm (23-5/8")
GH-450/CR	5 mm : Use with 3 spacers	H:1200 mm (47")
GH-450/GA	6 mm : Use with 2 spacers	Maximum 15 kg (33 lbs)
	8 mm : Spacer not required	

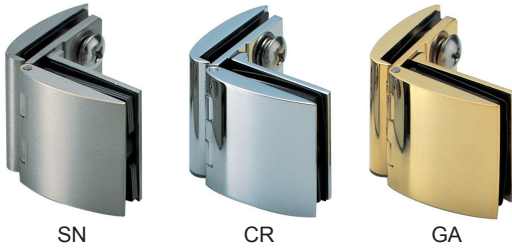
Item No.	Weight (g)	Box (pcs)	Carton (pcs)
GH-450/SN	212	10	40
GH-450/CR			
GH-450/GA			

No.	Part Name	Material	Finish		
			SN	CR	GA
①	Face Plate	Brass	Satin Nickel	Chrome	Gold
②	Fixing Plate				
③	Mounting Plate				
④	Catch	Polyamide	Black		
⑤	Glass Adjustment Block				
⑥	Pad	Rubber			
⑦	Spacer	Polypropylene			

GLASS DOOR HINGE (GLASS FRAME TYPE, W/O CATCH)



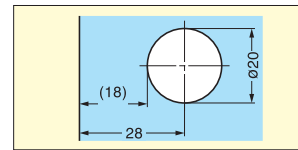
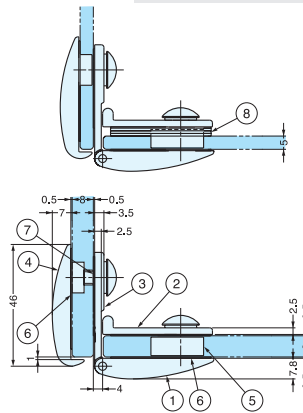
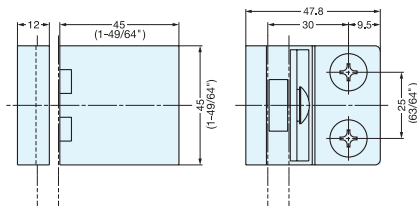
GH-450G



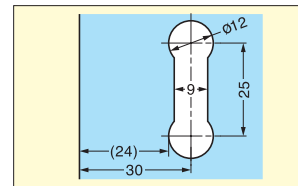
SN

CR

GA



Cut Out Dimensions



Cut Out Dimension for Side Panel

- For glass frame use.
- Suitable for showcases.
- Mounting position adjustable: Horizontally ± 1.2 mm
- Spacers included to accommodate different glass thickness.

Item No.	Applicable Door Thickness	Applicable Glass Door Size /Pair
GH-450G/SN	5-8 mm	W:600 mm (23-5/8")
GH-450G/CR	5 mm : Use with 3 spacers	H:1200 mm (47")
GH-450G/GA	6 mm : Use with 2 spacers	Maximum 15 kg (33 lbs)
	8 mm : Spacer not required	

Item No.	Weight (g)	Box (pcs)	Carton (pcs)
GH-450G/SN	320	10	40
GH-450G/CR			
GH-450G/GA			

No.	Part Name	Material	Finish		
			SN	CR	GA
①	Face Plate	Brass	Satin Nickel	Chrome	Gold
②	Fixing Plate				
③	Mounting Plate				
④	Side Plate	Polyamide	Black		
⑤	Glass Adjustment Block				
⑥	Pad A	Rubber			
⑦	Pad B				
⑧	Spacer	Polypropylene			

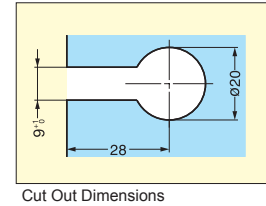
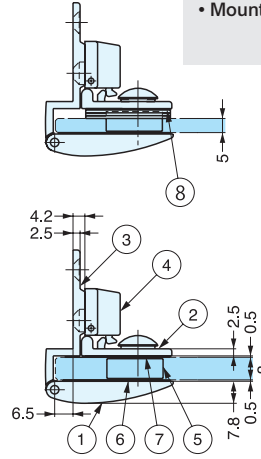
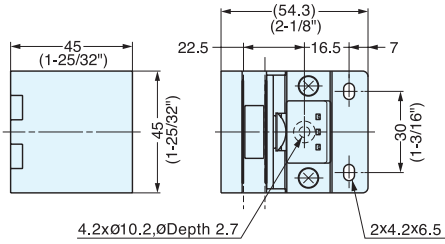
OVERLAY GLASS DOOR HINGE (W/ CATCH)



GH-456C



- Glass hinge with catch.
- For overlay use.
- Suitable for showcases
- Mounting position adjustable: Vertically±1 mm
Horizontally±1.2 mm



Item No.	Applicable Door Thickness	Applicable Glass Door Size /Pair	
GH-456C/SN	5-8 mm	W:600 mm (23-5/8") H:1200 mm (47") Maximum 15 kg (33 lbs)	
GH-456C/CR	5 mm : Use with 3 spacers 6 mm : Use with 2 spacers		
GH-456C/GA	8 mm : Spacer not required		
Item No.	Weight (g)	Box (pcs)	Carton (pcs)
GH-456C/SN	216	10	40
GH-456C/CR			
GH-456C/GA			

No.	Part Name	Material	Finish		
			SN	CR	GA
①	Face Plate	Brass	Satin Nickel	Chrome	Gold
②	Fixing Plate				
③	Mounting Plate				
④	Catch	PBT, POM	Black		
⑤	Glass Adjustment Block	Polyamide			
⑥	Pad A	PVC			
⑦	Pad B				
⑧	Spacer	Polypropylene			

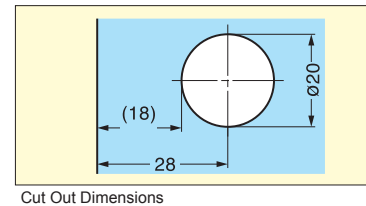
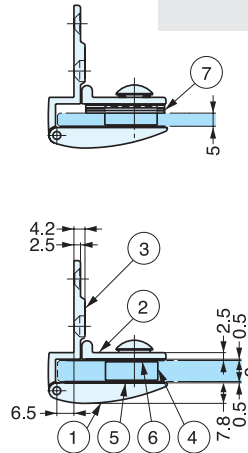
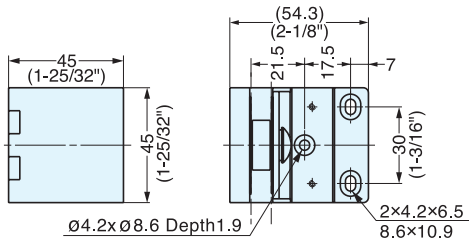
OVERLAY GLASS DOOR HINGE (W/O CATCH)



GH-456N



- For overlay use.
- Suitable for showcases
- Mounting position adjustable: Vertically±1 mm
Horizontally±1.2 mm



Item No.	Applicable Door Thickness	Applicable Glass Door Size /Pair	
GH-456N/SN	5-8 mm	W:600 mm (23-5/8") H:1200 mm (47") Maximum 15 kg (33 lbs)	
GH-456N/CR	5 mm : Use with 3 spacers 6 mm : Use with 2 spacers		
GH-456N/GA	8 mm : Spacer not required		
Item No.	Weight (g)	Box (pcs)	Carton (pcs)
GH-456N/SN	210	10	40
GH-456N/CR			
GH-456N/GA			

No.	Part Name	Material	Finish		
			SN	CR	GA
①	Face Plate	Brass	Satin Nickel	Chrome	Gold
②	Fixing Plate				
③	Mounting Plate				
④	Glass Adjustment Block	Polyamide	Black		
⑤	Pad	Rubber			
⑥	Spacer	Polypropylene			

INSET GLASS DOOR HINGE



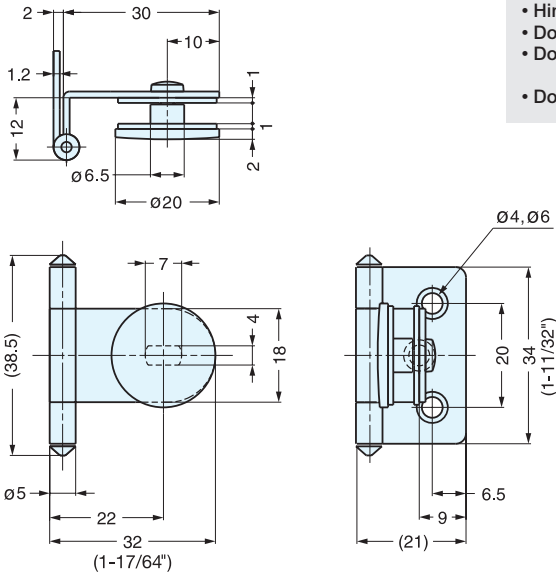
GH-34/0



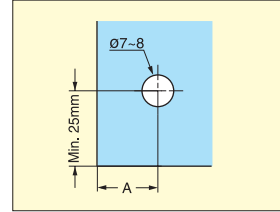
GH-34/0/CR



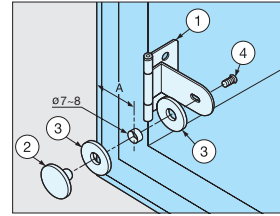
GH-34/0/BL



- Hinge for glass/acrylic doors.
- Door thickness: 4~6 mm
- Door size: Max. W450 × H700 (W17-3/4" × H27-9/16")
- Door weight: Max. 4 kg/pair (8.8 lbs/pair)



Cut Out Dimension



Installation

Glass Thickness (mm)	A (mm)
4	19
5	18
6	17

No.	Part Name	Material	Finish
①	Body	Steel	Chrome/Black
②	Plate	Zinc Alloy	Chrome/Black
③	Washer	PVC	Clear
④	Screw	Steel	Nickel/Black

Item No.	Weight (g)	Box (pcs)	Carton (pcs)
GH-34/0/CR-P	23.5	100	600
GH-34/0/BL-P		150	900

HALF OVERLAY GLASS DOOR HINGE



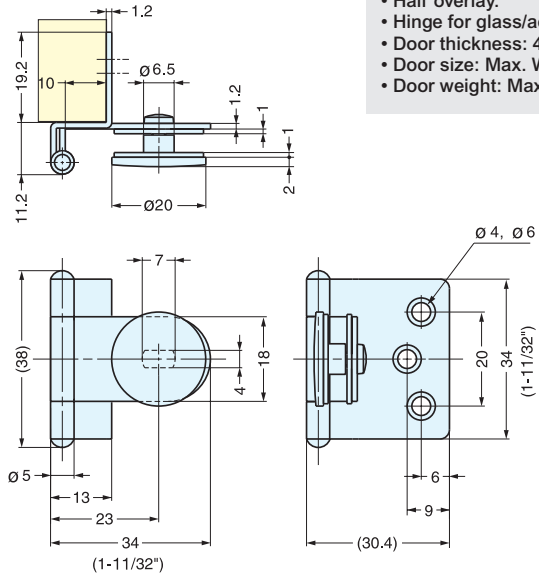
GH-34/8



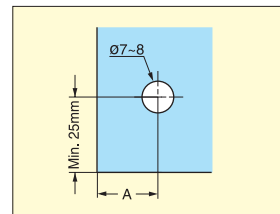
GH-34/8/CR



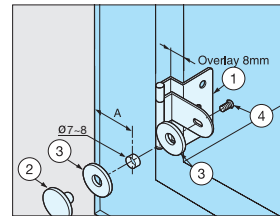
GH-34/8/BL



- Half overlay.
- Hinge for glass/acrylic doors.
- Door thickness: 4~6 mm
- Door size: Max. W450 × H700 (W17-3/4" × H27-9/16")
- Door weight: Max. 4 kg/pair (8.8 lbs/pair)



Cut Out Dimension



Installation

Glass Thickness (mm)	A (mm)	Overlay (mm)
4	19	8
5	18	7
6	17	6

No.	Part Name	Material	Finish
①	Body	Steel	Chrome/Black
②	Plate	Zinc Alloy	Chrome/Black
③	Washer	PVC	Clear
④	Screw	Steel	Nickel/Black

Item No.	Weight (g)	Box (pcs)	Carton (pcs)
GH-34/8/CR	25	50	500
GH-34/8/BL			

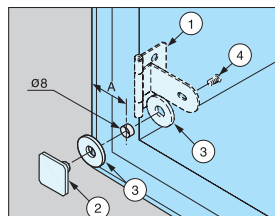
INSET GLASS DOOR HINGE



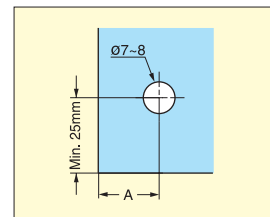
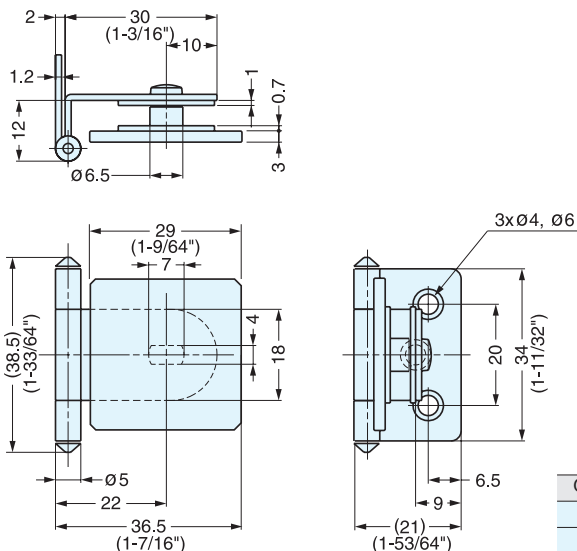
GH-34-0CR-K



- Hinge for glass/acrylic doors.
- Door thickness: 4~6 mm.
- Door size: Max. W450 × H700 (W17-3/4" × H27-9/16")
- Door weight: Max. 4 kg/pair (8.8 lbs/pair)
- Rounded plate GH-34/0/CR is available.



Installation



Cut Out Dimension

Glass Thickness (mm)	A (mm)
4	19
5	18
6	17

No.	Part Name	Material	Finish/Color
①	Body	Steel	Chrome
②	Plate	Zinc Alloy	
③	Washer	PVC	Clear
④	Screw	Steel	Nickel

Item No.	Weight (g)	Box (pcs)	Carton (pcs)
GH-34-0CR-K	34	150	900

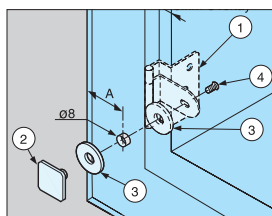
HALF OVERLAY GLASS DOOR HINGE



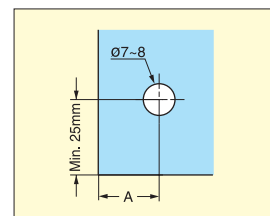
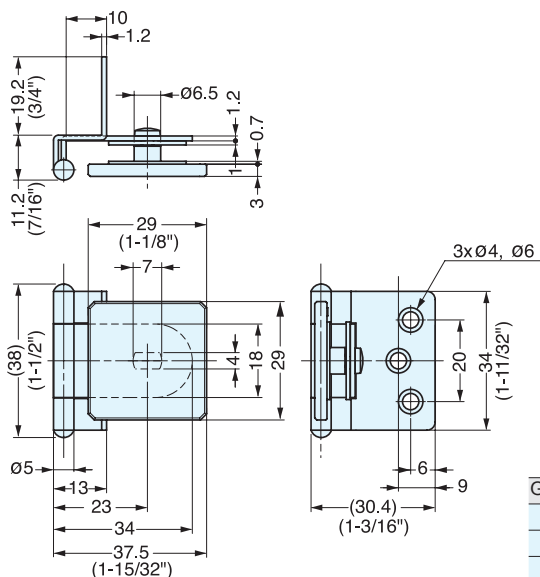
GH-34-8CR-K



- Half overlay.
- Hinge for glass/acrylic doors.
- Door thickness: 4~6 mm.
- Door size: Max. W450 × H700 (W17-3/4" × H27-9/16")
- Door weight: Max. 4 kg/pair (8.8 lbs/pair)
- Rounded plate GH-34/8/CR is available.



Installation



Cut Out Dimension

Glass Thickness (mm)	A (mm)	Overlay (mm)
4	19	8
5	18	7
6	17	6

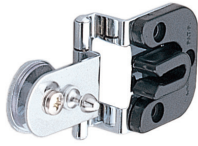
No.	Part Name	Material	Finish/Color
①	Body	Steel	Chrome
②	Plate	Zinc Alloy	
③	Washer	PVC	Clear
④	Screw	Steel	Nickel

Item No.	Weight (g)	Box (pcs)	Carton (pcs)
GH-34-8CR-K	37	50	500

HALF OVERLAY GLASS DOOR HINGE (W/CATCH)



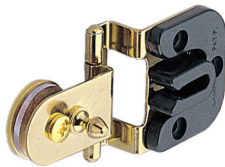
GHC-34/8



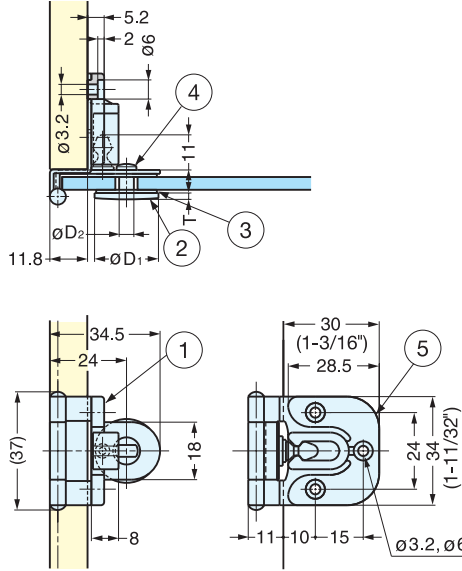
GHC-34/8/CR



GHC-34/8/BLK



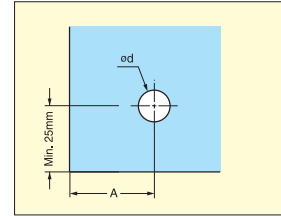
GHC-34/8/PB



Glass Thickness (mm)	A (mm)	Overlay (mm)
4	19	7
5	18	6
6	17	5

Item No.	D ₁	D ₂	d	T	Weight (g)	Box (pcs)	Carton (pcs)
GHC-34/8/CR	20	6.5	8	2	36	40	600
GHC-34/8/PB	20	6.5	8	2	36		
GHC-34/8/BLK	21	8.0	10	3	32		

- Half overlay.
- Hinge will hold door in closed position without secondary support.
- Door thickness: 4-6 mm
- Door size: Max. W450 × H700 (W17-3/4" × H27-9/16")
- Door weight: Max. 4 kg/pair (8.8 lbs/pair)



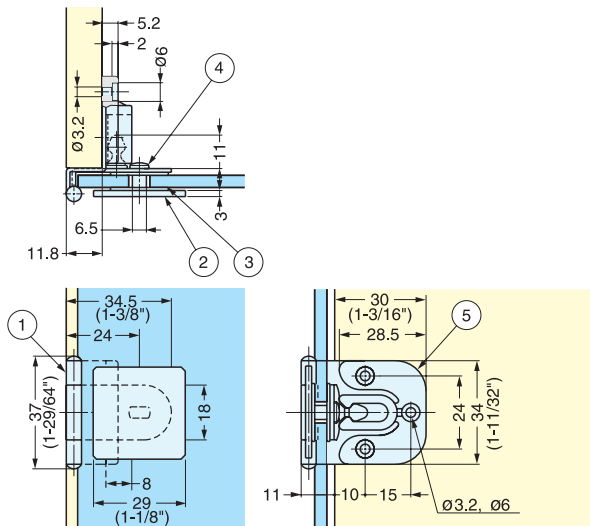
Cut Out Dimension

No.	Part Name	Material	Finish
①	Body	GHC-34/8/BLK	304 Stainless Steel
		GHC-34/8/CR	Steel
		GHC-34/8/PB	Aluminum
②	Plate	GHC-34/8/BLK	Black
		GHC-34/8/CR	Chrome
③	Washer	PVC	Clear
④	Screw	Steel	Nickel
⑤	Catch	Polyacetal	Black

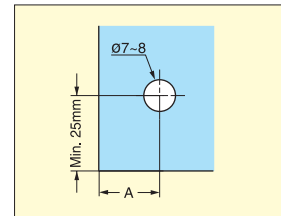
HALF OVERLAY GLASS DOOR HINGE (W/CATCH)



GHC-34-8CR-K



- Half overlay.
- Hinge for glass/acrylic doors.
- Door thickness: 4-6 mm.
- Door size: Max. W450 × H700 (W17-3/4" × H27-9/16")
- Door weight: Max. 4 kg/pair (8.8 lbs/pain)
- Rounded plate GHC-34/8/CR is available.



Cut Out Dimension

Glass Thickness (mm)	A (mm)	Overlay (mm)
4	19	7
5	18	6
6	17	5

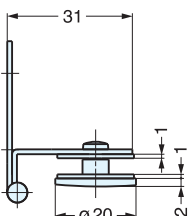
Item No.	Weight (g)	Box (pcs)	Carton (pcs)
GHC-34-8CR-K	43	40	600

No.	Part Name	Material	Finish/Color
①	Body	Steel	Chrome
②	Plate	Zinc Alloy	Chrome
③	Washer	PVC	Clear
④	Screw	Steel	Nickel
⑤	Stopper	Polyacetal (POM)	Black

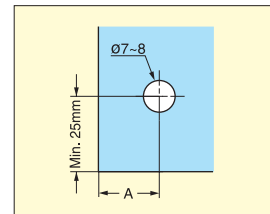
INSET GLASS DOOR LIFT-OFF HINGE



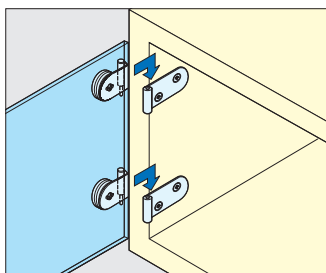
GH-36/NCR



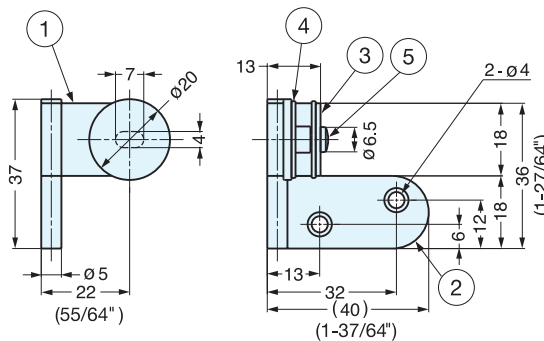
- Lift-off Hinge for glass/acrylic doors.
- Door thickness: 4-6 mm
- Door size: Max. W450 × H700 (W17-3/4" × H27-9/16")
- Door weight: Max. 4 kg/pair (8.8 lbs/pair)



Cut Out Dimension



Installation



Glass Thickness (mm)	A (mm)
4	19
5	18
6	17

No.	Part Name	Material	Finish
①	Body	Steel	Chrome
②			
③	Plate	Brass	
④	Washer	PVC	Clear
⑤	Screw	Steel	Nickel

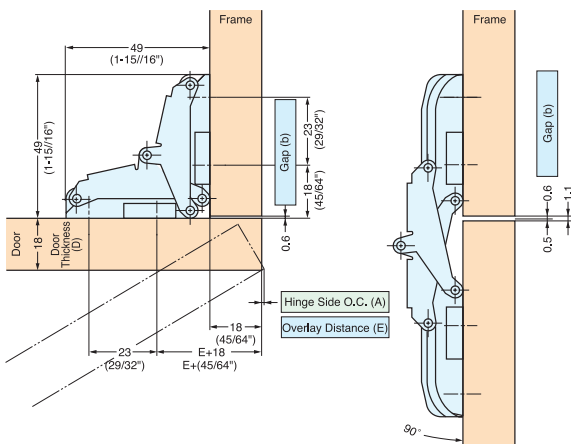
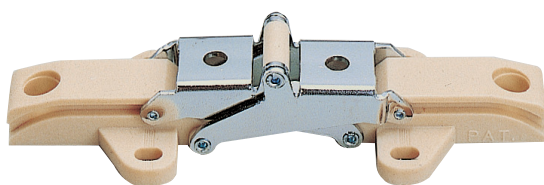
Item No.		Weight (g)	Box (pcs)	Carton (pcs)
GH-36/NCRL	GH-36/NCRR	24.5	100	400

CONCEALED HINGE



T-90-200

- Concealed hinge for either inset or overlay installation.



■ Door Thickness (D) and Gap (b) Table 1.

Door thickness (D)	15	16	17	18
Gap (b)	0.2	0.3	0.5	0.6

■ Hinge side opening clearance chart Table 2.

Door thickness (D)	Overlay distance (E)			
	15	16	17	18
15	1.1	0.5	0	0
16	2.0	1.4	0.8	0.2
17	2.9	2.3	1.7	1.1
18	3.8	3.2	2.6	2.0
Hinge side O.C. (A)				

Item No.	Weight (g)	Box (pcs)
T-90-200	45	200

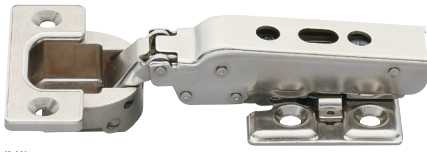
Part Name	Material	Finish
Arm	Polyamide	Ivory
Body	Steel	Chrome

HEAVY DUTY CONCEALED HINGE (25mm OVERLAY)

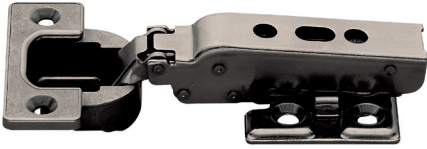


J95-24/25T, J95-C24/25T

HINGES



Nickel (NI)



Black Nickel (BN)

- Load capacity: 25 kg (55 lbs)/2 pcs, 40 kg (88 lbs)/3 pcs.
- Maximum door width: 800 mm (31-1/2")/2 pcs, 900 mm (35-7/16")/3 pcs.
- Clip on type for easy installation.
- 3-way adjustment with door installed.
- Requires 6 M5 or equivalent (US#10) screws: 2 pcs for each hinge, and 4 pcs for each mounting plate.
- Optional hinge cover (J95SC-25) and mounting plate cover (J95ZC) available (sold separately p.288).
- For glass door applications, see page 283.



Grey (GR)

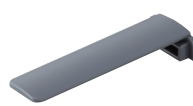


Nickel (NI)



Black Chrome (BC)

J95ZC-GR/NI/BC
Mounting Plate Cover
Sold Separately
(See p.288)



Grey (GR)



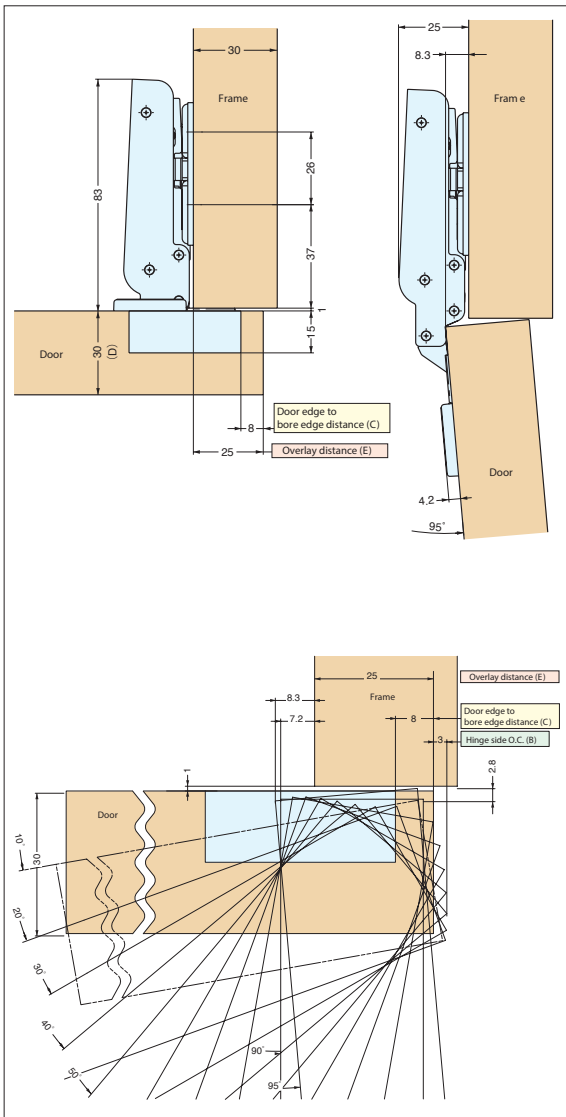
Nickel (NI)



Black Chrome (BC)

J95SC-25GR/NI/BC
Safety Cover
Sold Separately
(See p.288)

Wood Door Application



■ Door edge to bore edge distance (C) and Overlay distance (E)

Table 1.

Door edge to bore edge distance (C)	3	4	5	6	7	8
Overlay distance (E)	20	21	22	23	24	25

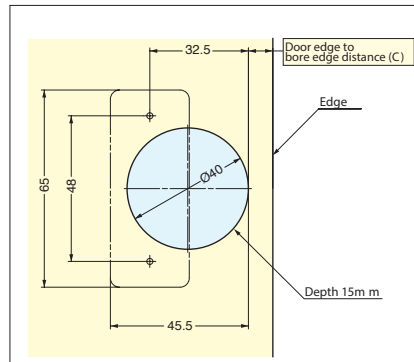
■ Hinge side opening clearance chart

Table 2.

Door thickness (D)*	Door edge to bore edge distance (C)					
	3	4	5	6	7	8
18	0.3	0.3	0.3	0.3	0.3	0.3
20	0.5	0.5	0.5	0.5	0.5	0.5
22	0.8	0.8	0.8	0.7	0.7	0.7
24	1.1	1.1	1.1	1.1	1.1	1.1
26	1.7	1.6	1.6	1.5	1.5	1.5
28	3.2	2.8	2.5	2.2	2.1	2.0
30	5.0	4.5	4.0	3.6	3.3	3.0
32	6.8	6.2	5.7	5.2	4.8	4.4
34	8.6	8.0	7.5	6.9	6.5	6.0

Hinge side O.C. (B)

*If the door thickness is over 30 mm (1-3/16") the door will need to be chamfered.



Bore Dimensions

Item No.	Type	Weight (g)	Box (pcs)	Carton (pcs)	Finish
J95-24/25T-NI	Free Swing	131	10	100	Nickel (NI)
J95-C24/25T-NI	Self-Closing	143			Black Nickel (BN)
J95-24/25T-BN	Free Swing	131			
J95-C24/25T-BN	Self-Closing	143			

Part Name	Material
Cup	Zinc Alloy
Body	Steel

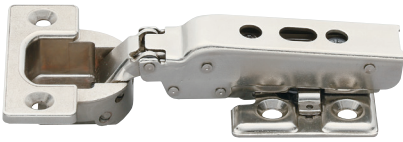
*Requires J95-P6T Mounting Plate (sold separately p.288).

HEAVY DUTY CONCEALED HINGE (25MM OVERLAY)

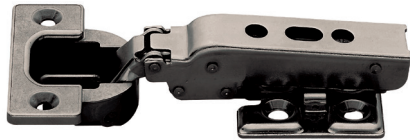
HEAVY DUTY CONCEALED HINGE (25mm OVERLAY)



J95-24/25T, J95-C24/25T



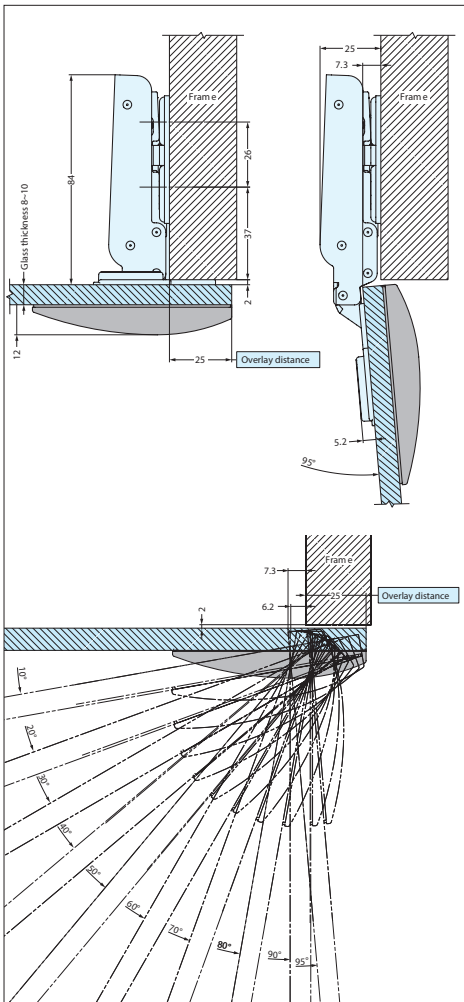
Nickel (NI)



Black Nickel (BN)

- Load capacity: 25 kg (55 lbs)/2 pcs, 35 kg (77 lbs)/3 pcs.
- Maximum door width: 800 mm (31-1/2")/2 pcs.
- Recommended door thickness: 8-10mm (5/16-3/8) for tempered glass only.
- Clip on type for easy installation.
- 3-way adjustment with door installed.
- Requires 6 M5 or equivalent (US#10) screws: 2 pcs for each hinge, and 4 pcs for each mounting plate.
- Optional hinge cover (J95SC-25) and mounting plate cover (J95ZC) available (sold separately p.288).
- Glass face plate (GH-J95FP) also available (sold separately p.289).
- For wood door applications, see page 282.

Glass Door Application



GH-J95FP/CR/SN/BL
Glass Face Plate
Sold Separately
(See p.289)



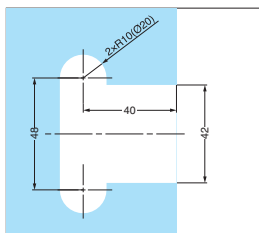
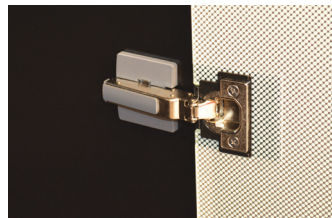
J95ZC-GR/NI/BC
Mounting Plate Cover
Sold Separately
(See p.288)



J95SC-25GR/NI/BC
Safety Cover
Sold Separately
(See p.288)

Hinge side opening clearance chart

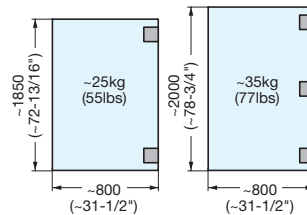
Glass thickness (D)	Hinge side O.C.
8	0
9.5 (3/8")	0
10	0



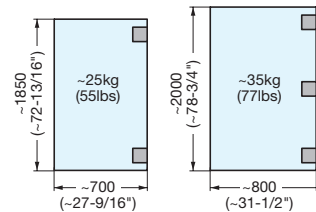
Bore Dimensions



■ Glass thickness 8 mm



■ Glass thickness 10 mm



Item No.	Type	Weight (g)	Box (pcs)	Carton (pcs)	Finish
J95-24/25T-NI	Free Swing	131	10	100	Nickel (NI)
J95-C24/25T-NI	Self-Closing	143			Nickel (NI)
J95-24/25T-BN	Free Swing	131			Black Nickel (BN)
J95-C24/25T-BN	Self-Closing	143			Black Nickel (BN)

Part Name	Material
Cup	Zinc Alloy
Body	Steel

*Requires J95-P6T Mounting Plate and GH-J95FP faceplate for glass door application (sold separately p.288-289).

HEAVY DUTY CONCEALED HINGE (16mm OVERLAY)



J95-24/16T, J95-C24/16T

HINGES

HEAVY DUTY CONCEALED HINGE (16MM OVERLAY)

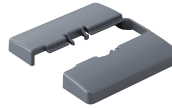


Nickel (NI)



Black Nickel (BN)

- Load capacity: 25 kg (55 lbs)/2 pcs, 40 kg (88 lbs)/3 pcs.
- Maximum door width: 800 mm (31-1/2")/2 pcs, 900 mm (35-7/16")/3 pcs.
- Clip on type for easy installation.
- 3-way adjustment with door installed.
- Requires 6 M5 or equivalent (US#10) screws: 2 pcs for each hinge, and 4 pcs for each mounting plate.
- Optional hinge cover (J95SC-16) and mounting plate cover (J95ZC) available (sold separately p.288).
- For glass door applications, see page 285.



Grey (GR)



Nickel (NI)



Black Chrome (BC)

J95ZC-GR/NI/BC
Mounting Plate Cover
Sold Separately
(See p.288)



Grey (GR)



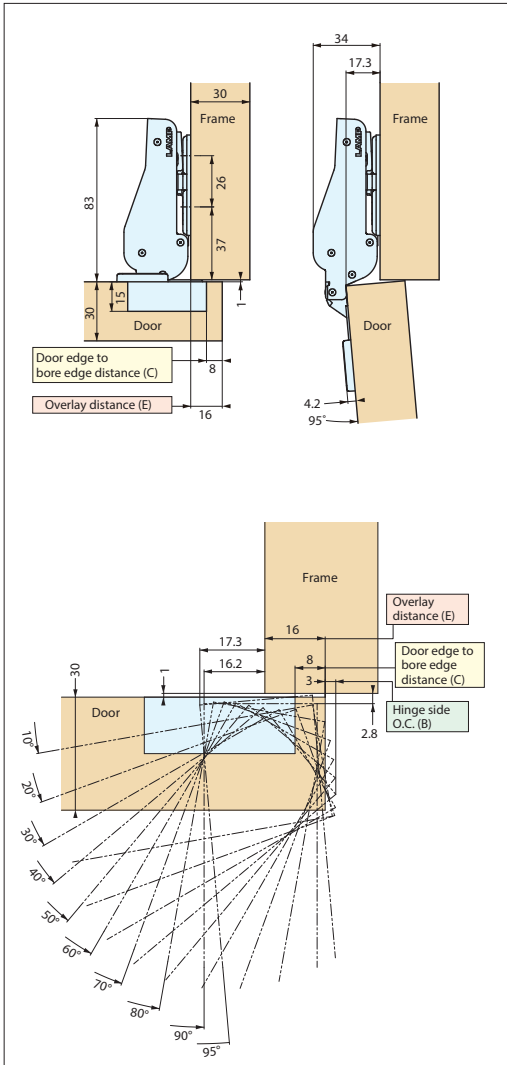
Nickel (NI)



Black Chrome (BC)

J95SC-16GR/NI/BC
Safety Cover
Sold Separately
(See p.288)

Wood Door Application



■ Door edge to bore edge distance (C) and Overlay distance (E) Table 1.

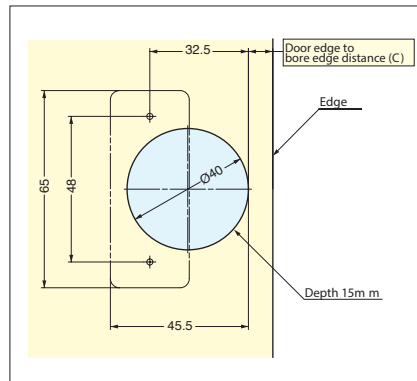
Door edge to bore edge distance (C)	3	4	5	6	7	8
Overlay distance (E)	11	12	13	14	15	16

■ Hinge side opening clearance chart Table 2.

Door thickness (D)*	Door edge to bore edge distance (C)					
	3	4	5	6	7	8
18	0.3	0.3	0.3	0.3	0.3	0.3
20	0.5	0.5	0.5	0.5	0.5	0.5
22	0.8	0.8	0.8	0.7	0.7	0.7
24	1.1	1.1	1.1	1.1	1.1	1.1
26	1.7	1.6	1.6	1.5	1.5	1.5
28	3.2	2.8	2.5	2.2	2.1	2.0
30	5.0	4.5	4.0	3.6	3.3	3.0
32	6.8	6.2	5.7	5.2	4.8	4.4
34	8.6	8.0	7.5	6.9	6.5	6.0

Hinge side O.C. (B)

*If the door thickness is over 30 mm (1-3/16") the door will need to be chamfered.



Bore Dimensions

Item No.	Type	Weight (g)	Box (pcs)	Carton (pcs)	Finish
J95-24/16T-NI	Free Swing	131	10	50	Nickel (NI)
J95-C24/16T-NI	Self-Closing	143			
J95-24/16T-BN	Free Swing	131			
J95-C24/16T-BN	Self-Closing	143			Black Nickel (BN)

Part Name	Material
Cup	Zinc Alloy
Body	Steel

*Requires J95-P6T Mounting Plate (sold separately p.288).

HEAVY DUTY CONCEALED HINGE (16mm OVERLAY)



J95-24/16T, J95-C24/16T

HINGES

HEAVY DUTY CONCEALED HINGE (16MM OVERLAY)

Nickel (NI)

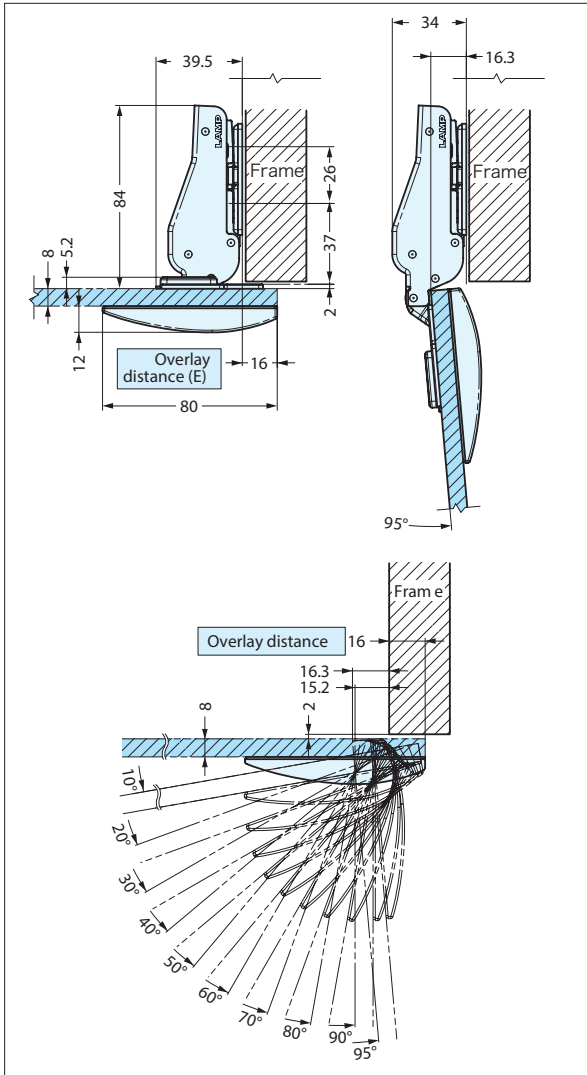


Black Nickel (BN)



- Load capacity: 25 kg (55 lbs)/2 pcs, 35 kg (77 lbs)/3 pcs.
- Maximum door width: 800 mm (31-1/2")/2 pcs.
- Recommended door thickness: 8-10mm (5/16-3/8) for tempered glass only.
- Clip on type for easy installation.
- 3-way adjustment with door installed.
- Requires 6 M5 or equivalent (US#10) screws: 2 pcs for each hinge, and 4 pcs for each mounting plate.
- Optional hinge cover (J95SC-16) and mounting plate cover (J95ZC) available (sold separately p.288).
- Glass face plate (GH-J95FP) also available (sold separately p.289).
- For wood door applications, see page 284.

Glass Door Application



GH-J95FP/CR/SN/BL
Glass Face Plate
Sold Separately
(See p.289)



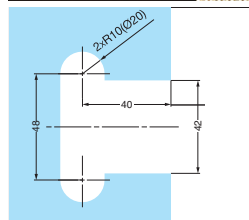
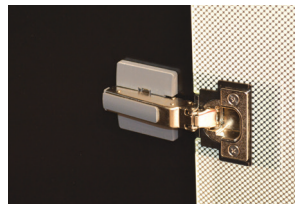
J95ZC-GR/NI/BC
Mounting Plate Cover
Sold Separately
(See p.288)



J95SC-16GR/NI/BC
Safety Cover
Sold Separately
(See p.288)

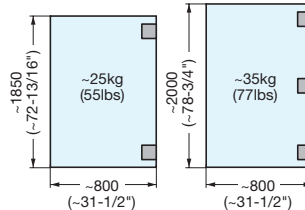
■ Hinge side opening clearance chart

Glass thickness (D)	Hinge side O.C.
8	0
9.5 (3/8")	0
10	0

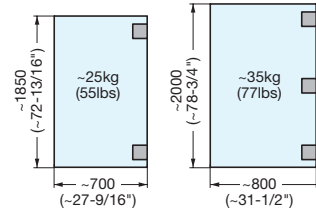


Bore Dimensions

■ Glass thickness 8 mm



■ Glass thickness 10 mm



Item No.	Type	Weight (g)	Box (pcs)	Carton (pcs)	Finish
J95-24/16T-NI	Free Swing	131	10	50	Nickel (NI)
J95-C24/16T-NI	Self-Closing	143			
J95-24/16T-BN	Free Swing	131			
J95-C24/16T-BN	Self-Closing	143			Black Nickel (BN)

Part Name	Material
Cup	Zinc Alloy
Body	Steel

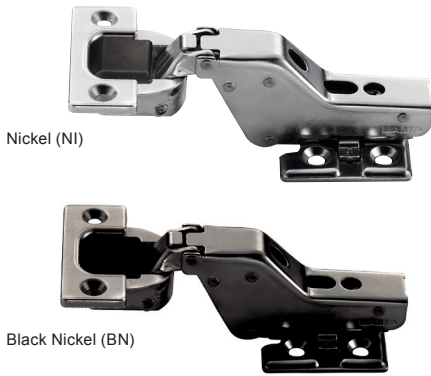
*Requires J95-P6T Mounting Plate and GH-J95FP faceplate for glass door application (sold separately p.288-289).

HEAVY DUTY CONCEALED HINGE (INSET)

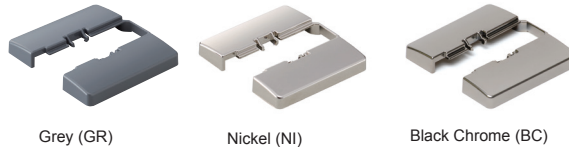


J95-24/0T, J95-C24/0T

HINGES



- Load capacity: 25 kg (55 lbs)/2 pcs, 40 kg (88 lbs)/3 pcs.
- Maximum door width: 800 mm (31-1/2")/2 pcs, 900 mm (35-7/16")/3 pcs.
- Clip on type for easy installation.
- 3-way adjustment with door installed.
- Requires 6 M5 or equivalent (US#10) screws: 2 pcs for each hinge, and 4 pcs for each mounting plate.
- Optional hinge cover (J95SC-0) and mounting plate cover (J95ZC) available (sold separately p.288).
- For glass door applications, see page 287.

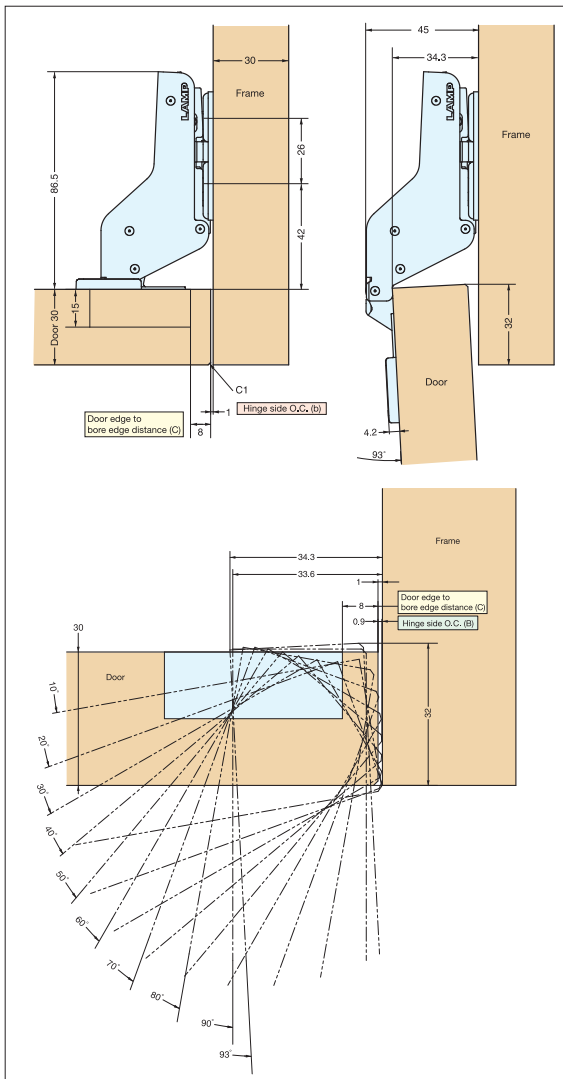


J95ZC-GR/NI/BC
Mounting Plate Cover
Sold Separately
(See p.288)



J95SC-0GR/NI/BC
Safety Cover
Sold Separately
(See p.288)

Wood Door Application



■ Door edge to bore edge distance (C) and Hinge side O.C. (b)

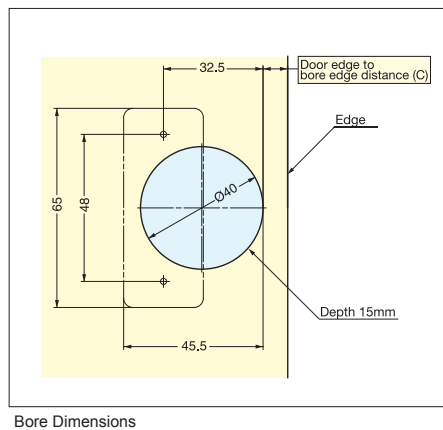
Door edge to bore edge distance (C)	3	4	5	6	7	8
Hinge side O.C. (b)	6	5	4	3	2	1

■ Hinge side opening clearance chart

Door thickness (D)*	Door edge to bore edge distance (C)					
	3	4	5	6	7	8
18	0	0	0	0	0	0
20	0	0	0	0	0	0
22	0.1	0.1	0.1	0.1	0.1	0.1
24	0.1	0.1	0.1	0.1	0.1	0.1
26	0.3	0.3	0.3	0.3	0.3	0.3
28	1.7	1.1	0.6	0.5	0.5	0.5
30	3.5	2.9	2.3	1.8	1.0	0.9
32	5.4	4.7	4.1	3.6	3.0	2.5
34	7.3	6.0	6.0	5.4	4.8	4.3

Hinge side O.C. (B)

*If the door thickness is over 30 mm (1-3/16") the door will need to be chamfered.



Item No.	Type	Weight (g)	Box (pcs)	Carton (pcs)	Finish
J95-24/0T-NI	Free Swing	148	10	50	Nickel (NI)
J95-C24/0T-NI	Self-Closing	160			
J95-24/0T-BN	Free Swing	148			Black Nickel (BN)
J95-C24/0T-BN	Self-Closing	160			

Part Name	Material
Cup	Zinc Alloy
Body	Steel

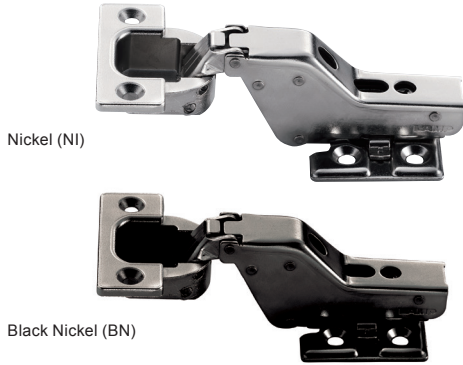
*Requires J95-P6T Mounting Plate (sold separately p.288).

HEAVY DUTY CONCEALED HINGE (INSET)

HEAVY DUTY CONCEALED HINGE (INSET)



J95-24/0T, J95-C24/0T

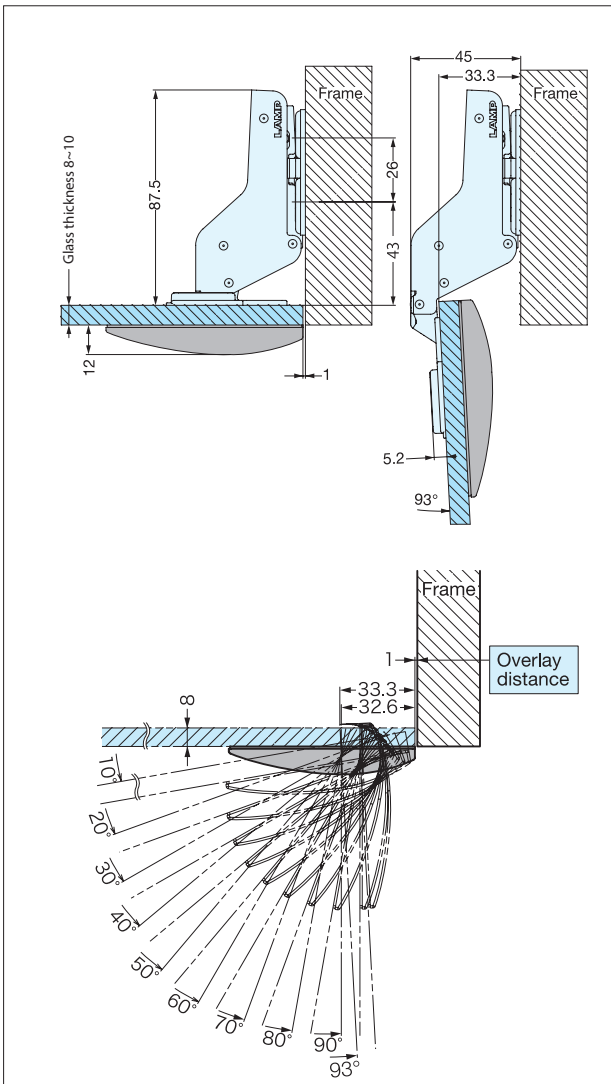


- Load capacity: 25 kg (55 lbs)/2 pcs, 35 kg (77 lbs)/3 pcs.
- Maximum door width: 800 mm (31-1/2")/2 pcs.
- Recommended door thickness: 8-10mm (5/16-3/8) for tempered glass only.
- Clip on type for easy installation.
- 3-way adjustment with door installed.
- Requires 6 M5 or equivalent (US#10) screws: 2 pcs for each hinge, and 4 pcs for each mounting plate.
- Optional hinge cover (J95SC-0) and mounting plate cover (J95ZC) available (sold separately p.288).
- Glass face plate (GH-J95FP) also available (sold separately p.289).
- For wood door applications, see page 286.

HINGES

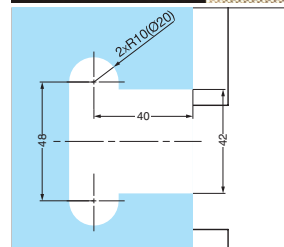
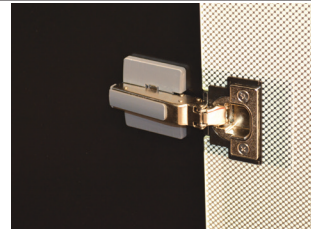
HEAVY DUTY CONCEALED HINGE (INSET)

Glass Door Application



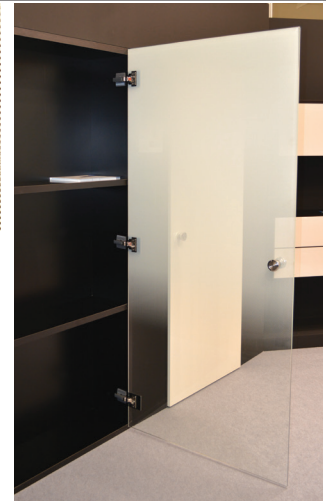
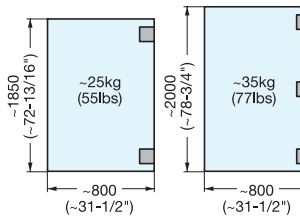
Hinge side opening clearance chart

Glass thickness (D)	Hinge side O.C.
8	0
9.5 (3/8")	0
10	0

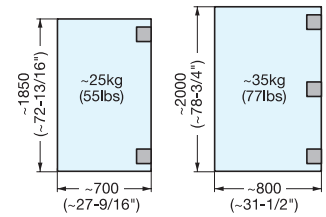


Bore Dimensions

■ Glass thickness 8 mm



■ Glass thickness 10 mm



Item No.	Type	Weight (g)	Box (pcs)	Carton (pcs)	Finish
J95-24/0T-NI	Free Swing	148	10	50	Nickel (NI)
J95-C24/0T-NI	Self-Closing	160			
J95-24/0T-BN	Free Swing	148			
J95-C24/0T-BN	Self-Closing	160			

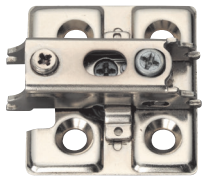
Part Name	Material
Cup	Zinc Alloy
Body	Steel

*Requires J95-P6T Mounting Plate and GH-J95FP faceplate for glass door application (sold separately p.288-289).

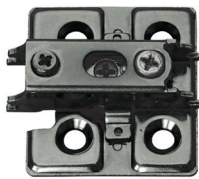
MOUNTING PLATE J95-P6T



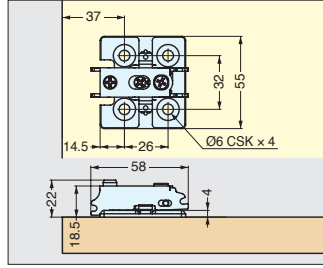
J95-P6T



Nickel (NI)



Black Nickel (BN)



- Vertical adjustment: ± 3 mm ($\pm 1/8$ ").
- Overlay adjustment: $+0/-4$ mm ($\pm 5/32$ ").
- Depth adjustment: $+1.5/-2.5$ mm ($\pm 5/32$ ").
- Specify finish when ordering.

Item No.	Weight (g)	Box (pcs)	Carton (pcs)
J95-P6T-NI	94	10	100
J95-P6T-BN			

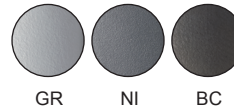
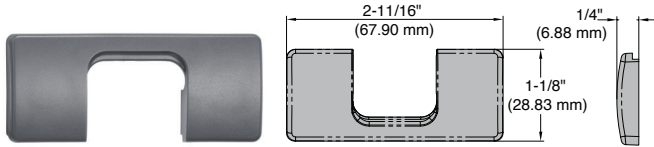
Material	Finish
Steel/Zinc Alloy	Nickel (NI), Black Nickel (BN)

CUP COVER FOR J95 SERIES



J95CC

- Special cover for J95 hinges to hide the screws.
- Comes with a double-sided tape to bond the cover and hinge.
- Please make sure that the surface is clean before taping.



Item No.	Weight (g)	Box (pcs)	Carton (pcs)
J95CC-GR	3.2	50	1000
J95CC-NI			
J95CC-BC			

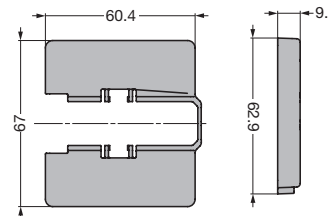
Material	Finish/Color
Plastic (ABS)	Grey (GR), Nickel (NI), Black Chrome (BC)

MOUNTING PLATE COVER



J95ZC

- Mounting plate cover for J95 series.
- Specify finish when ordering.



Nickel cover cap shown

Item No.	Weight (g)	Box (pcs)	Carton (pcs)
J95ZC-GR	9	100	1000
J95ZC-NI			
J95ZC-BC			

Material	Finish/Color
Plastic (ABS)	Grey (GR), Nickel (NI), Black Chrome (BC)

SAFETY COVER

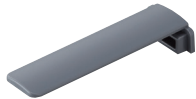


J95SC

Grey (GR)

Nickel (NI)

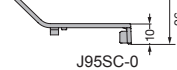
Black Chrome (BC)



J95SC-25



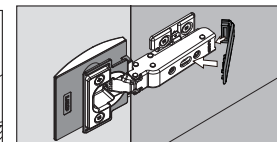
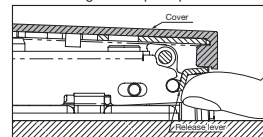
J95SC-16



J95SC-0

- Hinge safety cover for J95 series.
- Specify finish when ordering.

■ The cover locks the release lever of J95 hinge for drop out prevention



Item No.			Weight (g)	Box (pcs)	Carton (pcs)
J95SC-25GR	J95SC-25NI	J95SC-25BC	3	100	1000
J95SC-16GR	J95SC-16NI	J95SC-16BC			
J95SC-0GR	J95SC-0NI	J95SC-0BC			

Material	Finish/Color
Plastic (ABS)	Grey (GR), Nickel (NI), Black Chrome (BC)

GLASS FACEPLATE FOR J95 SERIES



GH-J95FP

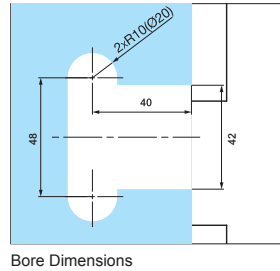
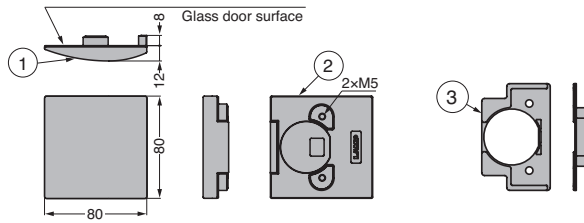


Chrome (CR)

Satin Nickel (SN)

Black (BL)

- Glass faceplates for J95 series.
- Specify finish when ordering.



Item No.	Weight (g)	Box (pcs)	Carton (pcs)
GH-J95FP/CR	320	1	20
GH-J95FP/SN			
GH-J95FP/BL			

No.	Part Name	Material	Finish
①	Face Plate	ZDC	Chrome (CR), Satin Nickel (SN), Black (BL)
②	Face Plate Spacer	Plastic (POM)	
③	Socket Spacer		

GLASS FACEPLATE FOR J95 SERIES

GH-J95FP-Q1



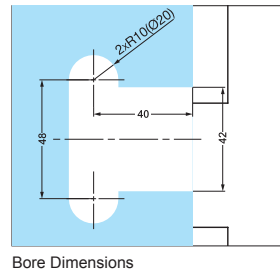
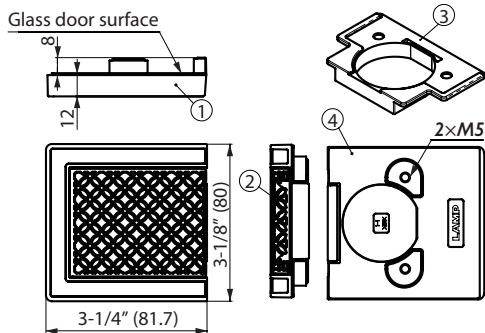
Silver (SL)

Gold (GL)

Brass (BR)

Black (BL)

- Glass faceplates for J95 series.
- Customizable design.
- Specify finish when ordering.



Item No.	Weight (g)	Box (pcs)	Carton (pcs)
GH-J95FP-Q1/SL	347	1	20
GH-J95FP-Q1/GL			
GH-J95FP-Q1/BR			
GH-J95FP-Q1/BL			

No.	Part Name	Material	Finish
①	Face Plate	Zinc Alloy	Silver (SL), Gold (GL), Brass (BR), Black (BL)
②	Decorative Plate	Brass	
③	Socket Spacer	Plastic (POM)	Black
④	Face Plate Spacer		

DAMPER CATCH



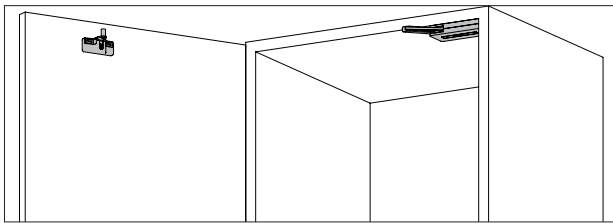
DC-200



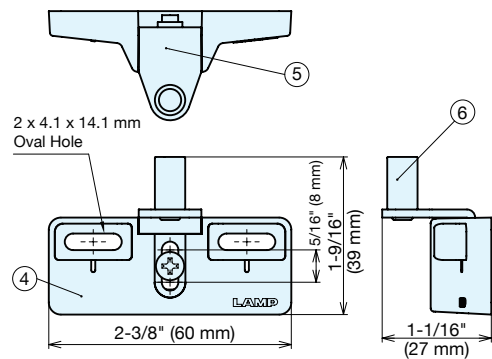
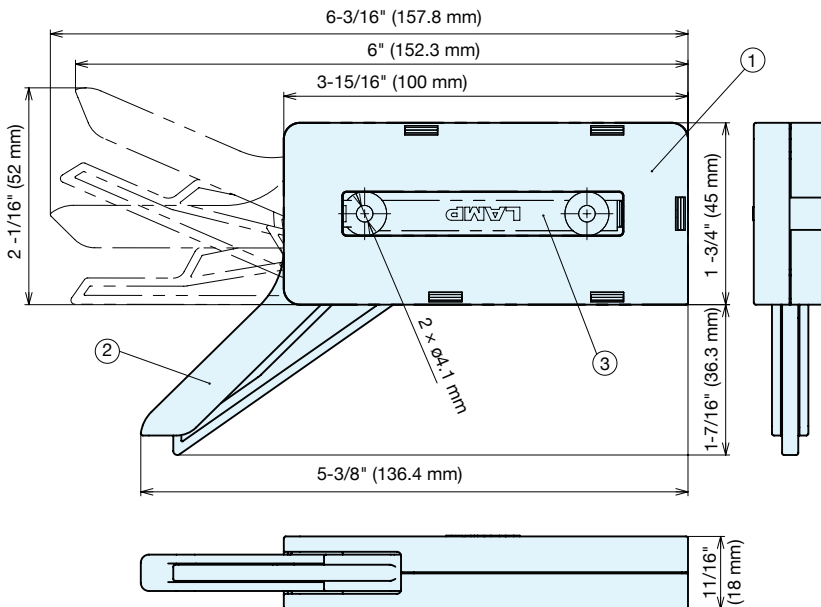
- Damper and catch combination for large cabinetry and closet doors.
- Allows door to soft close and prevent slamming.
- Holds doors in closed position.
- Easy to install by simply aligning body with the interior wall.
- Non-handed.
- Can handle doors up to 88 lbs (40 kg). (When using DC-200 - 40).
- Strike can be adjusted post-installation: horizontally ± 5 mm, vertically ± 4 mm.
- Passed 50,000 open/close cycles in a private test.

RECOMMENDED HINGES

- Heavy Duty Concealed Hinge J95.
- 3way Adjustable Concealed Hinge HES3D-90
- Single axis furniture hinges.



Attach to the interior of the cabinet.



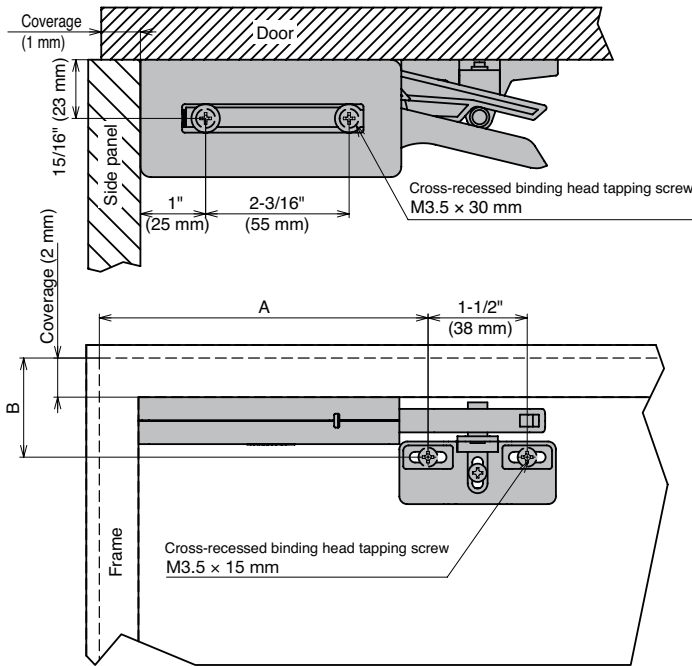
No.	Item Name	Materials	Finish/Colour
①	Body	PC/ABS	White / Black
②	Arm	PA	White / Black
③	Body Cover	ABS	White / Black
④	Counter	PC/ABS	White / Black
⑤	Counter Plate	Steel (SPCC)	Nickel Plating
⑥	Bumper	Elastomer	Gray

Item Name	Colour	Door Width	Door Height Max.	Load Capacity lbs	Weight (g)	Box (pcs)	Carton (pcs)
DC-200-25WT	White	17-3/4" ~ 35-7/16" (450 - 900 mm)	94-1/2" (2400 mm)	15 ~ 55 (7 ~ 25 kg)	105	10	100
DC-200-25BL	Black						
DC-200-40WT	White			55 ~ 88 (25 ~ 40 kg)			
DC-200-40BL	Black						

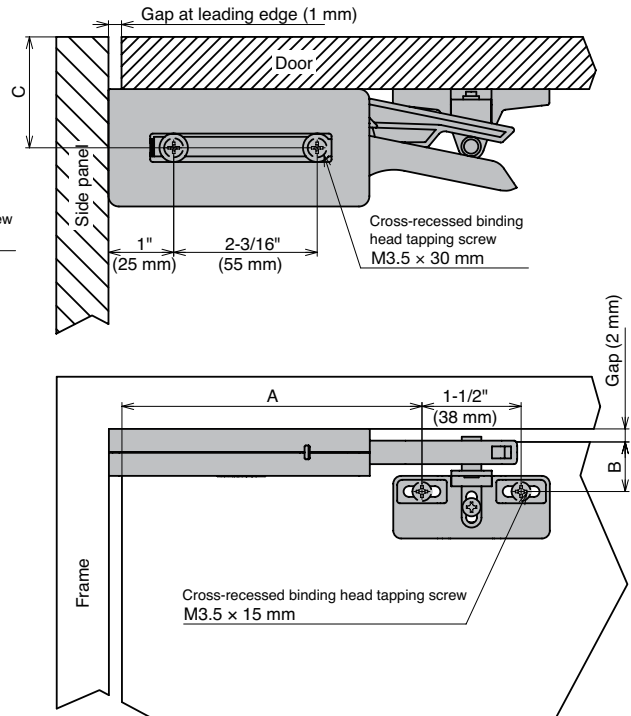
DAMPER CATCH

DC-200

For overlay doors

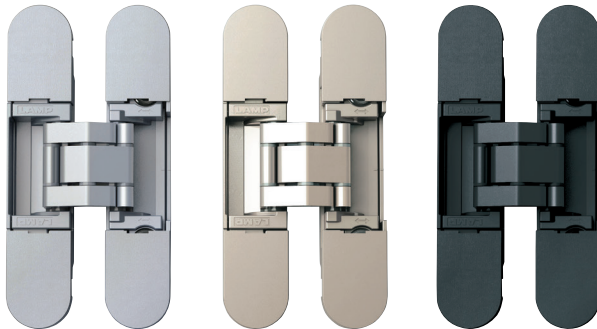


For inset doors Install a door stopper in addition to this product.



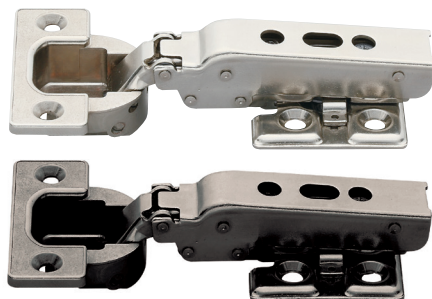
	A	B	C
Outlet Doors	114 + Coverage (1)	24 + Coverage (2)	
Inset Doors	114 - gap at leading edge (1)	24 - gap (2)	23+Door Thickness

RELATED PRODUCTS



3-WAY ADJUSTABLE CONCEALED HINGE HES3D-90

- 3-WAY adjustment function allows vertical, horizontal, and depth adjustment.
- Covers hide all screw heads for clean appearance.
- Hinge leaves separate for easy installation and adjustment.
- Door weight: Max. 26 lbs (12 kg)/2 pcs, 35 lbs (16 kg)/3 pcs
- Door thickness: Min. 15/16" (23 mm)
- Max door size: H 59-1/16" x W 23-5/8" (1500 mm x 600 mm)
- Includes steel countersunk wood screws.

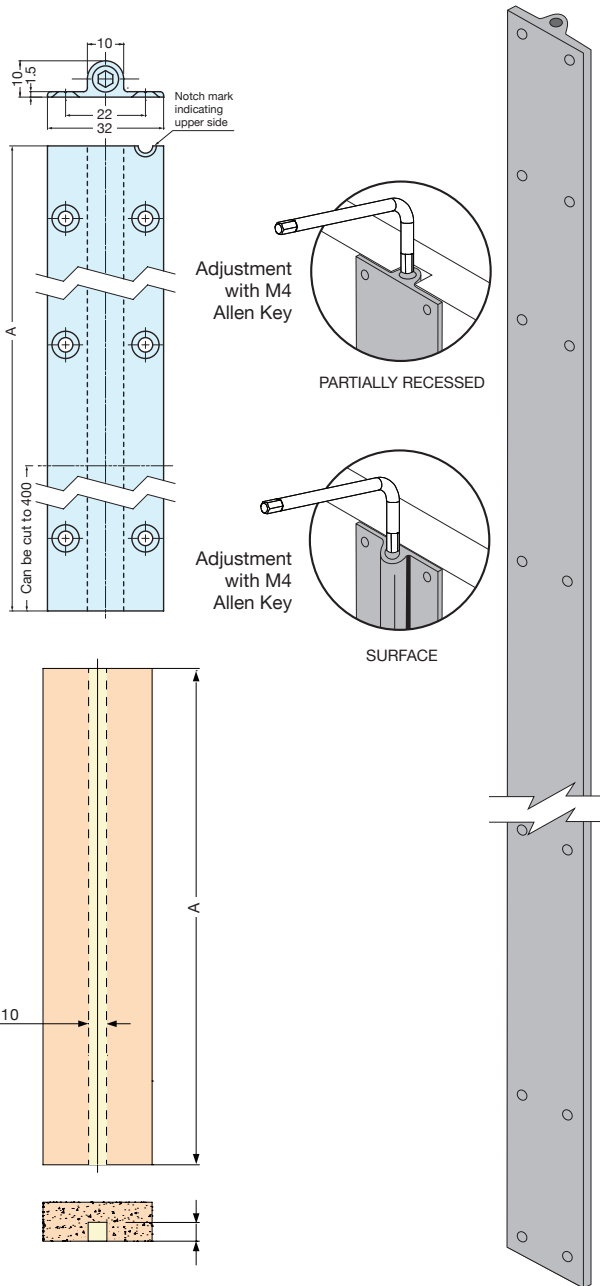


HEAVY DUTY CONCEALED HINGE J95

- Available in inset and overlay
- Load capacity: 55 lbs (25 kg)/2 pcs, 88 lbs (40 kg)/3 pcs.
- Maximum door width: 31-1/2" (800 mm)/2 pcs, 35-7/16" (900 mm)/3 pcs.
- Clip on type for easy installation.
- 3-way adjustment with door installed.
- Optional hinge cover (J95SC-25) and mounting plate cover (J95ZC) available (sold separately p.288).

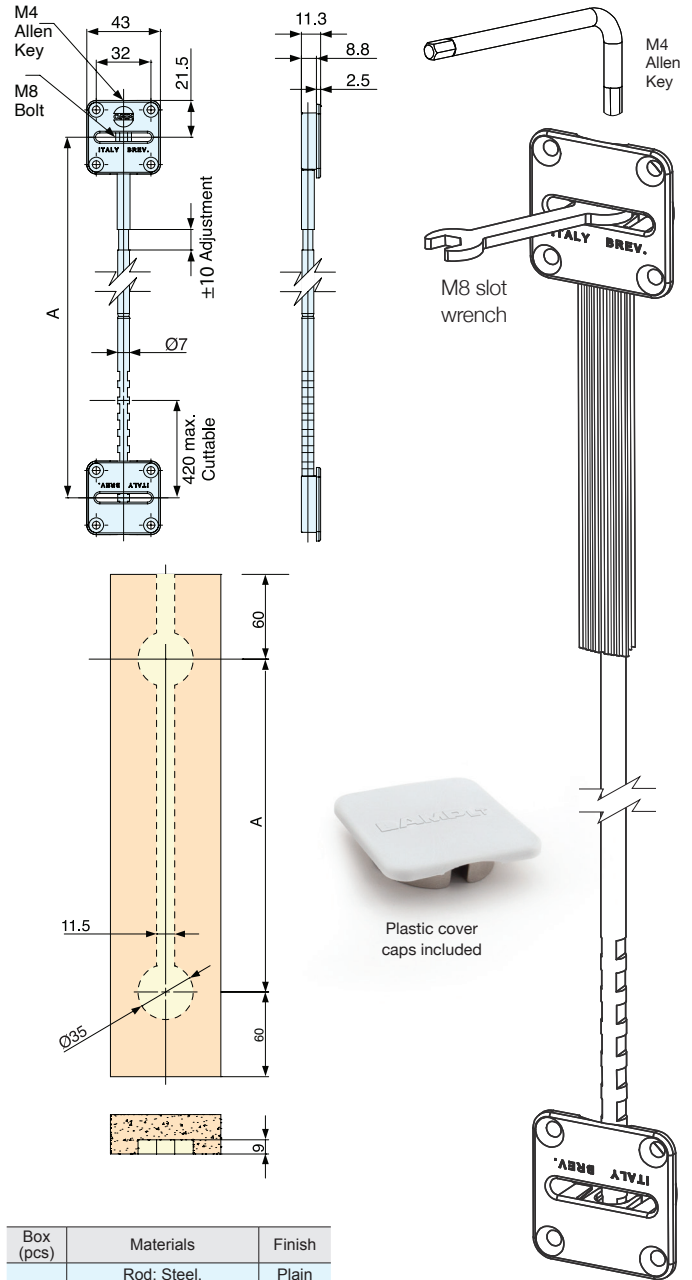
DSR701-RECESSED/SURFACE

- Installed post-production to fix warped doors.
- Must run complete height of door.
- Can be partially recessed or surface mounted to the back of the door.
- ± 10 mm adjustment can be made from the top of the door with a M4 Allen Key (included).
- Min. door thickness 16 mm (9/16").
- Requires M4 (U.S. #8) flathead wood countersunk screws for partially recessed installation or wood panhead screws for surface installation.
- Can be cut from the bottom up to 400mm.
- Note: Sold in Boxes of 10 pieces.



DSR213-RECESSED

- Installed at time of production to prevent door from warping.
- Adjustors installed 60 mm from the top and bottom of the door.
- Partially Recessed Door Straightener with Cover Caps.
- ± 10 mm adjustment can be made from the top of the door with a M4 Allen Key (included) or from the back of the door with a M8 slot wrench (included).
- Min. door thickness 16 mm (5/8")
- Requires 8 M4 (U.S. #8) flathead contersunk wood screws for installation.
- Note: Sold in Boxes of 25 pieces.



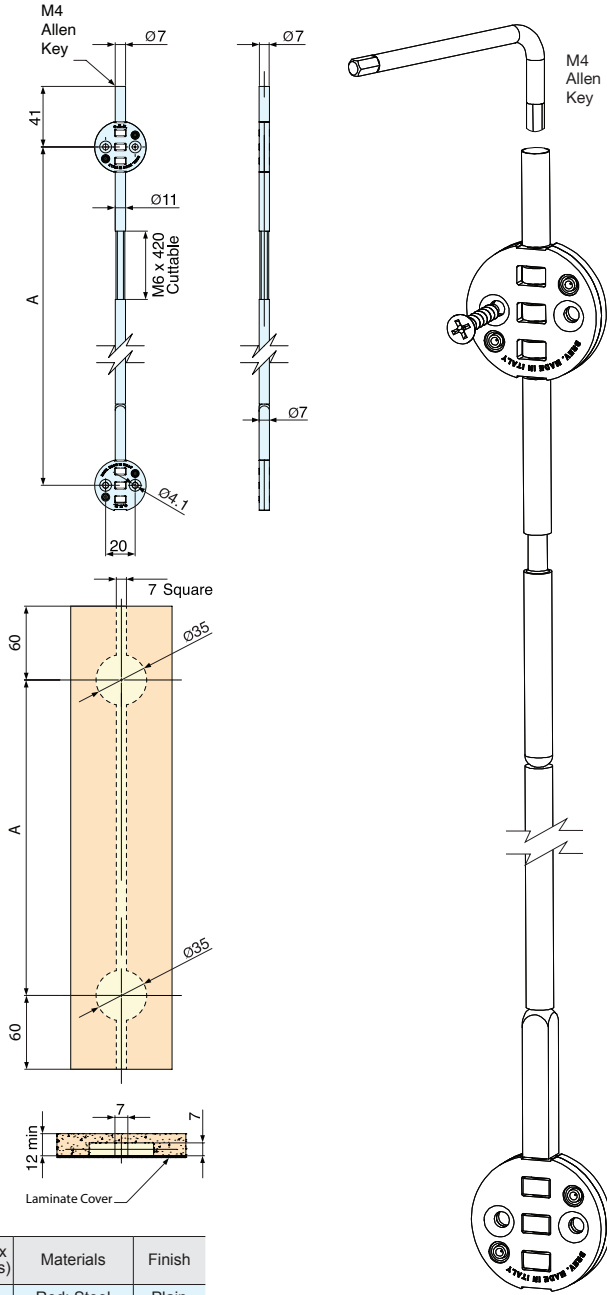
Box (pcs)	Materials	Finish
25	Rod: Steel,	Plain
	Adjuster: Zinc	Nickel
	Covers: PVC Plastic, PPT Plastic	White

Item No.	Min. Door Thickness	Adjust (mm)	Length Min-Max (A)	Box (pcs)	Materials	Finish
DSR701-1830/B-10	5/8"	$\pm 3/8$ "	56-5/16" ~ 72-1/16"	10	Rod: Steel Casing: Aluminum	Black
DSR701-1830/S-10						Silver
DSR701-2200/B-10			Black			
DSR701-2200/S-10			Silver			

Item No.	Min. Door Thickness	Adjust	Center Distance (A)	Door Length
DSR213-1524-25	5/8"	$\pm 3/8$ "	43-7/16" ~ 60"	48-3/16" ~ 64-3/4"
DSR213-1930-25			59-7/16" ~ 76"	64-3/16" ~ 80-11/16"
DSR213-2330-25			75-3/16" ~ 91-3/4"	79-15/16" ~ 96-7/16"
DSR213-2700-25			89-3/4" ~ 106-5/16"	94-1/2" ~ 111"

DSR423-CONCEALED

- Installed at time of production to prevent door from warping.
- Adjustors installed 60 mm from the top and bottom of the door.
- Fully concealed/hidden door straightener. Recessed mounted under laminate.
- ± 10 mm adjustment can be made from the top of the door with a M4 Allen Key (included).
- Min. door thickness 12mm (1/2").
- Optional mounting holes to secure door straightener to door using 4 M4 (U.S. #8) flathead countersunk wood screws.
- Note: Sold in Boxes of 25 pieces.



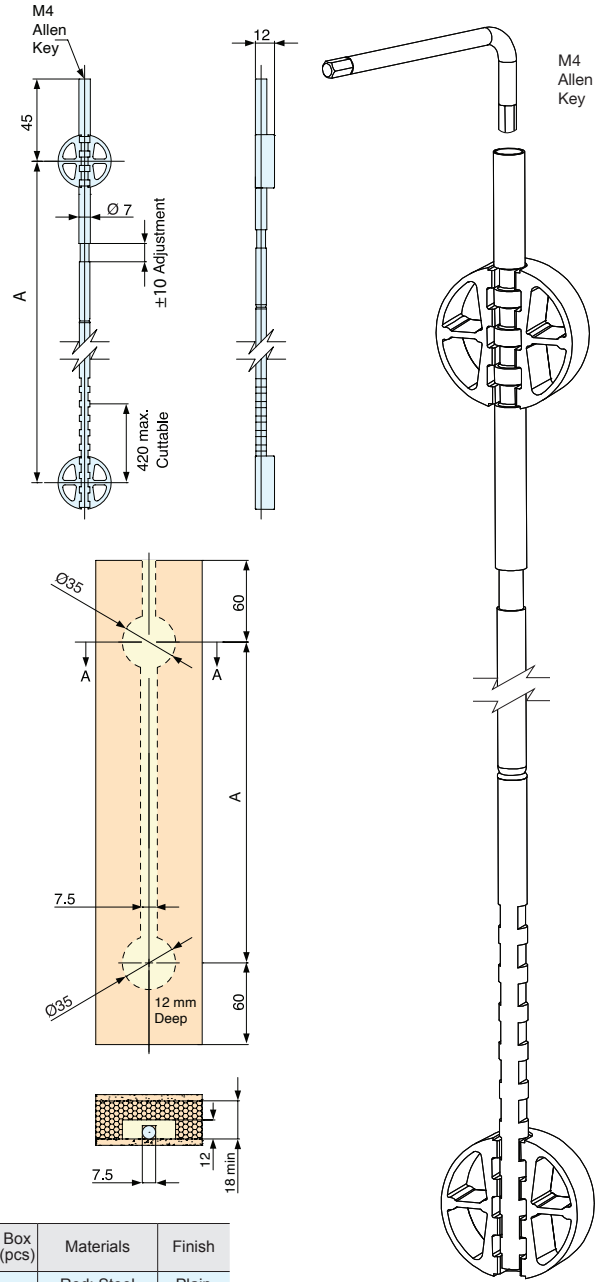
Box (pcs)	Materials	Finish
25	Rod: Steel	Plain
	Adjuster: Zinc	Nickel

Item No.	Min. Door Thickness	Adjust	Center Distance (A)	Door Length
DSR423-1524-25	1/2"	$\pm 3/8$ "	43-7/16" ~ 60"	48-3/16" ~ 64-3/4"
DSR423-1930-25			59-7/16" ~ 176"	64-3/16" ~ 80-11/16"
DSR423-2300-25			74" ~ 90-9/16"	78-3/4" ~ 95-1/4"
DSR423-2700-25			89-3/4" ~ 106-5/16"	94-1/2" ~ 111"

www.sugatsune.com

DSR403-CONCEALED

- Installed at time of production to prevent door from warping.
- Adjustors installed 60 mm from the top and bottom of the door.
- Fully Concealed/Hidden Door Straightener. Recess mounted under laminate.
- ± 10 mm adjustment can be made from the top of the door with a M4 Allen Key (included).
- Min. door thickness 18mm (11/16").
- Pressure-fit into place, screws not needed for installation.
- Note: Sold in Boxes of 25 pieces.



Box (pcs)	Materials	Finish
25	Rod: Steel	Plain
	Adjuster: Zinc	Nickel

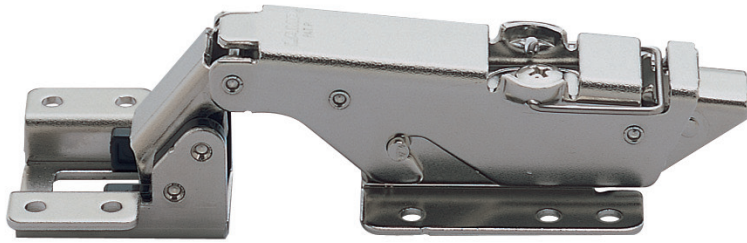
Item No.	Min. Door Thickness	Adjust	Center Distance (A)	Door Length
DSR403-1524-25	11/16"	$\pm 3/8$ "	43-7/16" ~ 60"	48-3/16" ~ 64-3/4"
DSR403-1930-25			59-7/16" ~ 176"	64-3/16" ~ 80-11/16"
DSR403-2300-25			74" ~ 90-9/16"	78-3/4" ~ 95-1/4"
DSR403-2700-25			89-3/4" ~ 106-5/16"	94-1/2" ~ 111"

1-800-562-5267
(U.S.A. Only)

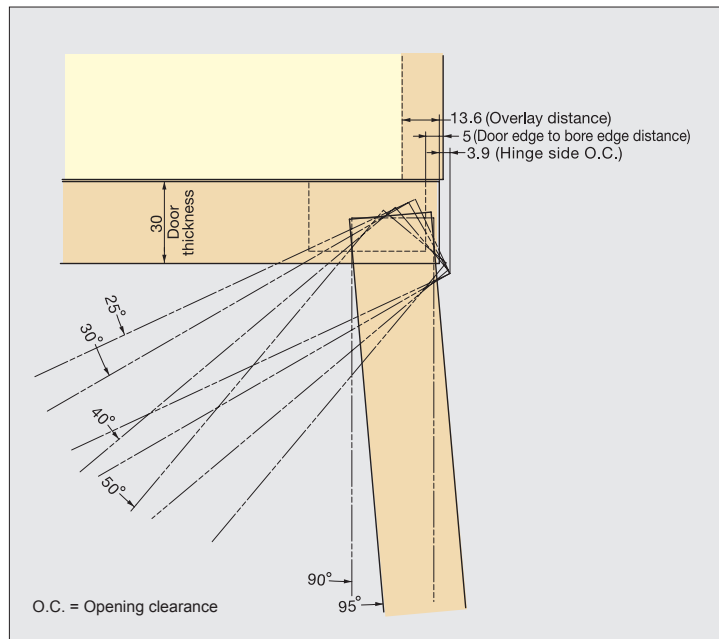
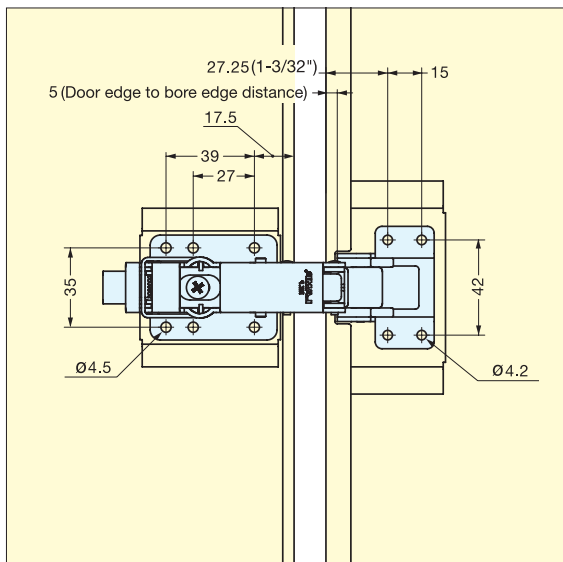
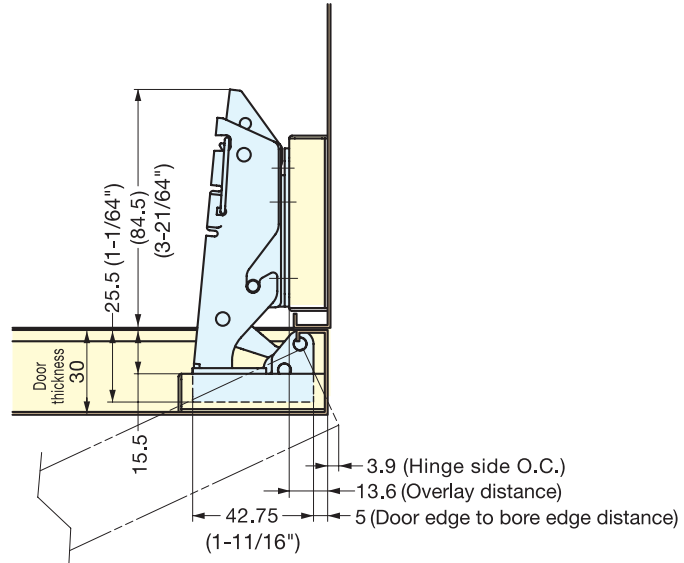
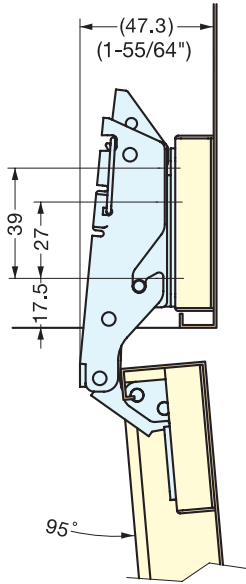
CONCEALED HINGE (CLIP-ON)



H95TS



- 95° opening concealed hinge.
- Clip-on feature allows easy door installation/removal.
- Safety lock feature.
- Door opens without hitting adjacent cabinets.
- Ideal when 2 doors are close together.
- Hinge body and mounting plate sold separately.



Installation

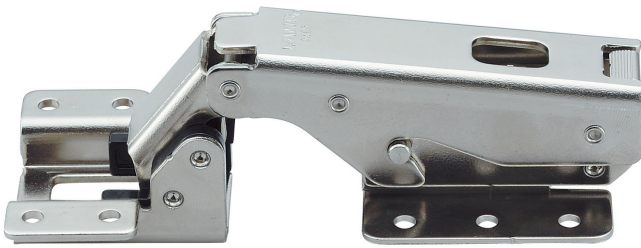
Item No.	Weight (g)	Box (pcs)
H95TSH	149	100
H95TSZ	94	100

Item No.	Part Name	Material	Finish
H95TSH	Body	Steel	Nickel
H95TSZ	Mounting Plate		

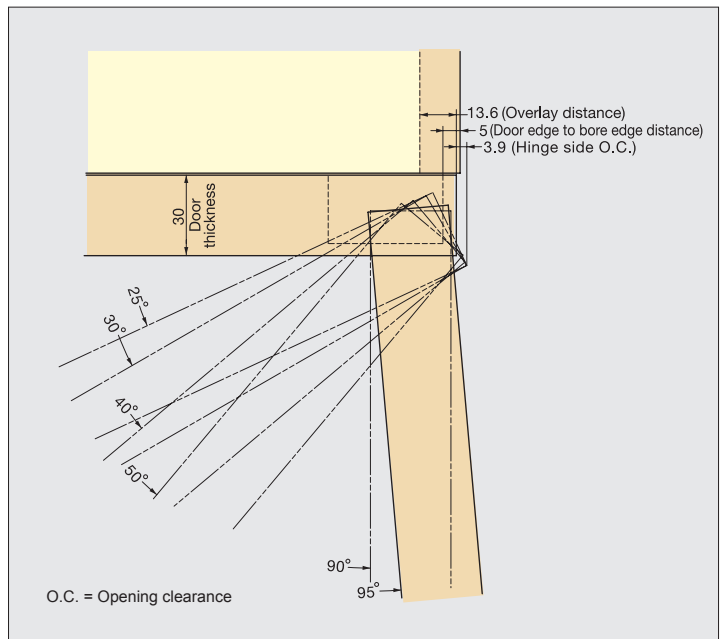
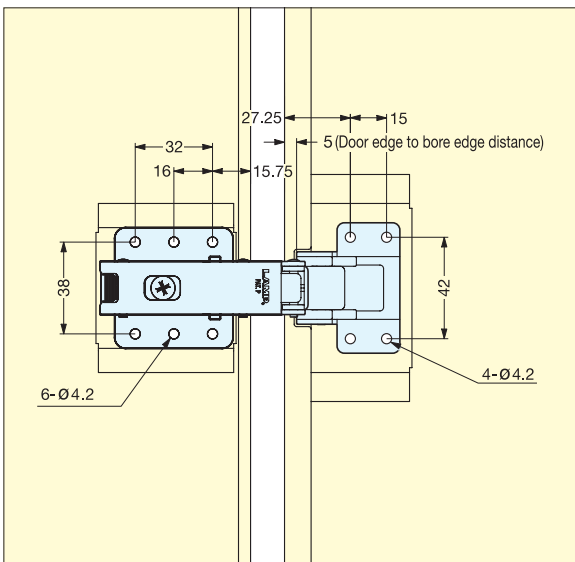
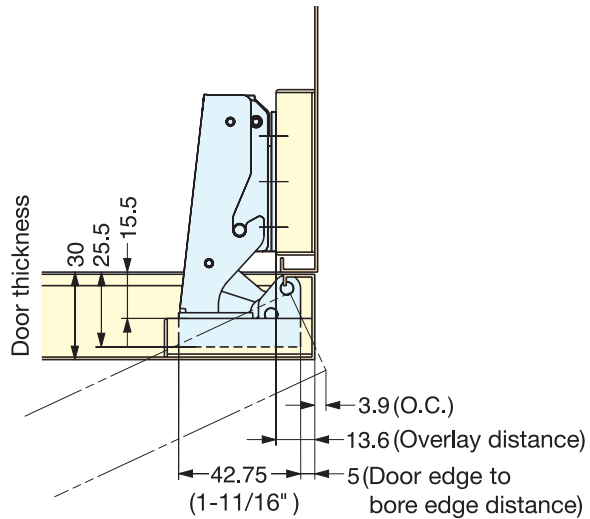
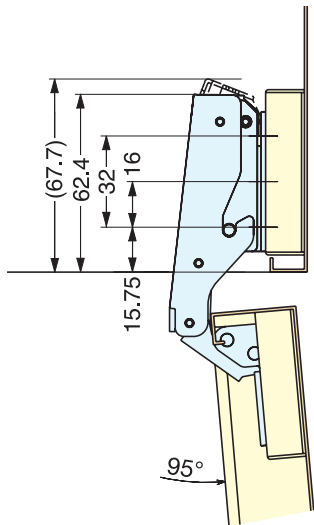
CONCEALED HINGE (CLIP-ON)



H95TM



- 95° opening concealed hinge.
- Clip-on feature allows easy door installation/removal.
- Door opens without hitting adjacent cabinets.
- Ideal when 2 doors are close together.
- Hinge body and mounting plate sold separately.



Installation

Item No.	Weight (g)	Box (pcs)
H95TMH	138	100
H95TMZ	81	100

Item No.	Part Name	Material	Finish
H95TMH	Body	Steel	Nickel
H95TMZ	Mounting Plate		

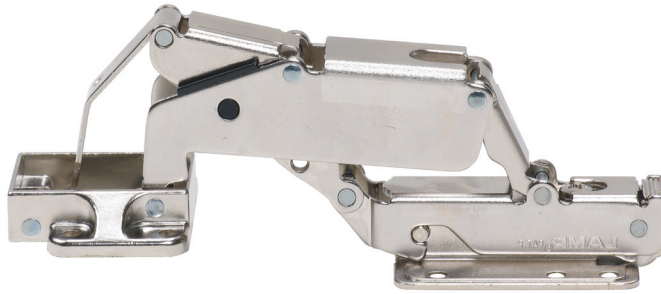
CONCEALED HINGE (CLIP-ON)



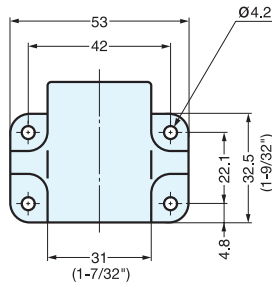
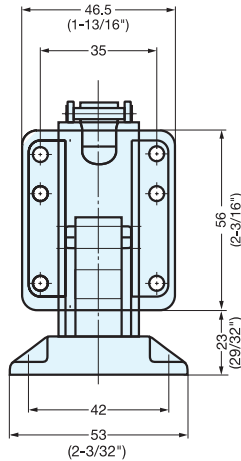
HT-160T

HINGES

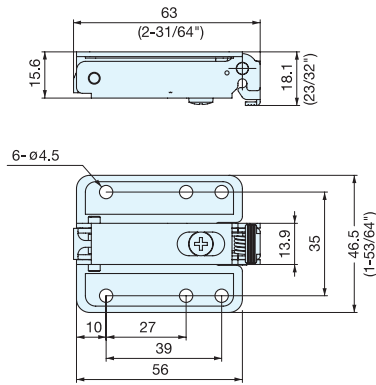
CONCEALED HINGES (CLIP-ON)



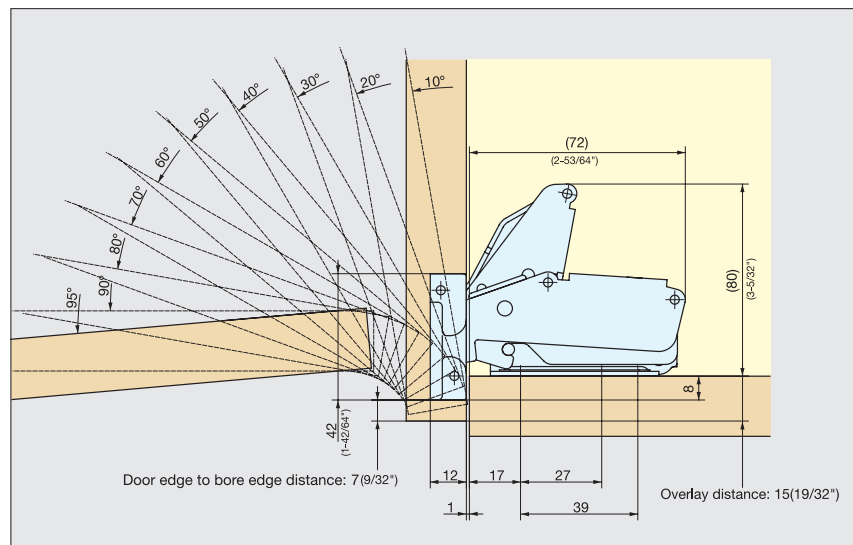
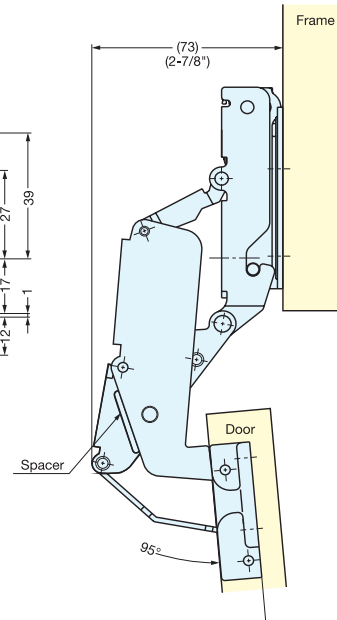
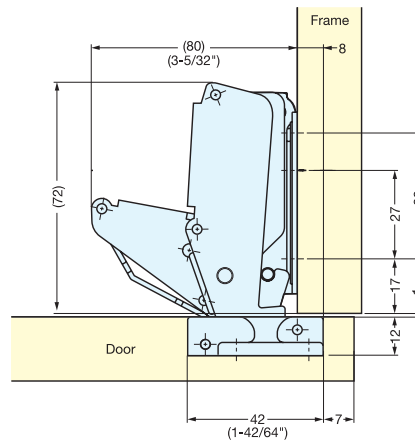
- 95° opening concealed hinge.
- Door opens without hitting adjacent cabinets.
- Ideal when 2 doors are close together.
- Clip-on feature allows easy door installation/removal.
- Hinge body and mounting plate sold separately.



HT-160THV2



HT-160TZ (Mounting Plate)



Item No.	Weight (g)	Box (pcs)
HT-160THV2	205	100
HT-160TZ	68	200

Item No.	Part Name	Material	Finish/Color
HT-160THV2	Plate	Zinc Alloy	Nickel
	Body	Steel	
	Spacer	Polycetal	Black
HT-160TZ	Mounting Plate	Steel	Nickel



Concealed
Hinge
with Adjustable
Soft-Close

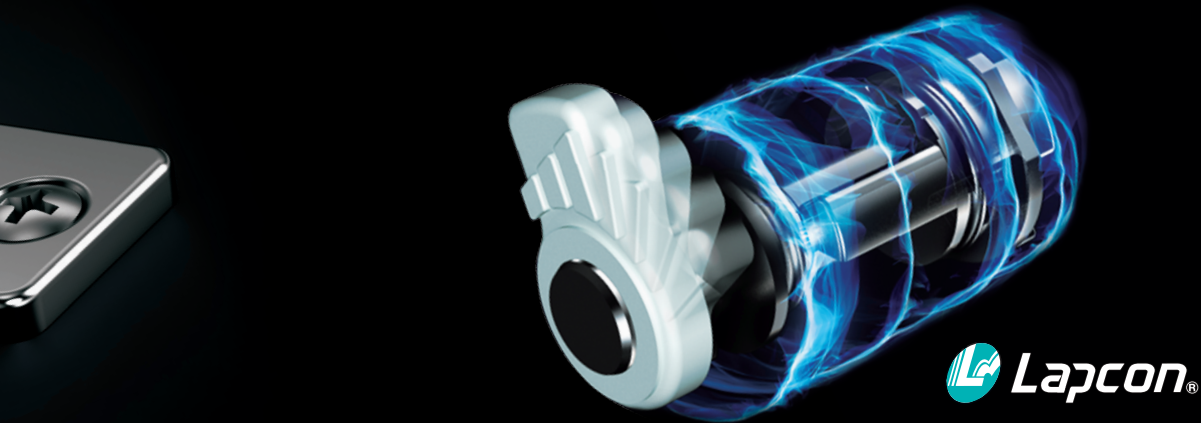
A NEW STEP FOR HINGE TECHNOLOGY

OLYMPIA

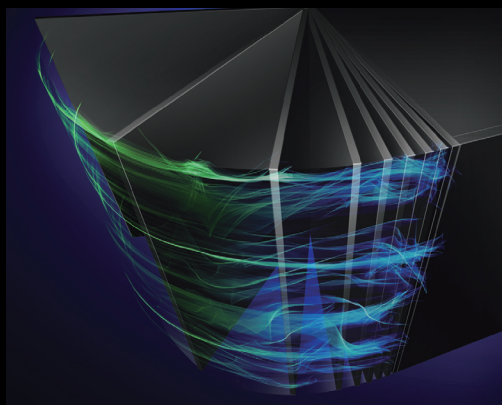
360 POWERED BY  Lapcon.

concept
01





5-speed adjustable soft close.
The first Sugatsune concealed hinge ever
built with Lapcon technology.



The first time Sugatsune's unique Lapcon technology has ever been used inside a concealed hinge. The innovative rotary damper is not only extremely compact, for sleek overall design, its force can also be adjusted in 5 steps for a perfect match regardless of the door size or weight.

■ ■
concept
02
■ ■

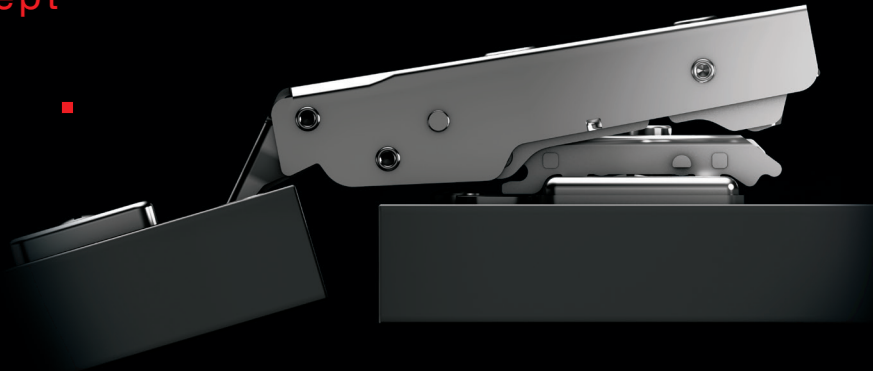
Successfully passed 200,000 cycles test.

For a piece of furniture to last a lifetime,
the hinge must perform flawlessly the
whole time.

Despite official requirements by JIS
(Japanese Standards) asking for only
40,000 cycles, the Olympia hinge has
cleared 5 times as many to ensure that
you will always be able to open and
close your doors without worry.
(The H360 successfully passed
100,000 private cycle test)



concept
03

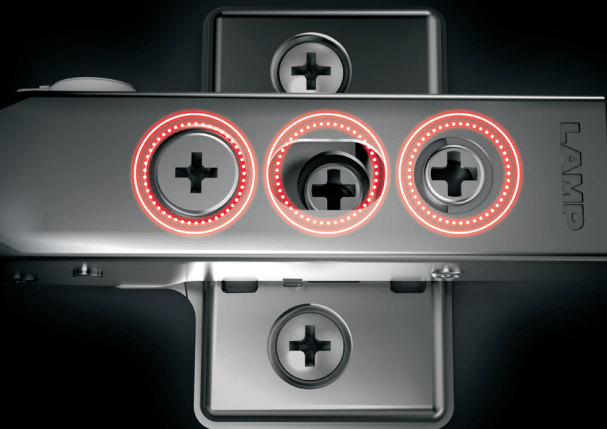


Smooth assembly for a
time-saving installation.

Using an original design of the Turn-Lock system, Olympia can be installed by simply pushing it from the top. This simplifies the installation compared to a traditional Front-First installation, especially in cases where multiple hinges are used.

One screwdriver for a one-handed
3D adjustment.

concept
04



Depth, vertical, horizontal adjustment screws are all located on top. This was made possible because of our original damper.

For standard doors (360)

Depth adjustment: +1.5mm, -2.5mm
Vertical adjustment: ± 2.5 mm
Overlay (Horizontal) adjustment: +0, -4mm

For thick doors (H360)

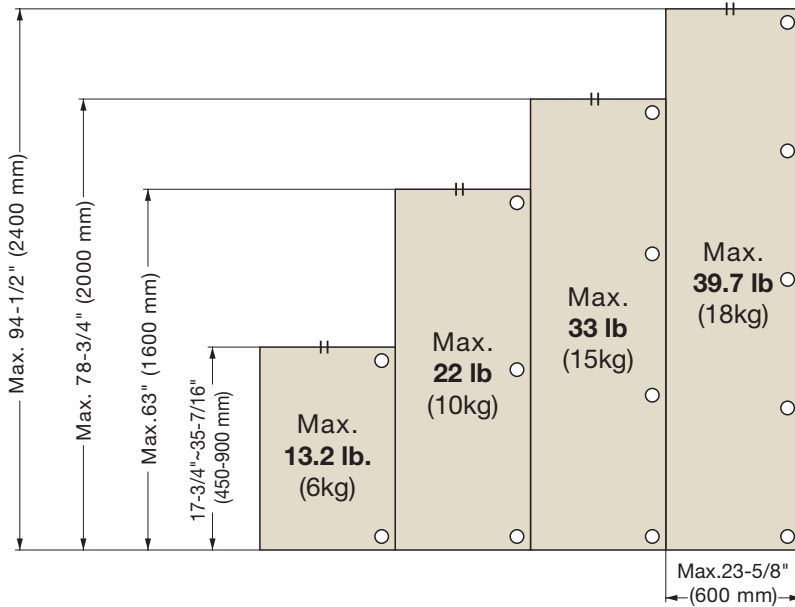
Depth adjustment: +1.7mm, -2.8mm
Vertical adjustment: ± 2.5 mm
Overlay (Horizontal) adjustment: +0, -4mm

HINGE QUANTITY (Recommended)

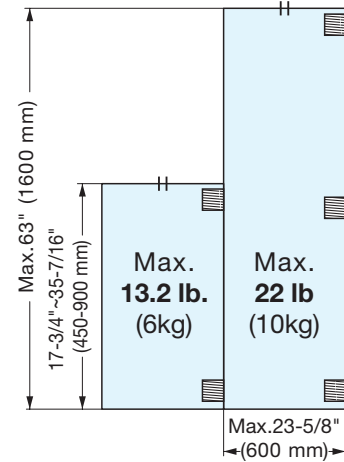
360 Olympia Hinge



Standard wood doors 360



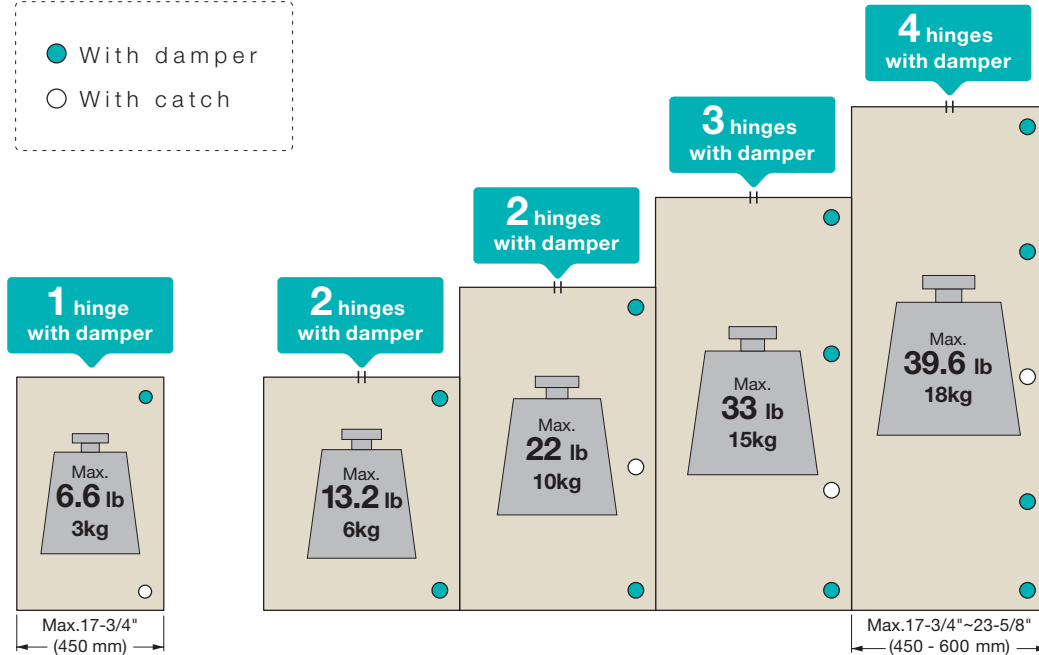
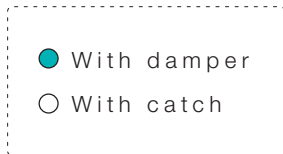
Glass doors 360 and GH-360FP



Door width	Door thickness	Material density	Installation pitch
Max. 23-5/8" (600 mm)	Max. 13/16" (20 mm)	Max. 0.6 mm	Min. 11 13/16" 300 mm

Glass thickness	Installation pitch
3/16~1/4" (4-6 mm)	Min. 11 13/16" (300 mm)

RECOMMENDED TYPE OF DAMPER PER INSTALLATION

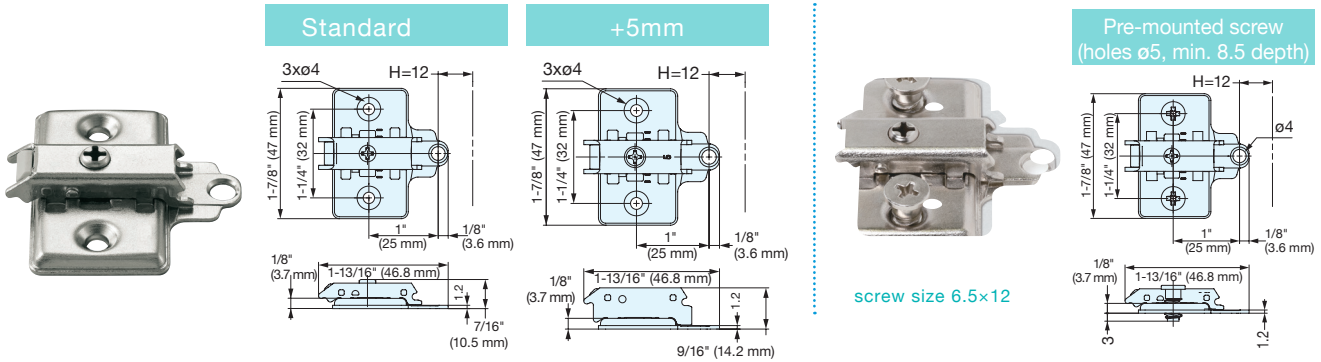


• Please set the door center of gravity as the door center. • If you want to increase the door width, please increase the number of hinges accordingly. • Attach the upper and lower hinges within 100 mm from the edge of the door. When using three or more, install at regular intervals. • Figures shown in the tables above are only indicative. Please always test before finalizing your design. • Please contact us for any other configuration. • The dimensions of the door and the number of hinges mounted are the results of tests made according to the JIS standard. • All screw holes should be used.

MOUNTING PLATES



360-P4W-32T

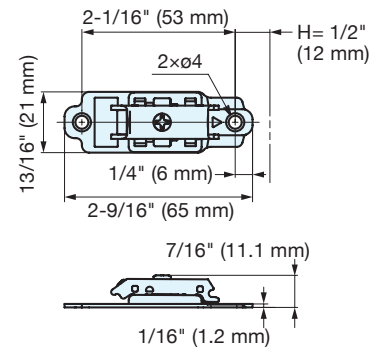


- Value of H for inset installation is "door thickness + 17 mm".
- When using with the GH-360FP, value of H is "door thickness + 19 mm"

Item name	Type	Height Adjust	Material	Finish	Carton
360-P4W-32T	Standard	±2.5mm	Steel	Nickel	400pcs
360-P4W-32T+5	+5mm				
360-P4W-32T-DS	Pre-mounted screw				

MOUNTING PLATE (STRAIGHT TYPE)

360-P3W-53T



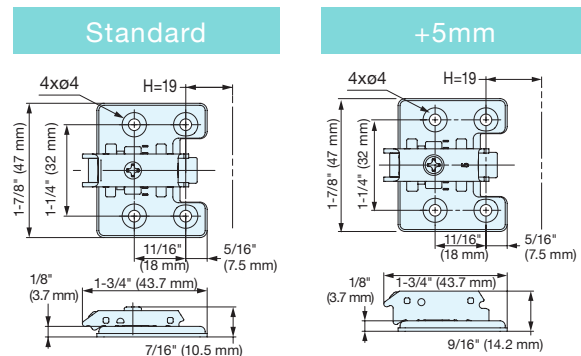
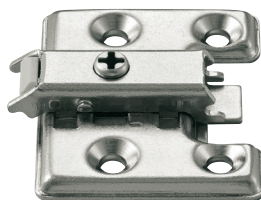
- The slim design gives a sleek look.
- When used with two H360 hinges, door specs should be:
 Door width Max 17-3/4" 450 mm
 Door weight Max 15.4 lb (7 kg)

Item No.	Material	Finish	Weight (g)
360-P3W-53T	Steel	Nickel Plating	20

MOUNTING PLATES 4 HOLES



360-P6WT



- For the standard and +5mm types:
- Value of H for inset installation is "door thickness + 24 mm".
 - When using with the GH-360FP, value of H is "door thickness + 26 mm"
- For the +7.5mm type:
- Value of H for inset installation is "door thickness + 16.5 mm".
 - When using with the GH-360FP, value of H is "door thickness + 18.5 mm".

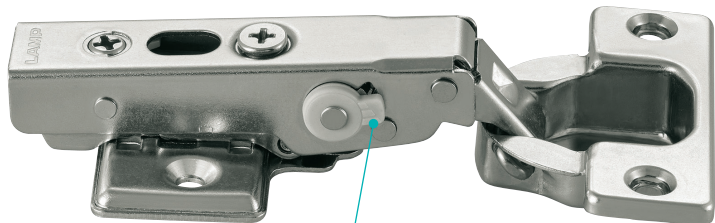
Item name	Type	Height Adjust	Material	Finish	Carton
360-P6WT	Standard	±2.5mm	Steel	Nickel	400pcs
360-P6WT+5	+5mm				

CONCEALED HINGE WITH ADJUSTABLE SOFT-CLOSE

360-26/C26/D26-19T/19T85

HINGES

(19 mm overlay)



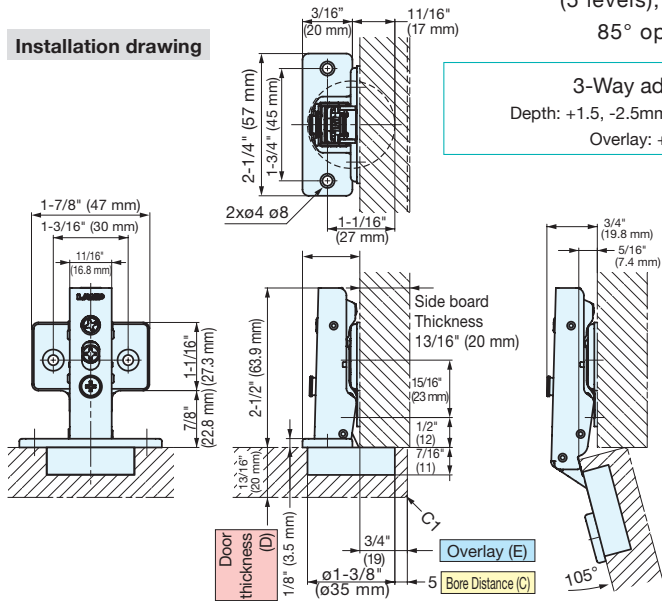
5-speed damper power adjustment lever

With damper function (5 levels), 105° and 85° opening

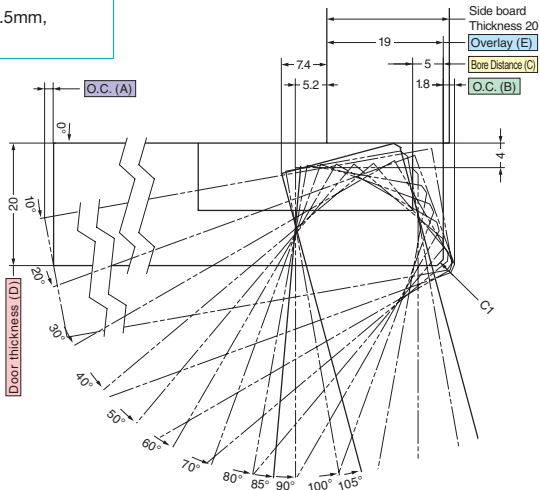
- Featuring 5-speed adjustable damper.
- Load capacity: 6 kg (13.2 lbs)/2 pcs, 10 kg (22 lbs)/3 pcs.
- Maximum door width: 600 mm (23-5/8").
- Maximum door thickness: 20mm (13/16")
- Clip on type for easy installation.
- 3-way adjustment with door installed.
- Mounting plate sold separately.
- Successfully passed 200,000 cycles test.



Installation drawing



Locus chart S=1/1



Drawings show a hinge, face plate and 360-P4W-30T mounting plate (sold separately).

Opening Clearance (O.C.)

Clearances for door edge O.C. (A) and hinge side O.C. (B) are necessary. O.C. (A) and (B) change depending on door thickness and bore distance (C). Refer to locus chart and tables below when designing cabinets.

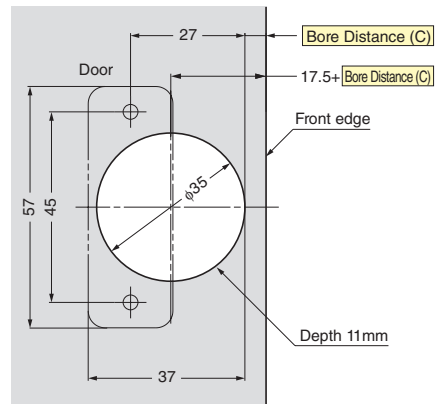
Opening clearance (B), door thickness (D) and bore distance (C) relationship

Door Thickness (D)	Bore Distance (C)		
	3	4	5
15	0.6	0.6	0.5
16	0.8	0.8	0.7
17	1.0	1.0	1.0
18	1.3	1.3	1.2
19	1.6	1.6	1.5
20	2	1.9	1.8
21*	2.4	2.3	2.2
22*	2.8	2.7	2.6
O.C. (B)			

* The table above shows O.C. (B) for C1 chamfering (chamfer plane).

* Please refer to the locus chart if door thickness is over 20mm. O.C. (B) can be made smaller by R chamfering (round chamfer) and C chamfering (chamfer plane) on the door.

Cut out dimensions (wooden doors)



CONCEALED HINGE WITH ADJUSTABLE SOFT-CLOSE (19 MM OVERLAY)

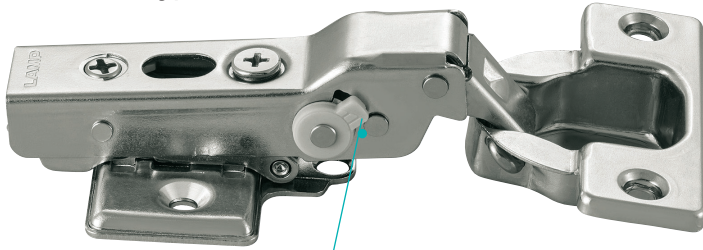
Item name	Opening angle	Type	Material	Finish	Carton
360-D26-19T	105°	Soft close (5 levels)	Steel	Nickel	100pcs
360-26-19T		Free swinging			
360-C26-19T		Self-closing			200pcs
360-U26-19T		Self-opening			
360-D26-19T85	85°	Soft close (5 levels)			100pcs
360-26-19T85		Free swinging			200pcs
360-C26-19T85		Self-closing			

CONCEALED HINGE WITH ADJUSTABLE SOFT-CLOSE



360-26/C26/D26/U26-14T/14T85

(14 mm overlay)



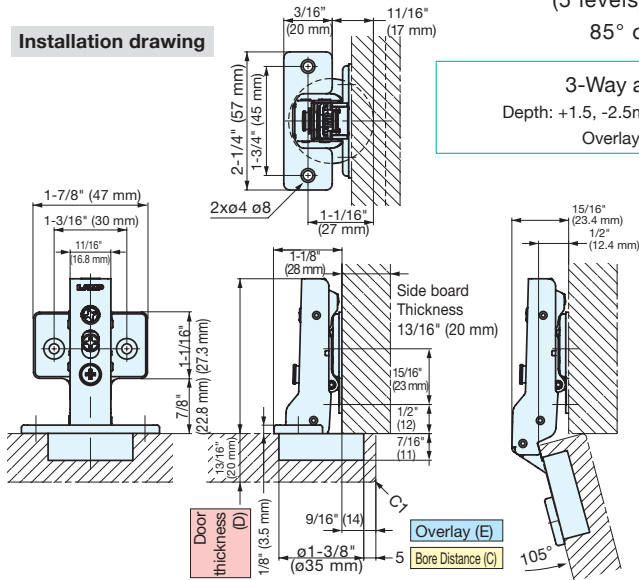
5-speed damper power adjustment lever

- Featuring 5-speed adjustable damper.
- Load capacity: 6 kg (13.2 lbs)/2 pcs, 10 kg (22 lbs)/3 pcs.
- Maximum door width: 600 mm (23-5/8").
- Maximum door thickness: 20mm (13/16")
- Clip on type for easy installation.
- 3-way adjustment with door installed.
- Mounting plate sold separately.
- Successfully passed 200,000 cycles test.

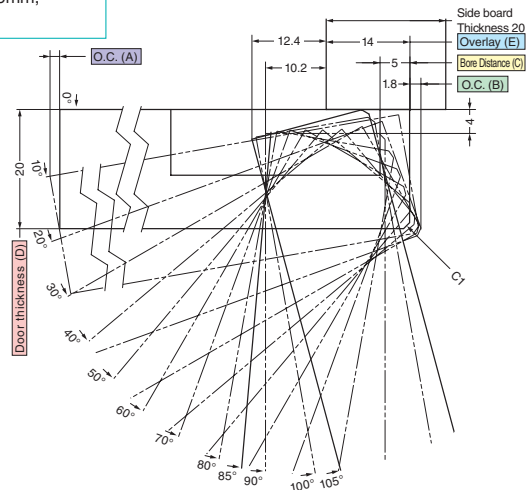
With damper function (5 levels), 105° and 85° opening



Installation drawing



Locus chart S=1/1



Drawings show a hinge, face plate and 360-P4W-30T mounting plate (sold separately).

Opening Clearance (O.C.)

Clearances for door edge O.C. (A) and hinge side O.C. (B) are necessary. O.C. (A) and (B) change depending on door thickness and bore distance (C). Refer to locus chart and tables below when designing cabinets.

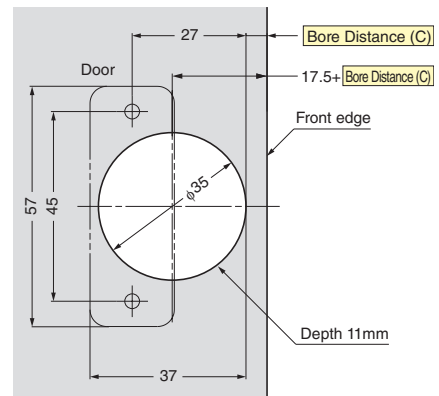
Opening clearance (B), door thickness (D) and bore distance (C) relationship

Door Thickness (D)	Bore Distance (C)		
	3	4	5
15	0.6	0.6	0.5
16	0.8	0.8	0.7
17	1.0	1.0	1.0
18	1.3	1.3	1.2
19	1.6	1.6	1.5
20	2	1.9	1.8
21*	2.4	2.3	2.2
22*	2.8	2.7	2.6
O.C. (B)			

* The table above shows O.C. (B) for C1 chamfering (chamfer plane).

* Please refer to the locus chart if door thickness is over 20mm. O.C. (B) can be made smaller by R chamfering (round chamfer) and C chamfering (chamfer plane) on the door.

Cut out dimensions (wooden doors)



Item name	Opening angle	Type	Material	Finish	Carton
360-D26-14T	105°	Soft close (5 levels)	Steel	Nickel	100pcs
360-26-14T		Free swinging			
360-C26-14T		Self-closing			
360-U26-14T	85°	Self-opening			200pcs
360-D26-14T85		Soft close (5 levels)			100pcs
360-26-14T85		Free swinging			200pcs
360-C26-14T85	Self-closing				

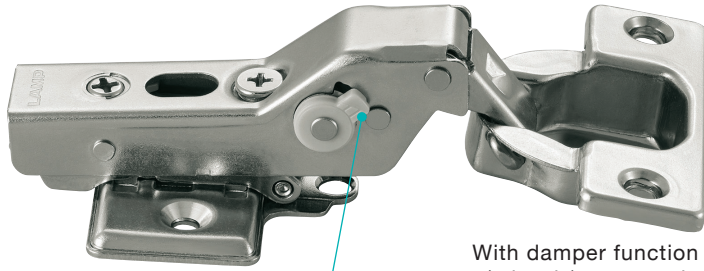


CONCEALED HINGE WITH ADJUSTABLE SOFT-CLOSE

360-26/C26/D26/U26-9T/9T85

HINGES

(9 mm overlay)



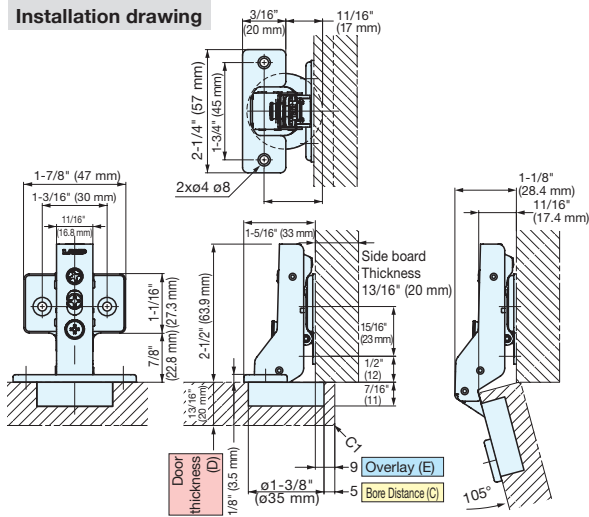
5-speed damper power adjustment lever

With damper function (5 levels), 105° and 85° opening

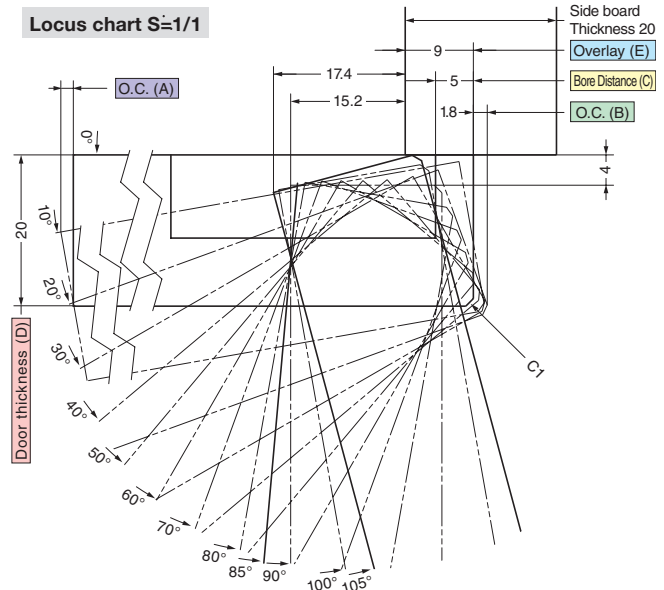
- Featuring 5-speed adjustable damper.
- Load capacity: 6 kg (13.2 lbs)/2 pcs, 10 kg (22 lbs)/3 pcs.
- Maximum door width: 600 mm (23-5/8").
- Maximum door thickness: 20mm (13/16")
- Clip on type for easy installation.
- 3-way adjustment with door installed.
- Mounting plate sold separately.
- Successfully passed 200,000 cycles test.



Installation drawing



Locus chart S=1/1



Drawings show a hinge, face plate and 360-P4W-30T mounting plate (sold separately).

Opening Clearance (O.C.)

Clearances for door edge O.C. (A) and hinge side O.C. (B) are necessary. O.C. (A) and (B) change depending on door thickness and bore distance (C). Refer to locus chart and tables below when designing cabinets.

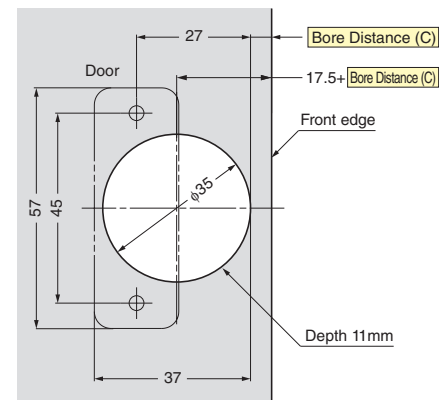
Opening clearance (B), door thickness (D) and bore distance (C) relationship

Door Thickness (D)	Bore Distance (C)		
	3	4	5
15	0.6	0.6	0.5
16	0.8	0.8	0.7
17	1.0	1.0	1.0
18	1.3	1.3	1.2
19	1.6	1.6	1.5
20	2	1.9	1.8
21*	2.4	2.3	2.2
22*	2.8	2.7	2.6
O.C. (B)			

* The table above shows O.C. (B) for C1 chamfering (chamfer plane).

* Please refer to the locus chart if door thickness is over 20mm. O.C. (B) can be made smaller by R chamfering (round chamfer) and C chamfering (chamfer plane) on the door.

Cut out dimensions (wooden doors)



Item name	Opening angle	Type	Material	Finish	Carton
360-D26-9T	105°	Soft close (5 levels)	Steel	Nickel	100pcs
360-26-9T		Free swinging			
360-C26-9T		Self-closing			200pcs
360-U26-9T		Self-opening			
360-D26-9T85	85°	Soft close (5 levels)			100pcs
360-26-9T85		Free swinging			200pcs
360-C26-9T85		Self-closing			

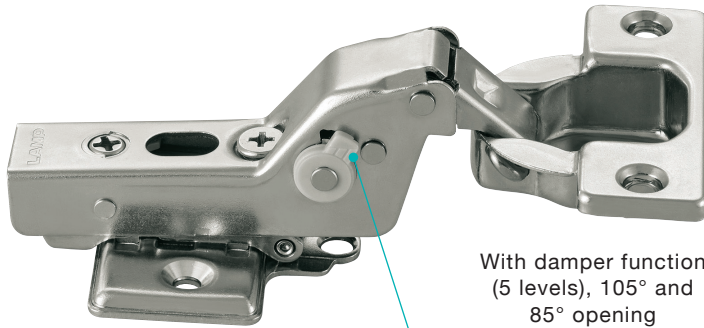
CONCEALED HINGE WITH ADJUSTABLE SOFT-CLOSE (9 MM OVERLAY)

CONCEALED HINGE WITH ADJUSTABLE SOFT-CLOSE



360-26/C26/D26/U26-OT

(Inset)



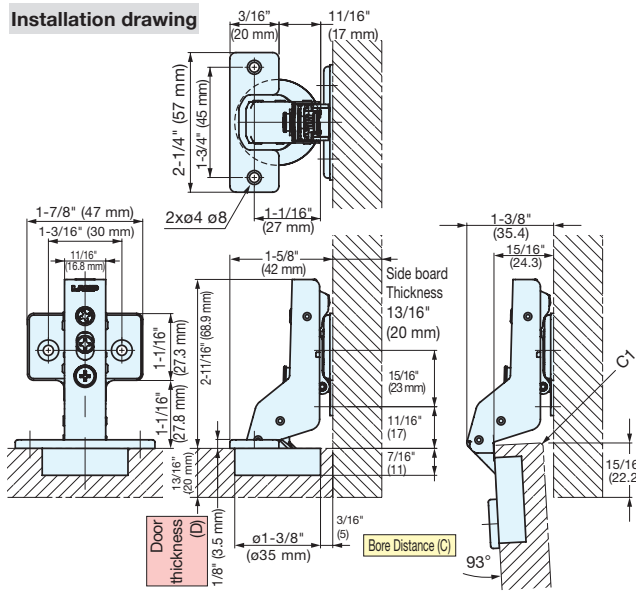
5-speed damper power adjustment lever

With damper function (5 levels), 105° and 85° opening

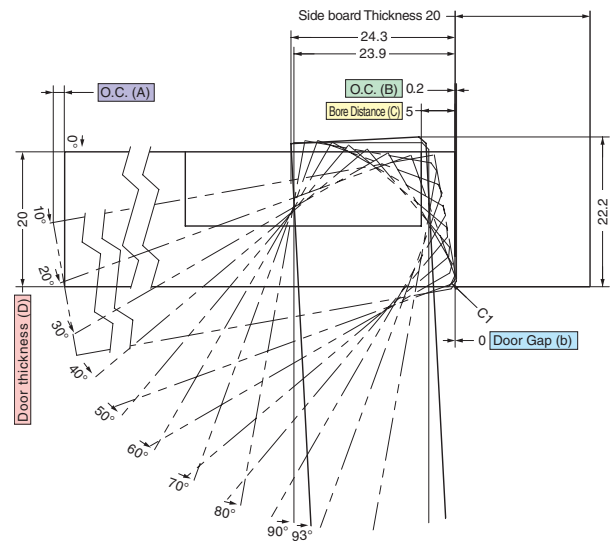
- Featuring 5-speed adjustable damper.
- Load capacity: 6 kg (13.2 lbs)/2 pcs, 10 kg (22 lbs)/3 pcs.
- Maximum door width: 600 mm (23-5/8").
- Maximum door thickness: 20mm (13/16")
- Clip on type for easy installation.
- 3-way adjustment with door installed.
- Mounting plate sold separately.
- Successfully passed 200,000 cycles test.



Installation drawing



Locus chart S=1/1



Drawings show a hinge, face plate and 360-P4W-30T mounting plate (sold separately).

Opening Clearance (O.C.)

Clearances for door edge O.C. (A) and hinge side O.C. (B) are necessary. O.C. (A) and (B) change depending on door thickness and bore distance (C). Refer to locus chart and tables below when designing cabinets.

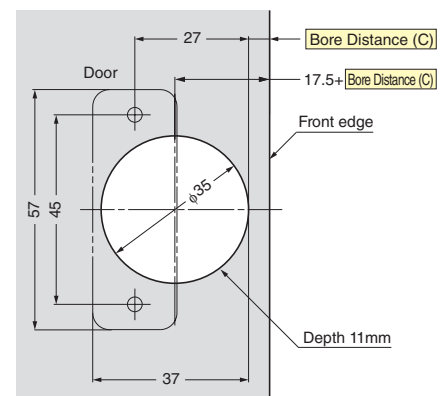
Opening clearance (B), door thickness (D) and bore distance (C) relationship

Door Thickness (D)	Bore Distance (C)		
	3	4	5
15	0	0	0
16	0	0	0
17	0	0	0
18	0	0	0
19	0.1	0.1	0.1
20	0.3	0.3	0.2
21*	0.5	0.4	0.4
22*	1.0	0.7	0.7
O.C. (B)			

* The table above shows O.C. (B) for C1 chamfering (chamfer plane).

* Please refer to the locus chart if door thickness is over 20mm. O.C. (B) can be made smaller by R chamfering (round chamfer) and C chamfering (chamfer plane) on the door.

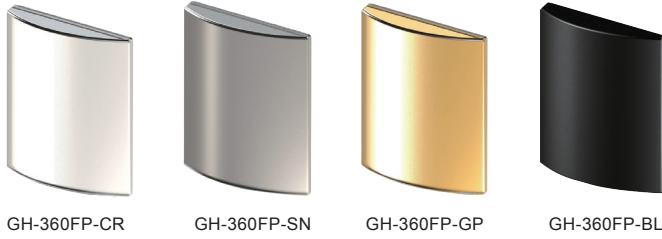
Cut out dimensions (wooden doors)



Item name	Opening angle	Type	Material	Finish	Carton
360-D26-OT	93°	Soft close (5 levels)	Steel	Nickel	100pcs
360-26-OT		Free swinging			
360-C26-OT		Self-closing			200pcs
360-U26-OT		Self-opening			

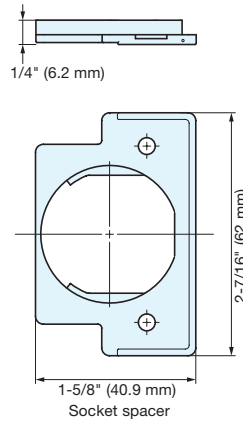
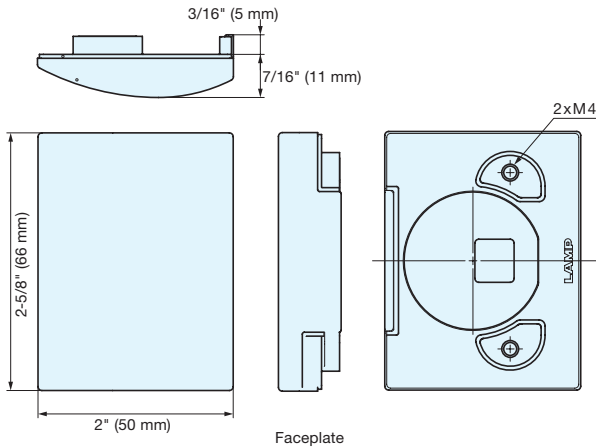
GLASS DOOR FACE PLATE for Olympia Hinge

GH-360FP



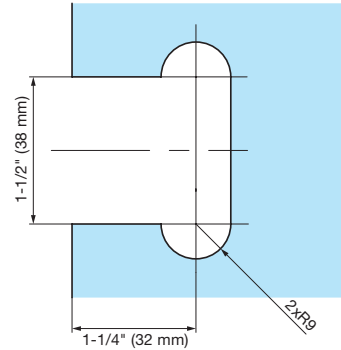
- Glass door face plate designed specifically for the Olympia hinge. (Not suitable for the H360 hinge).
- For tempered glass doors.

Item No.	Finish / Color	Material
GH-360FP-CR	Chrome Plating	Zinc Alloy (ZDC) Polyacetal (POM)
GH-360FP-SN	Satin Nickel	
GH-360FP-GP	24K Gold Plating	
GH-360FP-BL	Black	



Cut Out Dimensions

- Please use 3/16"-1/4" (4-6mm) tempered glass.
- Use of shatterproof film is recommended.

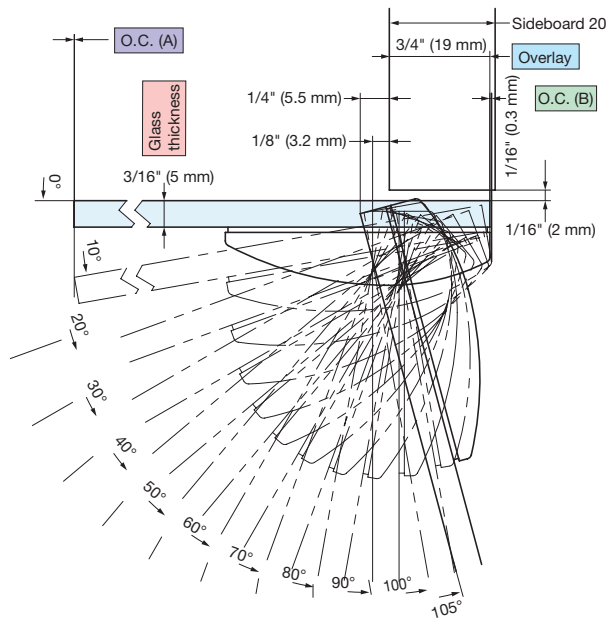


Side board and face plate relationship

► For a 3/16" (5 mm) door, 13/16" (20 mm) sideboard and 3/4" (19 mm) overlay.

► For a 3/16" (5 mm) door, 13/16" (20 mm) sideboard and inset installation.

Locus chart S=7/10 Overlay (3/4" (19 mm))



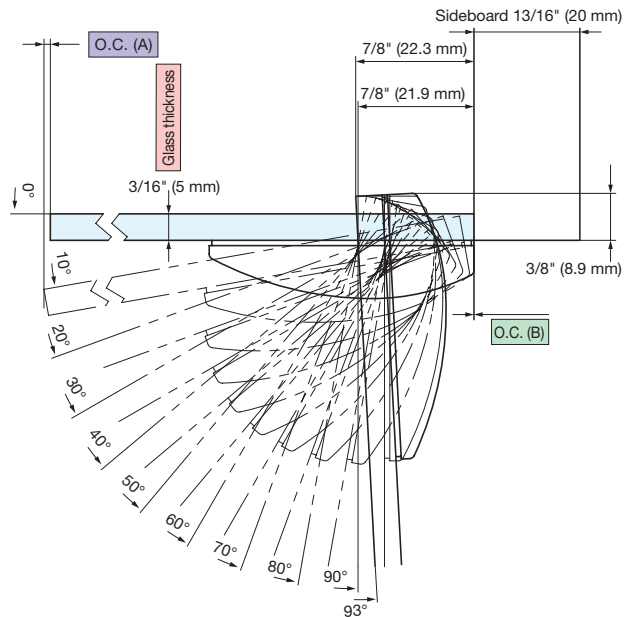
Opening clearance (O.C.)

Glass thickness	3/16" (4 mm)	3/16" (5 mm)	1/4" (6 mm)
O.C. (B)	0.2	0.3	0.5

Opening clearance (A) and door width relationship (for 3/16" (5mm) door)

Glass width	11-13/16" (300 mm)	15-3/4" (400 mm)	19-11/16" (500 mm)	23-5/8" (600 mm)
O.C. (A)	0.07	0.05	0.04	0.03

Locus chart S=7/10 Inset



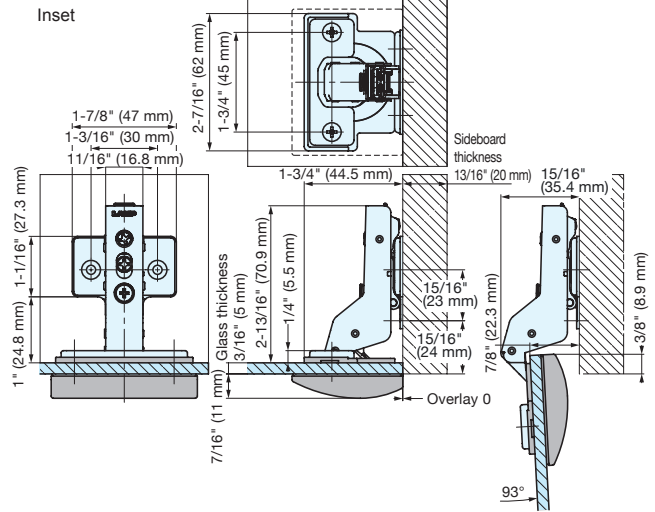
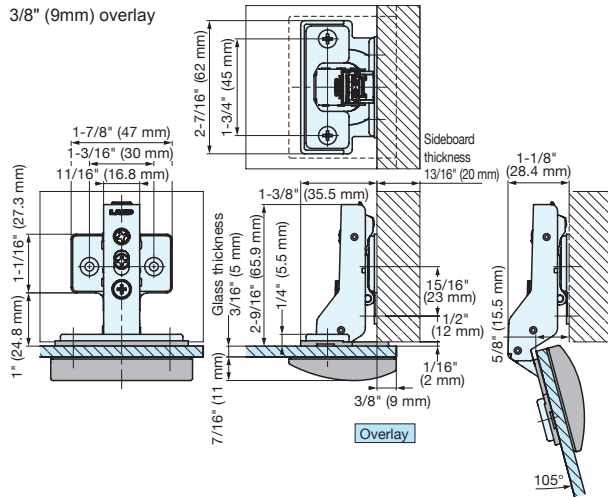
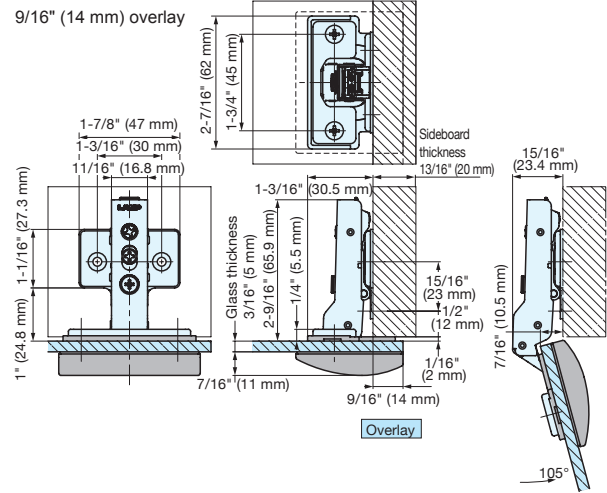
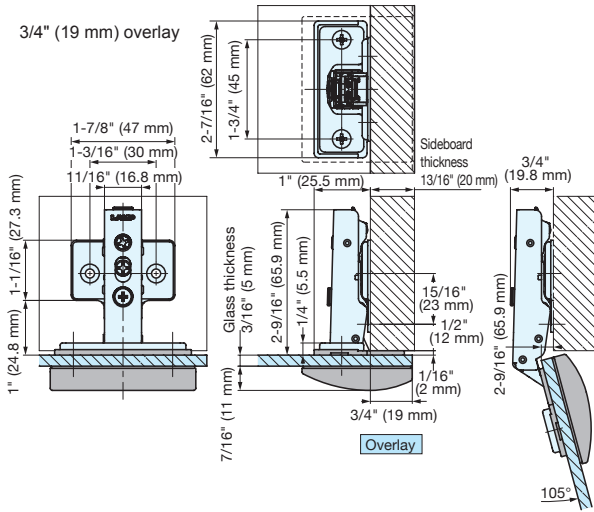
Opening clearance (O.C.)

Glass thickness	3/16" (4 mm)	3/16" (5 mm)	1/4" (6 mm)
O.C. (B)	0	0	0

Opening clearance (A) and door width relationship (for 3/16" (5mm) door)

Glass width	11-13/16" (300 mm)	15-3/4" (400 mm)	19-11/16" (500 mm)	23-5/8" (600 mm)
O.C. (A)	0.34	0.25	0.19	0.16

Installation drawing



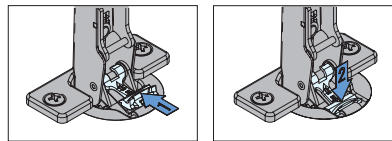
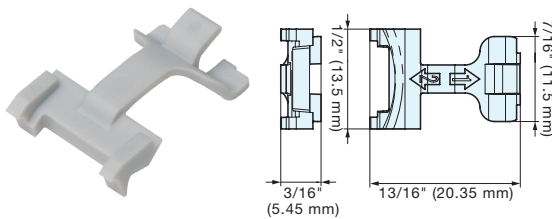
Drawings show a hinge, face plate and 360-P4W-30T mounting plate (sold separately).

HINGES

GLASS DOOR FACE PLATE

85° ANGLE LIMITER

360-85



• Can be retrofitted to a 105° opening Olympia hinge (standard door) to limit the opening angle to 85°.

INSTALLATION JIG

360-JIG

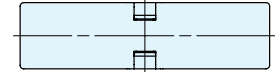
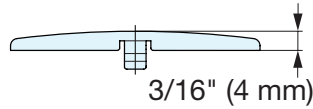
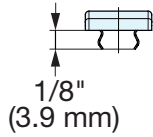
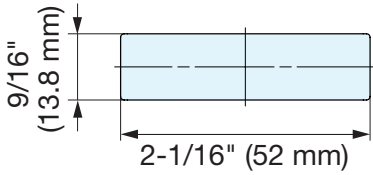


• For easy installation and alignment of the Olympia hinge mounting plate.
• Cannot be used in combination with 360-P6W32-32T and pre-mounted screw mounting plates.



BODY COVER (19 and 26 mm OVERLAY)
360HC-19H26-NI

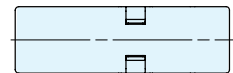
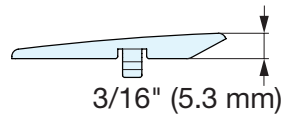
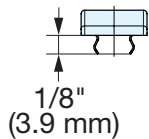
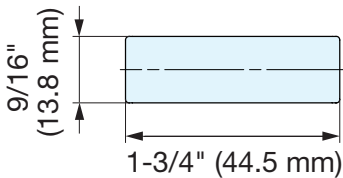

- Hides screws for a sleek look.
- Available Hinge
360 (19 mm overlay type)
H360 (26 mm overlay type)



Item No.	Material	Finish	Weight (g)
360HC-19H26-NI	Steel	Nickel Plating	2.6

BODY COVER (9 and 16 mm OVERLAY)
360HC-9H16-NI

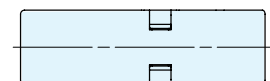
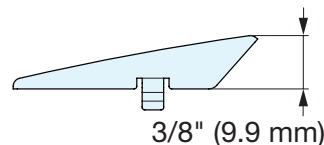
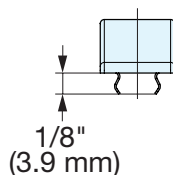
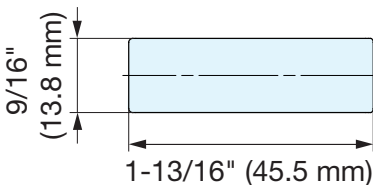

- Hides screws for a sleek look.
- Available Hinge
360 (9 mm overlay type)
H360 (16 mm overlay type)



Item No.	Material	Finish	Weight (g)
360HC-9H16-NI	Steel	Nickel Plating	2.2

BODY COVER (INSET)
360HC-0H0-NI


- Hides screws for a sleek look.



Item No.	Material	Finish	Weight (g)
360HC-0H0-NI	Steel	Nickel Plating	2.7

HINGE QUANTITY (Recommended)

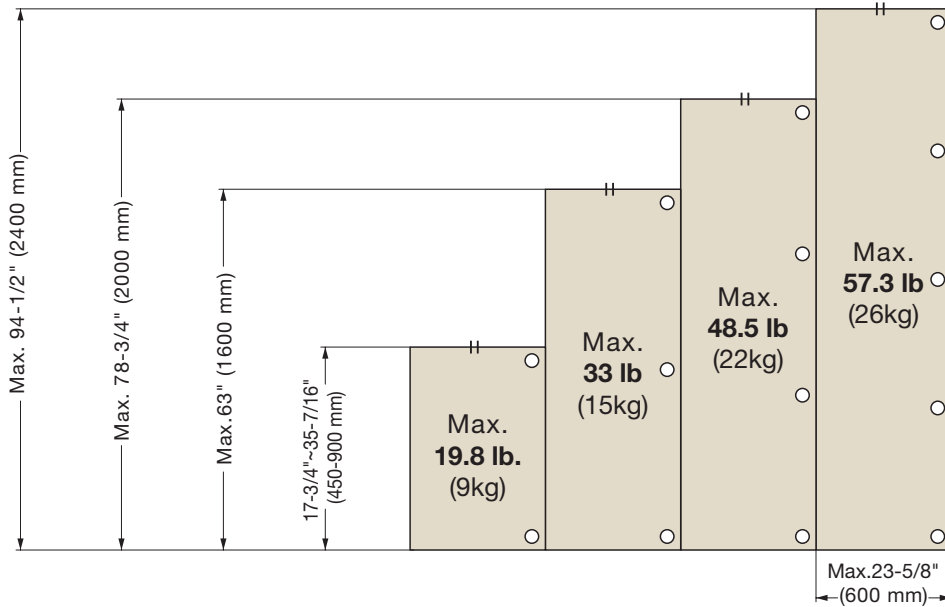
H360 THICK DOOR HINGES



HINGES

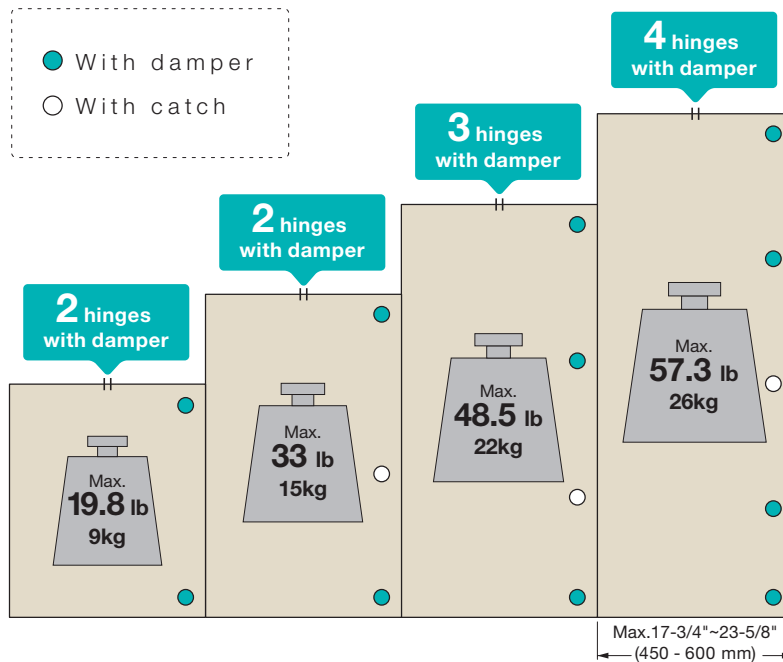
THICK DOOR CONCEALED HINGE WITH ADJUSTABLE SOFT-CLOSE

■ Thick wood doors H360



Door width	Door thickness	Material density	Installation pitch
Max. 23-5/8" (600 mm)	Max. 1-3/16" (30 mm)	Max. 0.6 mm	Min. 11-13/16" (300 mm)

RECOMMENDED TYPE OF DAMPER PER INSTALLATION



• Please set the door center of gravity as the door center. • If you want to increase the door width, please increase the number of hinges accordingly. • Attach the upper and lower hinges within 100 mm from the edge of the door. When using three or more, install at regular intervals. • Figures shown in the tables above are only indicative. Please always test before finalizing your design. • Please contact us for any other configuration. • The dimensions of the door and the number of hinges mounted are the results of tests made according to the JIS standard. • All screw holes should be used.

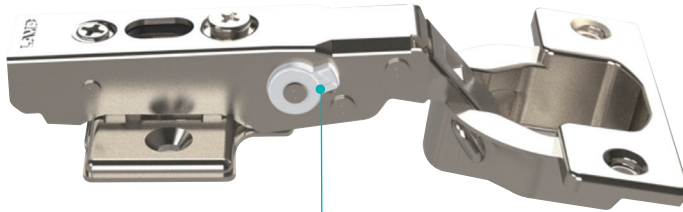
THICK DOOR CONCEALED HINGE WITH ADJUSTABLE SOFT-CLOSE



H360-26/C26/D26-26T

HINGES

(26 mm overlay)



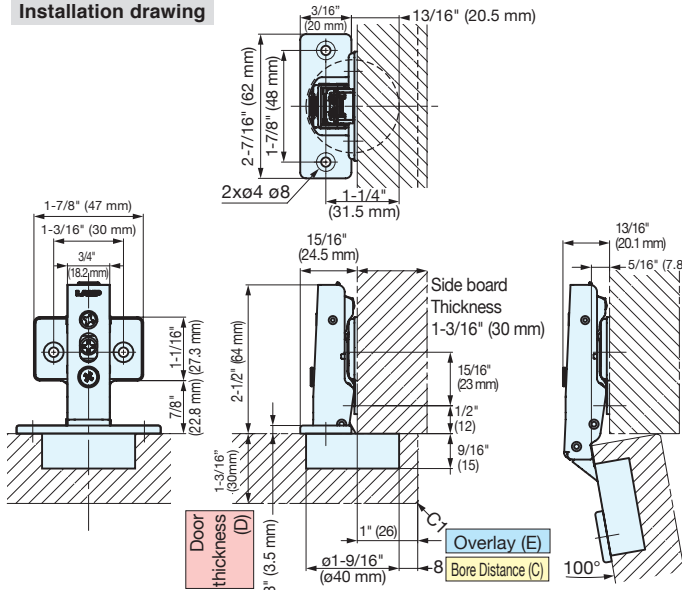
5-speed damper power adjustment lever

FOR THICK DOORS,
With damper function
(5 levels), 100° opening

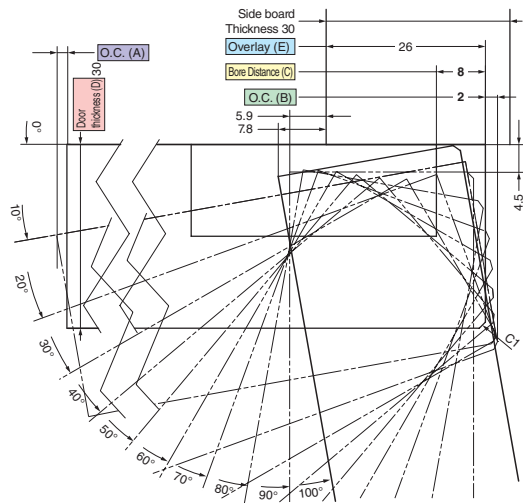
- Featuring 5-speed adjustable damper.
- Load capacity: 9 kg (19.8 lbs)/2 pcs, 15 kg (33 lbs)/3 pcs.
- Maximum door width: 600 mm (23-5/8").
- Maximum door thickness: 30 mm (1-3/16")
- Clip on type for easy installation.
- 3-way adjustment with door installed.
- Mounting plate sold separately.
- Successfully passed 200,000 cycles test.



Installation drawing



Locus chart S=1/1



Drawings show a hinge, face plate and 360-P4W-30T mounting plate (sold separately).

Opening Clearance (O.C.)

Clearances for door edge O.C. (A) and hinge side O.C. (B) are necessary. O.C. (A) and (B) change depending on door thickness and bore distance (C). Refer to locus chart and tables below when designing cabinets.

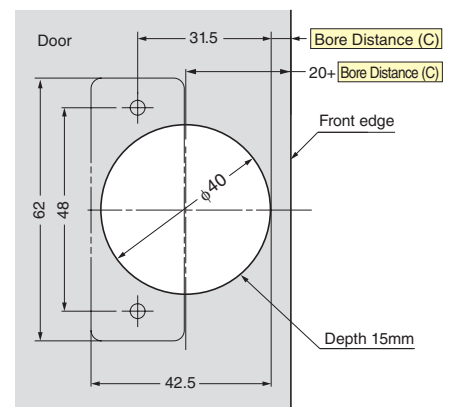
Opening clearance (B), door thickness (D) and bore distance (C) relationship

Door Thickness (D)	Bore Distance (C)						
	3	4	5	6	7	8	
18	0.1	0.1	0.1	0.1	0.1	0.1	
20	0.3	0.3	0.3	0.3	0.3	0.3	
22	0.5	0.5	0.5	0.5	0.5	0.5	
24	0.8	0.8	0.8	0.8	0.8	0.8	
26	1.3	1.2	1.2	1.1	1.1	1.1	
28	3.6	2.6	1.6	1.6	1.5	1.5	
30	6.0	5.0	4.0	3.0	2.1	2.0	
32*	8.4	7.4	6.4	5.4	4.4	3.4	
34*	10.8	9.8	8.8	7.8	6.8	5.8	
O.C. (B)							

* The table above shows O.C. (B) for C1 chamfering (chamfer plane).

* Please refer to the locus chart if door thickness is over 30mm. O.C. (B) can be made smaller by R chamfering (round chamfer) and C chamfering (chamfer plane) on the door.

Cut out dimensions (wooden doors)



THICK DOOR CONCEALED HINGE WITH ADJUSTABLE SOFT-CLOSE (26 MM OVERLAY)

Item name	Opening angle	Type	Material	Finish	Carton
H360-D26-26T	100°	Soft close (5 levels)	Steel	Nickel	100pcs
H360-26-26T		Free swinging			
H360-C26-26T		Self-closing			

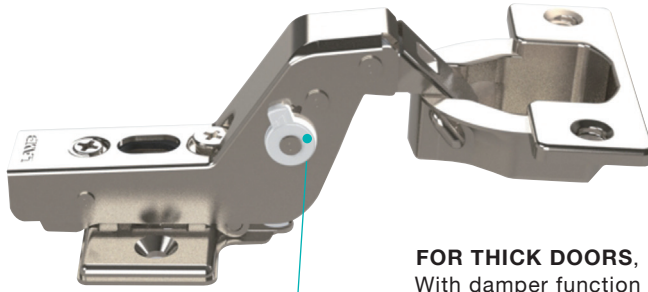
THICK DOOR CONCEALED HINGE WITH ADJUSTABLE SOFT-CLOSE



H360-26/C26/D26

HINGES

(Inset)



5-speed damper power adjustment lever

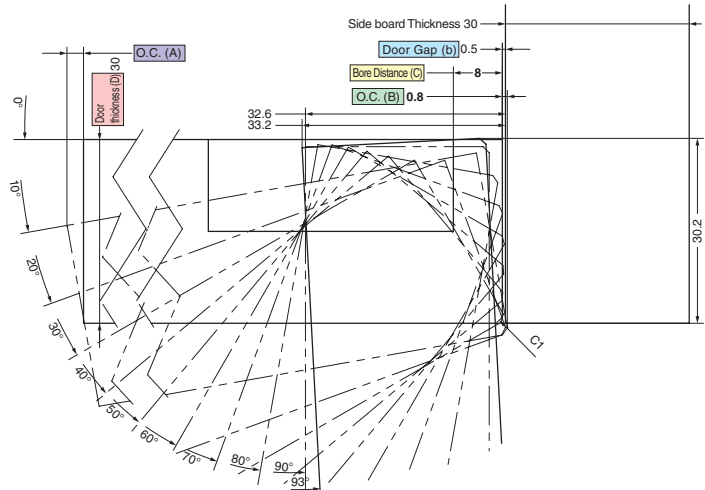
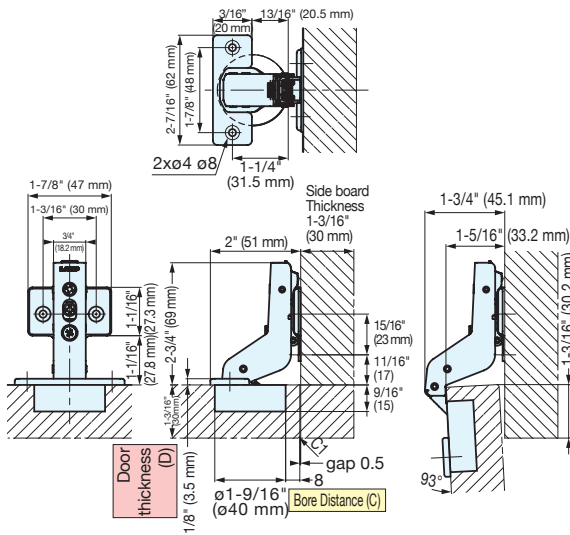
FOR THICK DOORS,
With damper function
(5 levels), 100° opening

- Featuring 5-speed adjustable damper.
- Load capacity: 9 kg (19.8 lbs)/2 pcs, 15 kg (33 lbs)/3 pcs.
- Maximum door width: 600 mm (23-5/8").
- Maximum door thickness: 30 mm (1-3/16")
- Clip on type for easy installation.
- 3-way adjustment with door installed.
- Mounting plate sold separately.
- Successfully passed 200,000 cycles test.



Installation drawing

Locus chart S=1/1



Drawings show a hinge, face plate and 360-P4W-30T mounting plate (sold separately).

Opening Clearance (O.C.)

Clearances for door edge O.C. (A) and hinge side O.C. (B) are necessary. O.C. (A) and (B) change depending on door thickness and bore distance (C). Refer to locus chart and tables below when designing cabinets.

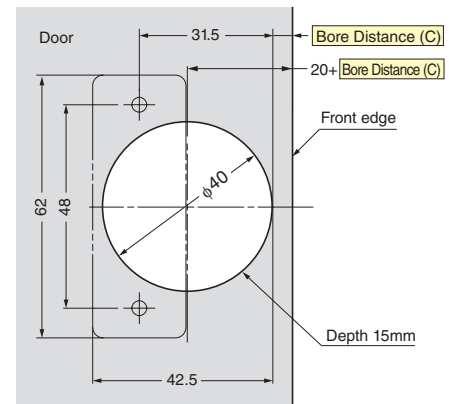
Opening clearance (B), door thickness (D) and bore distance (C) relationship

Door Thickness (D)	Bore Distance (C)						
	3	4	5	6	7	8	
18	0	0	0	0	0	0	
20	0	0	0	0	0	0	
22	0	0	0	0	0	0	
24	0.1	0.1	0.1	0.1	0.1	0.1	
26	0.3	0.3	0.3	0.3	0.3	0.3	
28	1.7	0.7	0.5	0.5	0.5	0.5	
30	3.9	2.9	2.0	1.4	0.8	0.8	
32*	5.9	4.9	3.9	3.3	2.6	2.1	
34*	8.1	7.1	6.1	5.1	4.5	3.9	

O.C. (B)

* The table above shows O.C. (B) for C1 chamfering (chamfer plane).
* Please refer to the locus chart if door thickness is over 30mm. O.C. (B) can be made smaller by R chamfering (round chamfer) and C chamfering (chamfer plane) on the door.

Cut out dimensions (wooden doors)



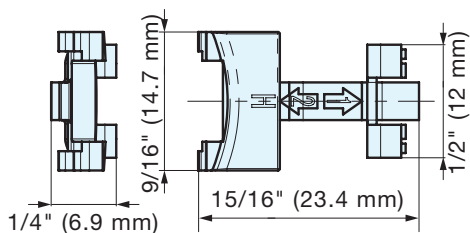
THICK DOOR CONCEALED HINGE WITH ADJUSTABLE SOFT-CLOSE (INSET)

Item name	Opening angle	Type	Material	Finish	Carton
H360-D26-0T	93°	Soft close (5 levels)	Steel	Nickel	100pcs
H360-26-0T		Free swinging			
H360-C26-0T		Self-closing			

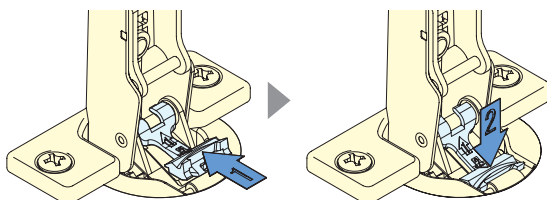


85° ANGLE LIMITER (THICK DOOR)

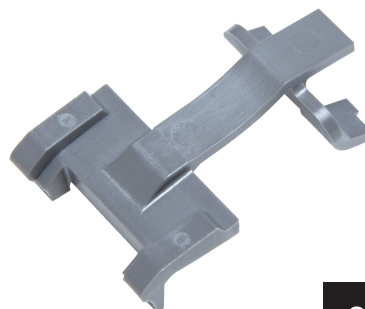
H360-85



[How to Use]



- Limits the opening angle from 100° to 85° of the H360 hinge. (The H360 is a thick door model of OLYMPIA hinge series.)



Item No.	Material	Color
H360-85	PBT	Grey

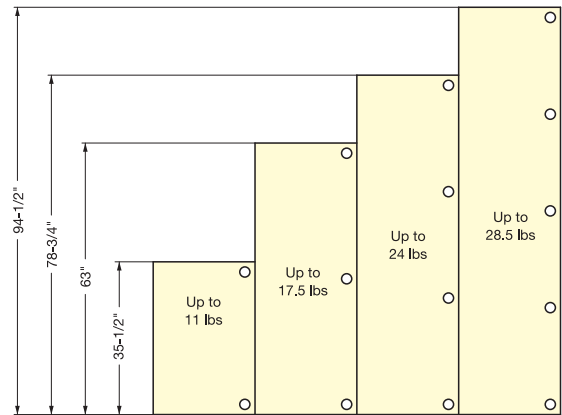


CONCEALED HINGE REFERENCE GUIDE

304B Series Stainless Steel Hinges

- Please be sure to confirm door weight in advance, and be sure that the door weight is centered.
- Hinges should be installed within 4" of the top and bottom edges of the door. If using 3 or more hinges, please refer to the installation guide (below).
- Please lubricate after installation and on a regular basis from then on.
- Please install at least 300 mm (12") apart.

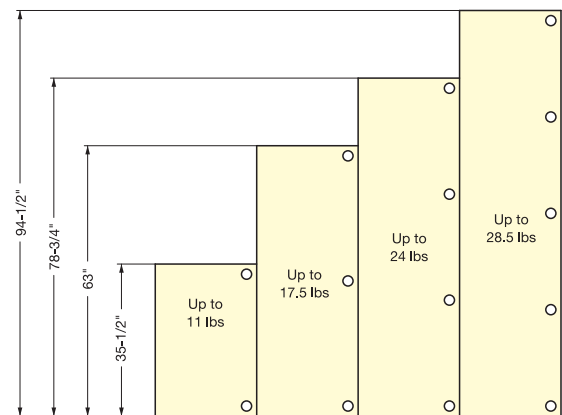
Maximum Door Specifications	
Width	Thickness
17-3/4" (450 mm)	3/4" (20 mm)



230 Series Steel Hinges

- Please be sure to confirm door weight in advance, and be sure that the door weight is centered.
- Hinges should be installed within 4" of the top and bottom edges of the door. If using 3 or more hinges, please refer to the installation guide (below).
- Please lubricate after installation and on a regular basis from then on.
- Please install at least 300 mm (12") apart.

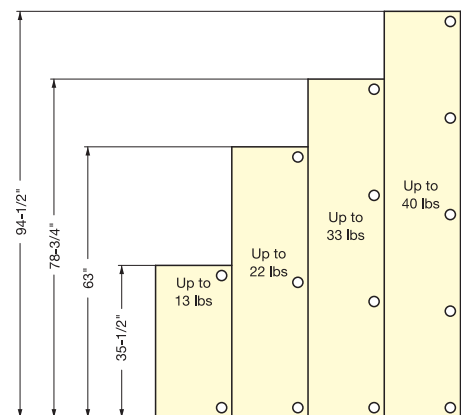
Maximum Door Specifications	
Width	Thickness
24" (600 mm)	7/8" (22 mm)



H230 Series Steel Hinges

- Please be sure to confirm door weight in advance, and be sure that the door weight is centered.
- Hinges should be installed within 4" of the top and bottom edges of the door. If using 3 or more hinges, please refer to the installation guide (below).
- Please lubricate after installation and on a regular basis from then on.
- Please install at least 300 mm (12") apart.

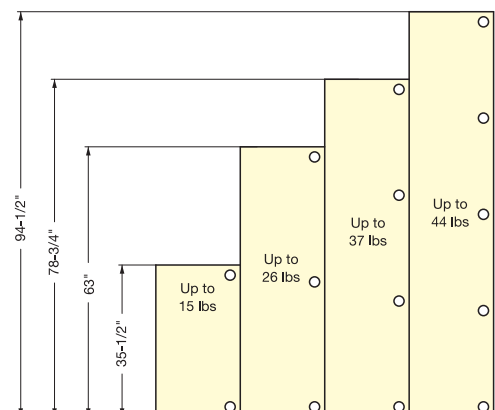
Maximum Door Specifications	
Width	Thickness
24" (600 mm)	1-11/32" (34 mm)



H160 Series Steel Hinges

- Please be sure to confirm door weight in advance, and be sure that the door weight is centered.
- Hinges should be installed within 4" of the top and bottom edges of the door. If using 3 or more hinges, please refer to the installation guide (below).
- Please lubricate after installation and on a regular basis from then on.
- Please install at least 300 mm (12") apart.

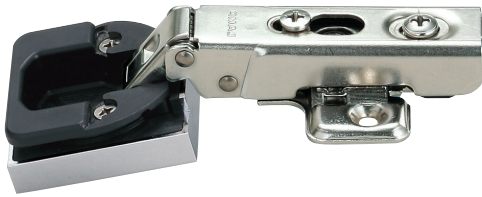
Maximum Door Specifications	
Width	Thickness
19-11/16" (500 mm)	1-9/16" (40 mm)



GLASS DOOR CONCEALED HINGE (19mm OVERLAY)



G230-32/19T, C32/19T



■ Door edge to bore edge distance (C) and Overlay distance (B) Table 1.

Door edge to bore edge distance (C)	5
Overlay distance (B)	19

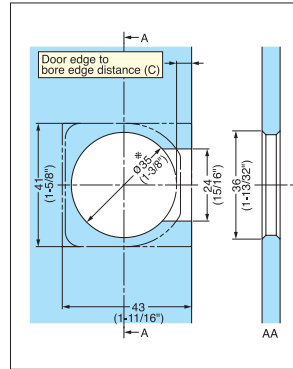
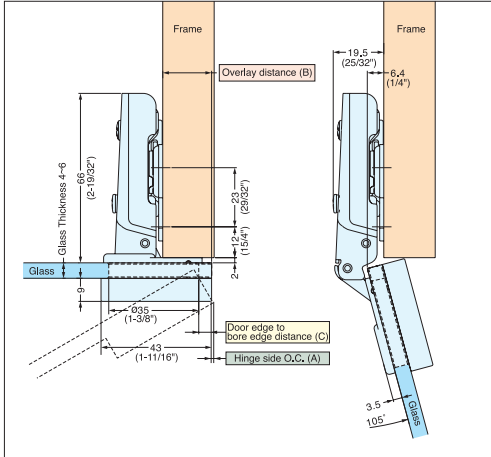
■ Hinge side opening clearance chart Table 2.

Door thickness (D)	Hinge side O.C. (A)
4	0.8
5	1.1
6	1.3

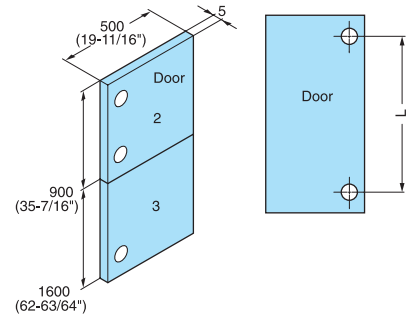
*Mounting Plate sold separately. See P.299

*Mounting Screw sold separately. See TAP3515NI on P.299

*Face Cover sold separately. See P.295



Bore Dimensions



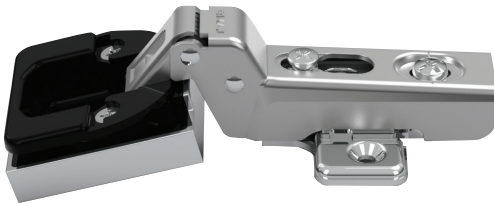
Item No.	Type	Weight (g)	Carton (pcs)
G230-32/19T	Free Swinging	60	200
G230-C32/19T	Self-Closing		

Part Name	Material
Body	Steel
Cup	Polyamide

GLASS DOOR CONCEALED HINGE (9mm OVERLAY)



G230-32/9T, C32/9T



■ Door edge to bore edge distance (C) and Overlay distance (B) Table 1.

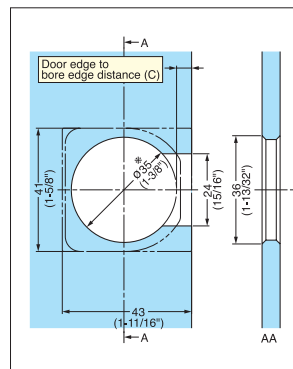
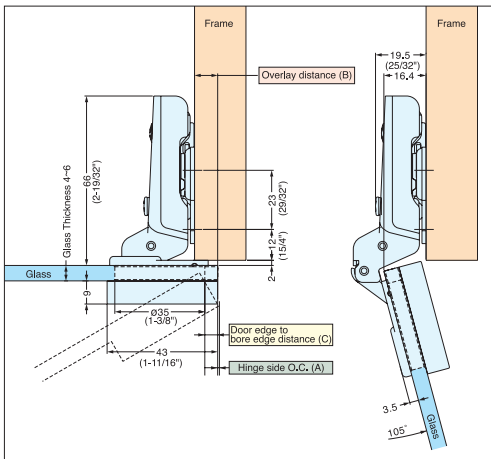
Door edge to bore edge distance (C)	5
Overlay distance (B)	9

■ Hinge side opening clearance chart Table 2.

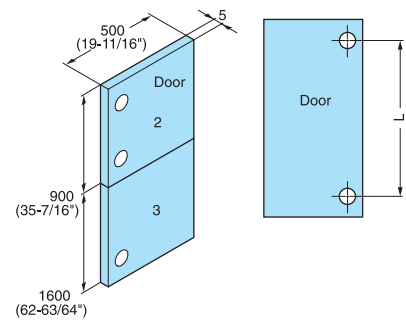
Door thickness (D)	Hinge side O.C. (A)
4	0.8
5	1.1
6	1.3

*Mounting Plate sold separately. See P.299

*Face Cover sold separately. See P.295



Bore Dimensions



Item No.	Type	Weight (g)	Carton (pcs)
G230-32/9T	Free Swinging	60	200
G230-C32/9T	Self-Closing		

Part Name	Material
Body	Steel
Cup	Polyamide

GLASS DOOR CONCEALED HINGE (INSET)



G230-32/0T, C32/0T



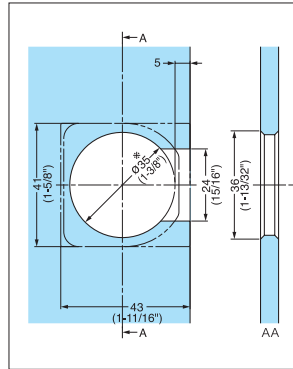
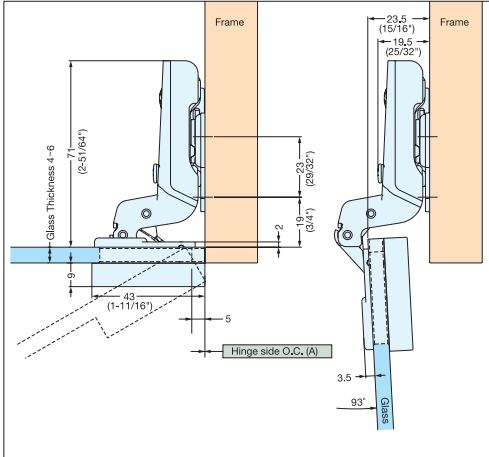
■ Hinge side opening clearance chart

Door thickness (D)	Hinge side O.C. (A)
4	0.00
5	0.03
6	0.09

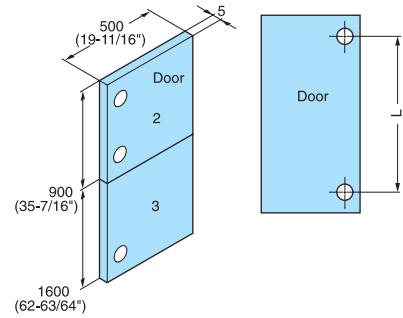
*Mounting Plate sold separately. See P.303

*Mounting Screw sold separately. See TAP3515NI on P.303

*Face Cover sold separately. See P.295



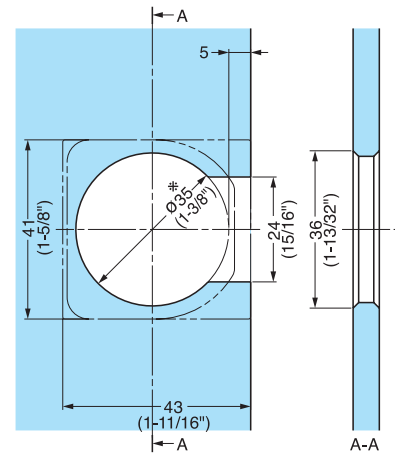
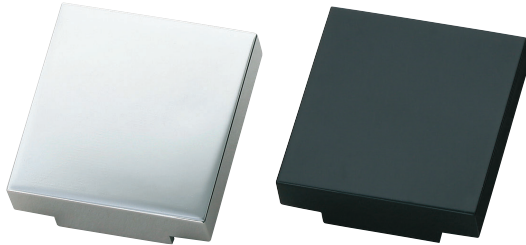
Bore Dimensions



Item No.	Type	Weight (g)	Carton (pcs)	Part Name	Material
G230-32/0T	Free Swinging	60	200	Body	Steel
G230-C32/0T	Self-Closing			Cup	Polyamide

FACE COVER

G230-FP

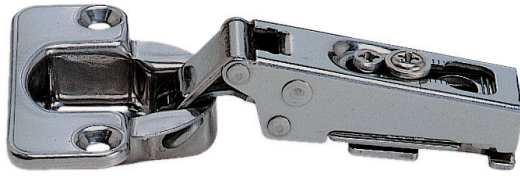


Item No.	Weight (g)	Box (pcs)	Carton (pcs)	Material	Finish
G230-FP/CR	5	20	200	ABS	Chorme (CR) or Black (BL)
G230-FP/BL					

CONCEALED HINGE (19mm OVERLAY)



304B-46/19, C46/19



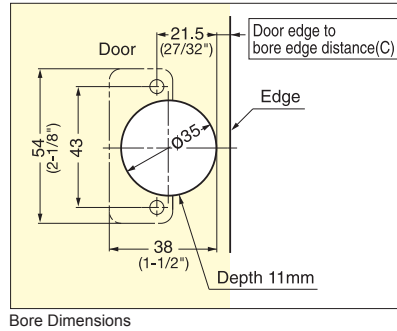
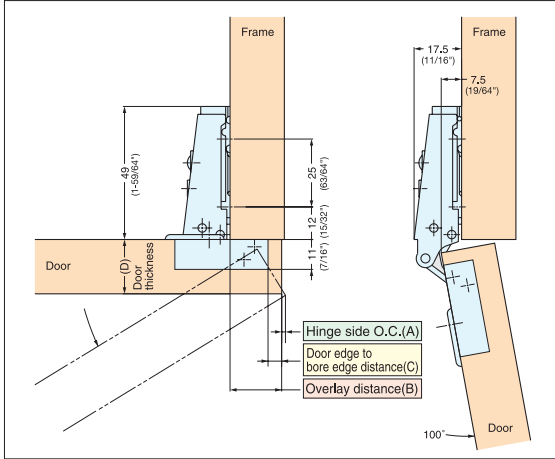
■ Door edge to bore edge distance (C) and Overlay distance (B) Table 1.

Door edge to bore edge distance (C)	3	4	5
Overlay distance (B)	17	18	19

■ Hinge side opening clearance chart Table 2.

Door thickness (D)	Door edge to bore edge distance (C)		
	3	4	5
15	0.5	0.5	0.5
16	0.7	0.7	0.7
17	0.8	0.8	0.8
18	1.0	1.0	1.0
19	1.2	1.2	1.2
20	1.4	1.4	1.4
Hinge side O.C. (A)			

*Mounting Plate sold separately. See P.297



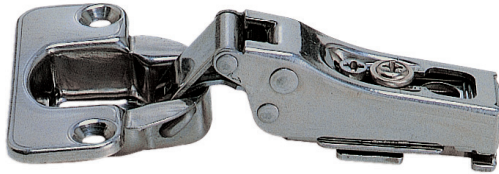
Item No.	Type	Weight (g)	Carton (pcs)
304B-46/19	Free Swinging	60	200
304B-C46/19	Self-Closing		

Material	Finish
304 Stainless Steel	Polished

CONCEALED HINGE (14mm OVERLAY)



304B-46/14, C46/14



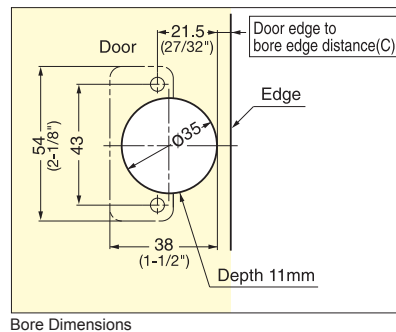
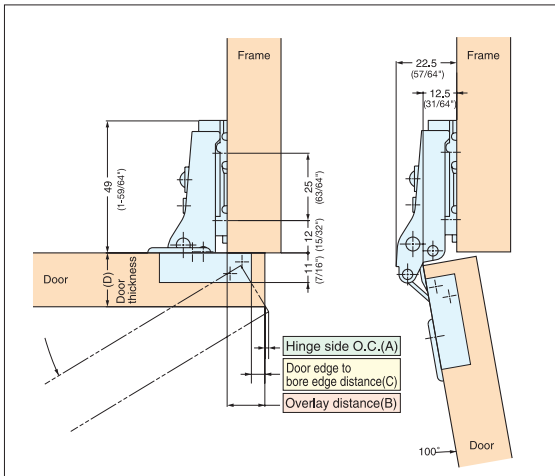
■ Door edge to bore edge distance (C) and Overlay distance (B) Table 1.

Door edge to bore edge distance (C)	3	4	5
Overlay distance (B)	12	13	14

■ Hinge side opening clearance chart Table 2.

Door thickness (D)	Door edge to bore edge distance (C)		
	3	4	5
15	0.5	0.5	0.5
16	0.7	0.7	0.7
17	0.8	0.8	0.8
18	1.0	1.0	1.0
19	1.2	1.2	1.2
20	1.4	1.4	1.4
Hinge side O.C. (A)			

*Mounting Plate sold separately. See P.297



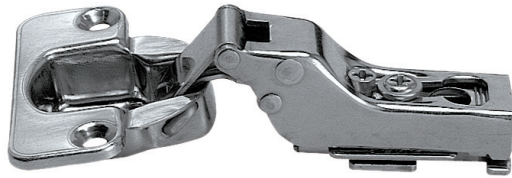
Item No.	Type	Weight (g)	Carton (pcs)
304B-46/14	Free Swinging	60	200
304B-C46/14	Self-Closing		

Material	Finish
304 Stainless Steel	Polished

CONCEALED HINGE (9mm OVERLAY)



304B-46/9, C46/9



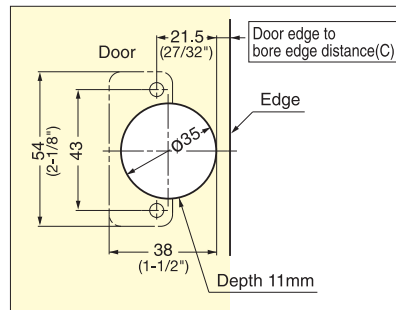
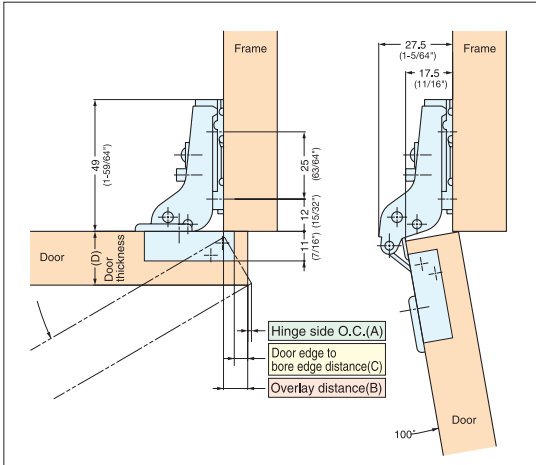
■ Door edge to bore edge distance (C) and Overlay distance (B) Table 1.

Door edge to bore edge distance (C)	3	4	5
Overlay distance (B)	7	8	9

■ Hinge side opening clearance chart Table 2.

Door thickness (D)	Door edge to bore edge distance (C)		
	3	4	5
15	0.5	0.5	0.5
16	0.7	0.7	0.7
17	0.8	0.8	0.8
18	1.0	1.0	1.0
19	1.2	1.2	1.2
20	1.4	1.4	1.4
Hinge side O.C. (A)			

*Mounting Plate sold separately. See P.297



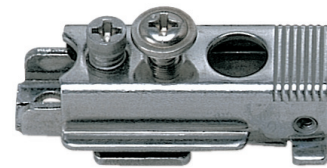
Bore Dimensions

Item No.	Type	Weight (g)	Carton (pcs)	Material	Finish
304B-46/9	Free Swinging	60	200	304 Stainless Steel	Polished
304B-C46/9	Self-Closing				

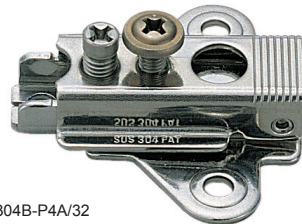
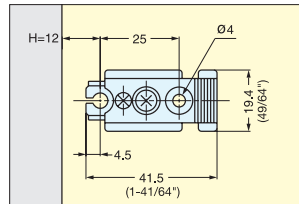
MOUNTING PLATE FOR 304B SERIES HINGES



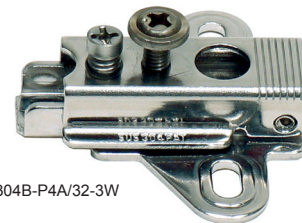
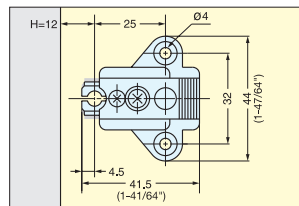
• Mounting plate for 304B hinges.



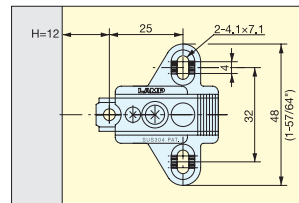
304B-P3A



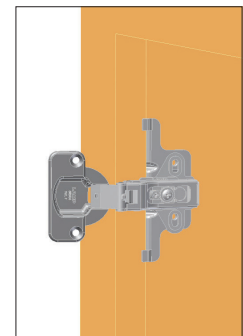
304B-P4A/32



304B-P4A/32-3W



Installation



Face Frame Bracket for 304B-P4A/32 and 304B-P4A/32-3W. See P.344 (Sold separately)

Item No.	Weight (g)	Carton (pcs)	Material	Finish
304B-P3A	40	400	304 Stainless Steel	Polished
304B-P4A/32				
304B-P4A/32-3W				

CONCEALED HINGE (19mm OVERLAY)



230-26/19T, C26/19T



■ Door edge to bore edge distance (C) and Overlay distance (B) Table 1.

Door edge to bore edge distance (C)	3	4	5
Overlay distance (B)	17	18	19

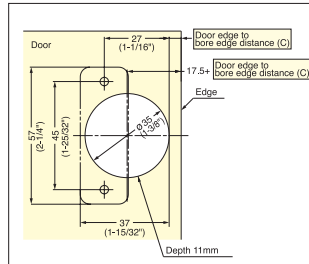
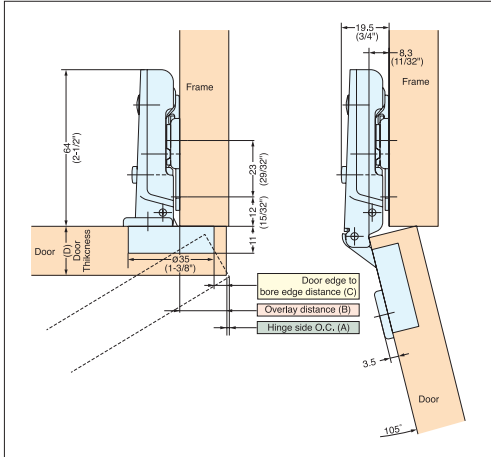
■ Hinge side opening clearance chart Table 2.

Door thickness (D)	Door edge to bore edge distance (C)		
	3	4	5
15	1.0	0.9	0.9
16	1.2	1.2	1.1
17	1.5	1.5	1.4
18	1.8	1.8	1.7
19	2.2	2.1	2.0
20	2.6	2.5	2.4
21	3.0	2.9	2.8
22	3.4	3.3	3.2

Hinge side O.C. (A)

*Mounting Plate sold separately. See P.299

*Mounting Screw sold separately. See TAP3515NI on P.299



Bore Dimensions

Item No.	Type	Weight (g)	Carton (pcs)
230-26/19T	Free Swinging	60	200
230-C26/19T	Self-Closing		

Material	Finish
Steel	Nickel

CONCEALED HINGE (9mm OVERLAY)



230-26/9T, C26/9T



■ Door edge to bore edge distance (C) and Overlay distance (B) Table 1.

Door edge to bore edge distance (C)	3	4	5
Overlay distance (B)	7	8	9

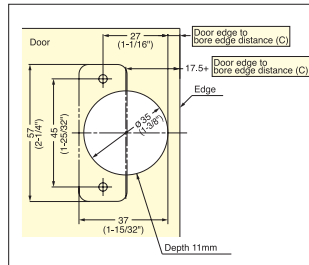
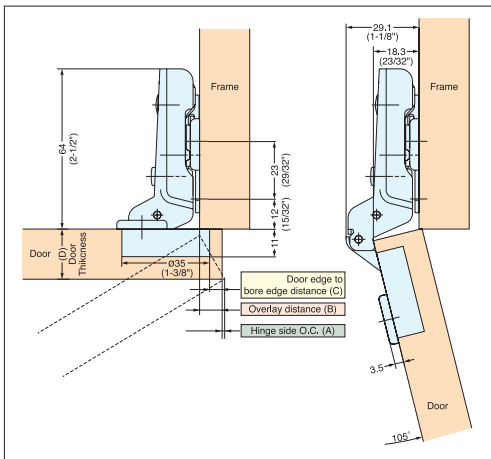
■ Hinge side opening clearance chart Table 2.

Door thickness (D)	Door edge to bore edge distance (C)		
	3	4	5
15	1.0	0.9	0.9
16	1.2	1.2	1.1
17	1.5	1.5	1.4
18	1.8	1.8	1.7
19	2.2	2.1	2.0
20	2.6	2.5	2.4
21	3.0	2.9	2.8
22	3.4	3.3	3.2

Hinge side O.C. (A)

*Mounting Plate sold separately. See P.299

*Mounting Screw sold separately. See TAP3515NI on P.299



Bore Dimensions

Item No.	Type	Weight (g)	Carton (pcs)
230-26/9T	Free Swinging	60	200
230-C26/9T	Self-Closing		

Material	Finish
Steel	Nickel

CONCEALED HINGE (INSET)



230-26/0T, C26/0T

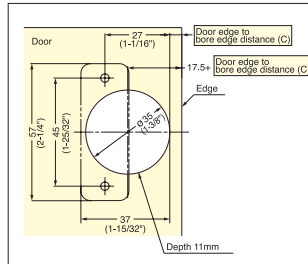
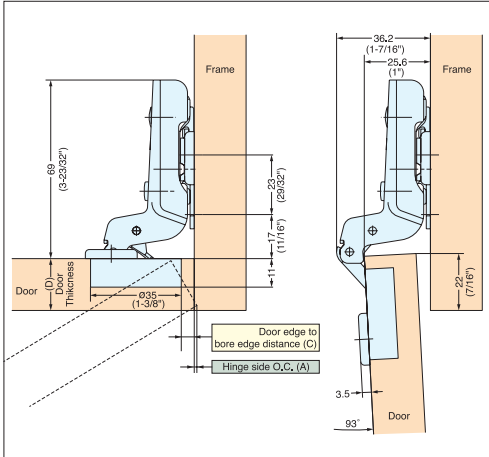


Hinge side opening clearance chart

Door thickness (D)	Door edge to bore edge distance (C)		
	3	4	5
15	0.0	0.0	0.0
16	0.1	0.1	0.1
17	0.1	0.1	0.1
18	0.3	0.3	0.2
19	0.4	0.4	0.4
20	0.6	0.6	0.6
21	0.9	0.8	0.8
22	1.2	1.2	1.1

Hinge side O.C. (A)

*Mounting Plate sold separately. See P.299
 *Mounting Screw sold separately. See TAP3515NI on P.299



Bore Dimensions

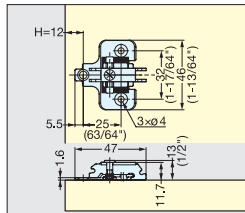
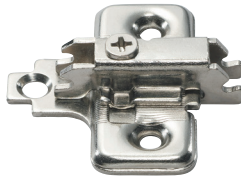
Item No.	Type	Weight (g)	Carton (pcs)
230-26/0T	Free Swinging	60	200
230-C26/0T	Self-Closing		

Material	Finish
Steel	Nickel

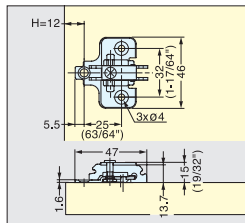
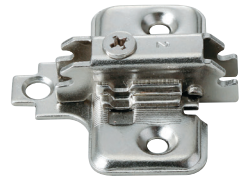
MOUNTING PLATE FOR 230 SERIES HINGES



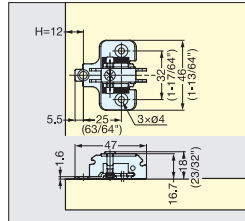
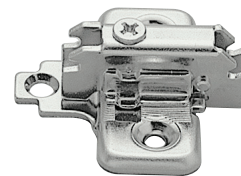
230-P4W-32T



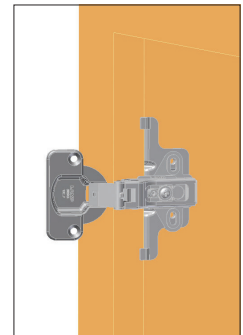
230-P4W-32T + 2



230-P4W-32T + 5



Installation



Face Frame Bracket for 230 Mounting Plate.
 See P.344 (Sold separately)



TAP3515 NI
 (Sold separately)

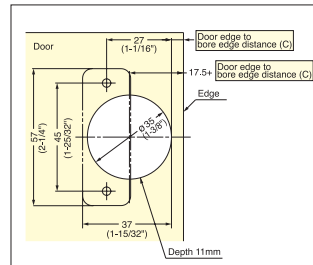
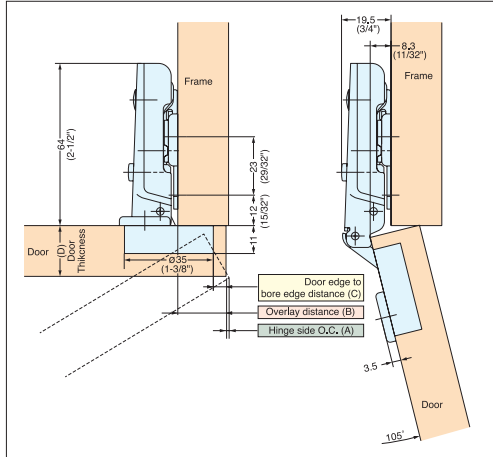
Item No.	Weight (g)	Carton (pcs)
230-P4W-32T	40	400
230-P4W-32T + 2		400
230-P4W-32T + 5		400

Material	Finish
Steel	Nickel

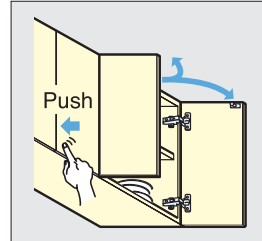
CONCEALED HINGE (19mm OVERLAY)



230-U26/19T



Bore Dimensions



*Mounting Plate sold separately. See P.301
 *Mounting Screw sold separately. See TAP3515NI on P.301

- Spring loaded concealed hinge pushes doors open.
- Use with a push latch (MC-37, MC-28, etc) to create a "Push to Open" handsless self opening door. See P.123-124

■ Door edge to bore edge distance (C) and Overlay distance (B) Table 1.

Door edge to bore edge distance (C)	3	4	5
Overlay distance (B)	17	18	19

■ Hinge side opening clearance chart Table 2.

Door thickness (D)	Door edge to bore edge distance (C)		
	3	4	5
15	1.0	0.9	0.9
16	1.2	1.2	1.1
17	1.5	1.5	1.4
18	1.8	1.8	1.7
19	2.2	2.1	2.0
20	2.6	2.5	2.4
21	3.0	2.9	2.8
22	3.4	3.3	3.2

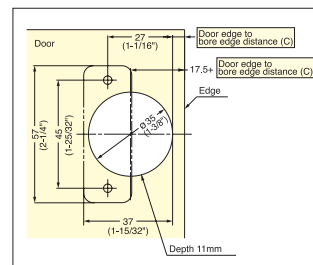
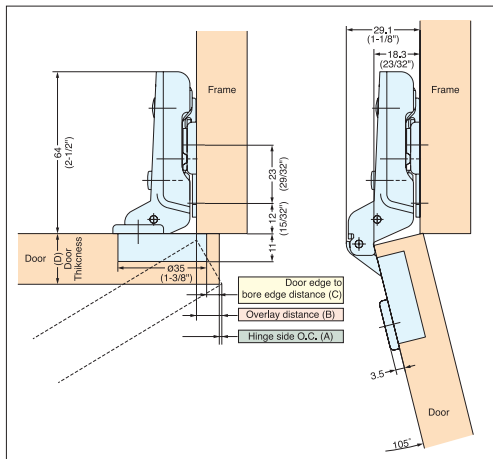
Hinge side O.C. (A)

Item No.	Type	Weight (g)	Carton (pcs)	Material	Finish
230-U26/19T	Self-Opening	60	200	Steel	Nickel

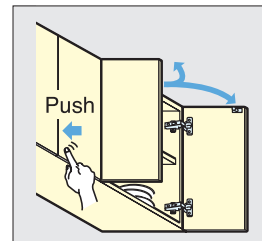
CONCEALED HINGE (9mm OVERLAY)



230-U26/9T



Bore Dimensions



*Mounting Plate sold separately. See P.301
 *Mounting Screw sold separately. See TAP3515NI on P.301

- Spring loaded concealed hinge pushes doors open.
- Use with a push latch (MC-37, MC-28, etc) to create a "Push to Open" handsless self opening door. See P.123-124

■ Door edge to bore edge distance (C) and Overlay distance (B) Table 1.

Door edge to bore edge distance (C)	3	4	5
Overlay distance (B)	7	8	9

■ Hinge side opening clearance chart Table 2.

Door thickness (D)	Door edge to bore edge distance (C)		
	3	4	5
15	1.0	0.9	0.9
16	1.2	1.2	1.1
17	1.5	1.5	1.4
18	1.8	1.8	1.7
19	2.2	2.1	2.0
20	2.6	2.5	2.4
21	3.0	2.9	2.8
22	3.4	3.3	3.2

Hinge side O.C. (A)

Item No.	Type	Weight (g)	Carton (pcs)	Material	Finish
230-U26/9T	Self-Opening	60	200	Steel	Nickel

CONCEALED HINGE (INSET)



230-U26/0T

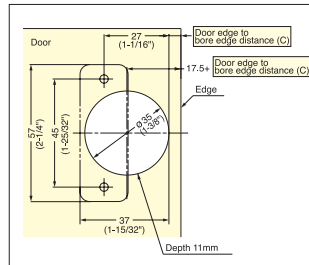
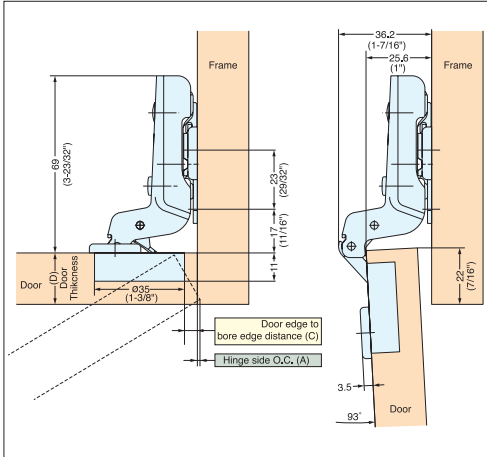


■ Hinge side opening clearance chart

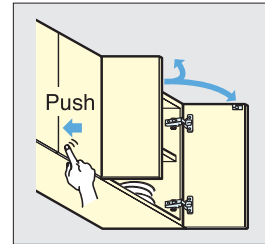
Door thickness (D)	Door edge to bore edge distance (C)		
	3	4	5
15	0.0	0.0	0.0
16	0.1	0.1	0.1
17	0.1	0.1	0.1
18	0.3	0.3	0.2
19	0.4	0.4	0.4
20	0.6	0.6	0.6
21	0.9	0.8	0.8
22	1.2	1.2	1.1

Hinge side O.C. (A)

*Mounting Plate sold separately. See P.301
 *Mounting Screw sold separately. See TAP3515NI on P.301



Bore Dimensions



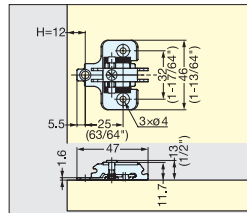
- Spring loaded concealed hinge pushes doors open.
- Use with a push latch (MC-37, MC-28, etc) to create a "Push to Open" handsell self opening door. See P.123-124

Item No.	Type	Weight (g)	Carton (pcs)	Material	Finish
230-U26/0T	Self-Opening	60	200	Steel	Nickel

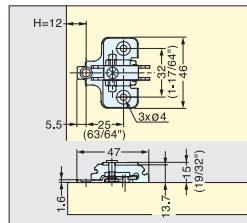
MOUNTING PLATE FOR 230 SERIES HINGES



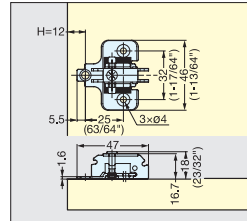
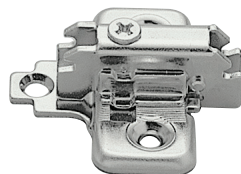
230-P4W-32T



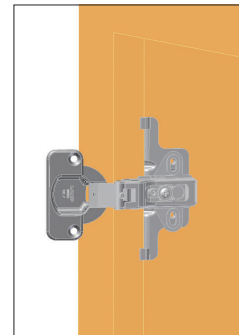
230-P4W-32T + 2



230-P4W-32T + 5



Installation



Face Frame Bracket for 230 Mounting Plate.
 See P.344 (Sold separately)



TAP3515 NI
 (Sold separately)

Item No.	Weight (g)	Carton (pcs)
230-P4W-32T	40	400
230-P4W-32T + 2		
230-P4W-32T + 5		

Material	Finish
Steel	Nickel

THICK DOOR CONCEALED HINGE (26mm OVERLAY)



H230-26/26T, C26/26T



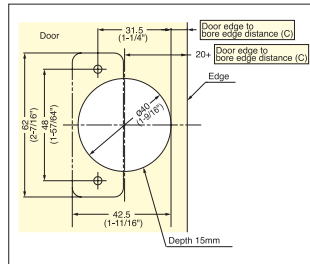
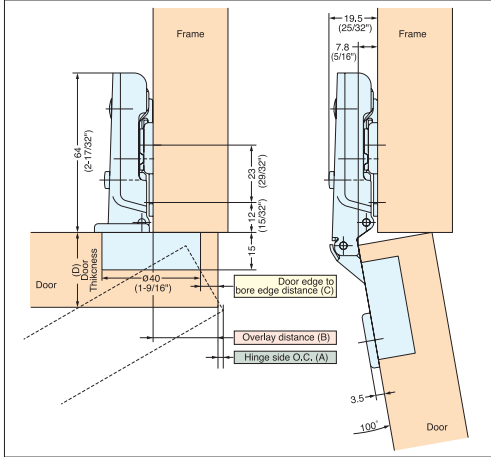
■ Door edge to bore edge distance (C) and Overlay distance (B) Table 1.

Door edge to bore edge distance (C)	3	4	5	6	7
Overlay distance (B)	22	23	24	25	26

■ Hinge side opening clearance chart Table 2.

Door thickness (D)	Door edge to bore edge distance (C)				
	3	4	5	6	7
18	0.2	0.2	0.2	0.2	0.2
20	0.4	0.4	0.4	0.4	0.4
22	0.7	0.7	0.6	0.6	0.6
24	1.0	1.0	1.0	1.0	0.9
26	1.4	1.4	1.3	1.3	1.3
28	2.7	1.9	1.8	1.8	1.8
30	5.1	4.1	3.1	2.4	2.3
32	7.5	6.5	5.5	4.5	3.5
34	9.9	8.9	7.9	6.9	5.9

Hinge side O.C. (A)



Bore Dimensions

*Mounting Plate sold separately. See P.303
 *Mounting Screw sold separately. See TAP3515NI on P.303

Item No.	Type	Weight (g)	Carton (pcs)
H230-26/26T	Free Swinging	60	200
H230-C26/26T	Self-Closing		

Material	Finish
Steel	Nickel

THICK DOOR CONCEALED HINGE (16mm OVERLAY)



H230-26/16T, C26/16T



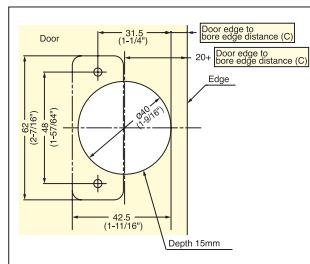
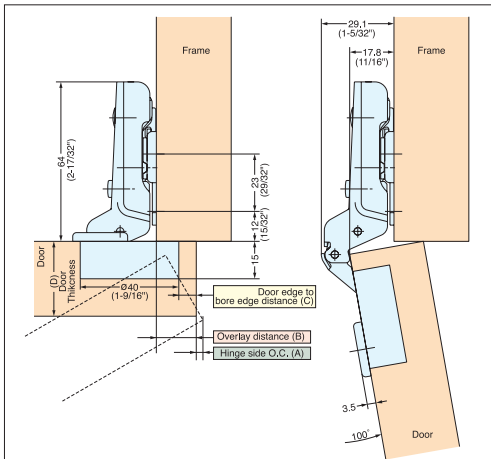
■ Door edge to bore edge distance (C) and Overlay distance (B) Table 1.

Door edge to bore edge distance (C)	3	4	5	6	7
Overlay distance (B)	12	13	14	15	16

■ Hinge side opening clearance chart Table 2.

Door thickness (D)	Door edge to bore edge distance (C)				
	3	4	5	6	7
18	0.2	0.2	0.2	0.2	0.2
20	0.4	0.4	0.4	0.4	0.4
22	0.7	0.7	0.6	0.6	0.6
24	1.0	1.0	1.0	1.0	0.9
26	1.4	1.4	1.3	1.3	1.3
28	2.7	1.9	1.8	1.8	1.8
30	5.1	4.1	3.1	2.4	2.3
32	7.5	6.5	5.5	4.5	3.5
34	9.9	8.9	7.9	6.9	5.9

Hinge side O.C. (A)



Bore Dimensions

*Mounting Plate sold separately. See P.303
 *Mounting Screw sold separately. See TAP3515NI on P.303

Item No.	Type	Weight (g)	Carton (pcs)
H230-26/16T	Free Swinging	60	200
H230-C26/16T	Self-Closing		

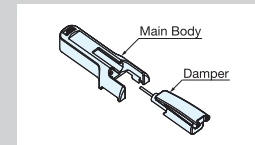
Material	Finish
Steel	Nickel

CONCEALED HINGE DAMPER

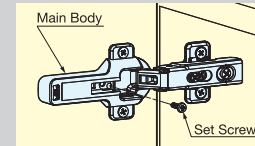
230-SCA SERIES



- Damper unit for 230 Series concealed hinges. (Sold separately)
- Allows door to close softly and smoothly without slamming shut.
- Easy installation-attach with one screw.

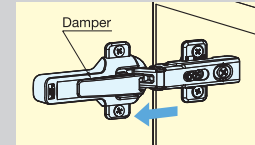


1) Remove the damper unit from the main body.

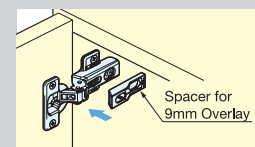


2) Lay the damper body over the hinge and install with the screw provided.

*Note: do NOT use an impact driver to install.



3) Snap in the damper assembly.

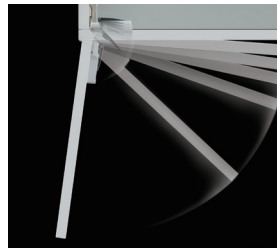


4) If using a 9 mm overlay hinge, install spacer on the cabinet side of the hinge.

Overhend view of cabinet door while soft closing.



230-SCA



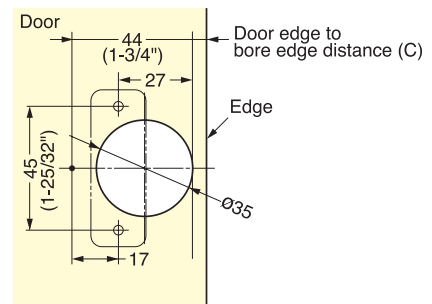
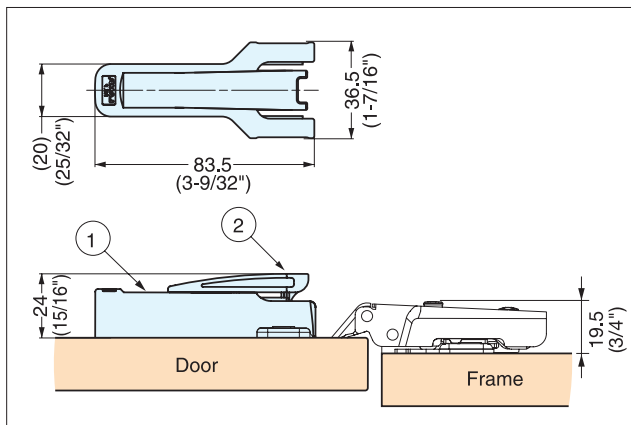
CONCEALED HINGE DAMPER (19mm OVERLAY)



230-SCA/19



- Eliminates noise by allowing door to close softly and smoothly.
 - Simple installation-set in place with only one screw.
 - Compatible with model 230-C26/19T.
 - Includes installation screw.
- Note : 1) For use with 230-C26/19T only.
 2) Please refer to the table below for the recommended number of dampers to use per door.
 3) Do NOT use an impact driver to install.



Total No. of Hinges	No. of Dampers
2	1
3	2
4	2
5	3

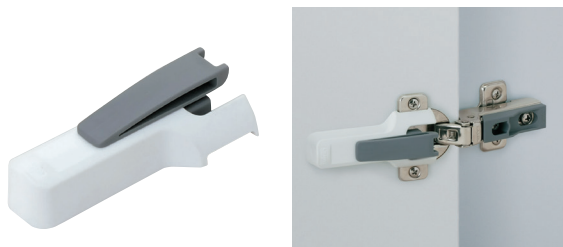
No.	Part Name	Material	Finish
①	Body	Plastic (PBT)	White
②	Damper	Polyacetal	Grey

Item No.	Weight (g)	Box (pcs)	Carton (pcs)
230-SCA/19	26	20	200

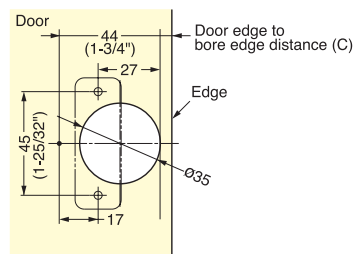
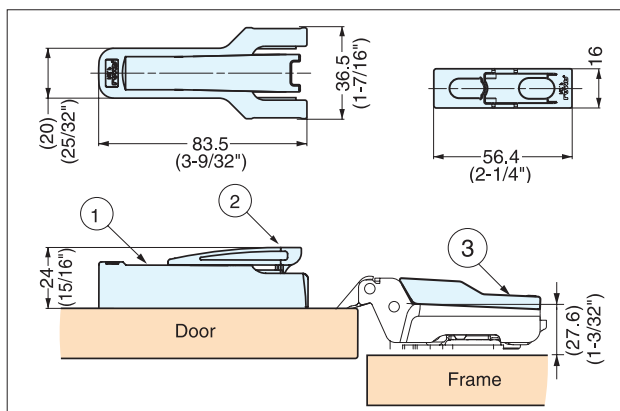
CONCEALED HINGE DAMPER (9mm OVERLAY)



230-SCA/9



- Eliminates noise by allowing door to close softly and smoothly.
 - Simple installation-set in place with only one screw.
 - Compatible with model 230-C26/9T.
 - Includes installation screw and spacer.
- Note : 1) For use with 230-C26/9T only.
 2) Please refer to the table below for the recommended number of dampers to use per door.
 3) Do NOT use an impact driver to install.



Total No. of Hinges	No. of Dampers
2	1
3	2
4	2
5	3

No.	Part Name	Material	Finish
①	Body	Plastic (PBT)	White
②	Damper	Polyacetal	Grey
③	Spacer	Plastic (PBT)	Grey

Item No.	Weight (g)	Box (pcs)	Carton (pcs)
230-SCA/9	28.8	20	200



For smooth movement
Soft motion

Hold in any position
Free-stop motion

Helps you open
Power assist motion

Snap and stop
Click motion

New openings
Unique motion

What is Sugatsune's "Motion Design Tech"?

Motion Design Tech is Sugatsune's unique product concept to provide specialized movement solutions for your flaps and doors.

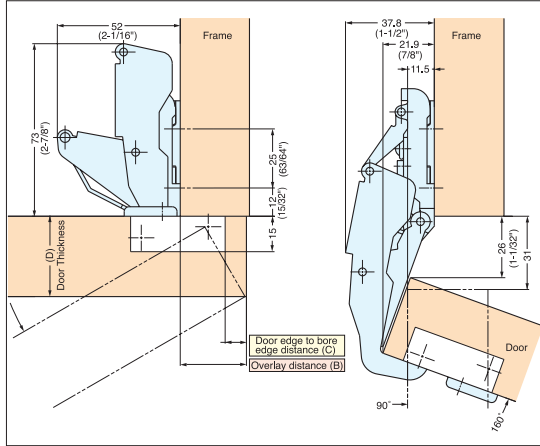
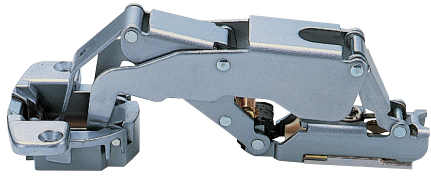


The operability of doors or lids can be improved by incorporating the 5 types of motions in the work environment. It can also improve the efficiency of work involving opening and closing movements, increasing the added value of the device and equipment.

CONCEALED HINGE (28mm OVERLAY)



H160-34/28, H160-C34/28



■ Door edge to bore edge distance (C) and Overlay distance (B)

Table 1.

Door edge to bore edge distance (C)	3	4	5	6	7	8	9
Overlay distance (B)	22	23	24	25	26	27	28

■ Hinge side opening clearance chart

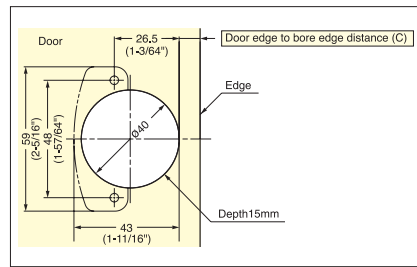
Table 2.

Door thickness (D)	Door edge to bore edge distance (C)						
	3	4	5	6	7	8	9
33	0.1						
34	0.2	0.2	0.2	0.2	0.2	0.2	0.2
35	0.3	0.3	0.3	0.3	0.3	0.3	0.3
36	2.0	1.6	1.5	1.4	1.0	0.7	0.5
37	3.7	3.1	2.7	2.4	2.0	1.4	0.9
38	5.0	4.4	3.8	3.3	2.8	2.2	1.7
39	6.2	5.4	4.9	4.3	3.7	3.0	2.6
40	7.2	6.4	5.7	5.3	4.6	3.9	3.4

Hinge side O.C. (B)

*Mounting Plate sold separately. See P.307

Bore Dimensions



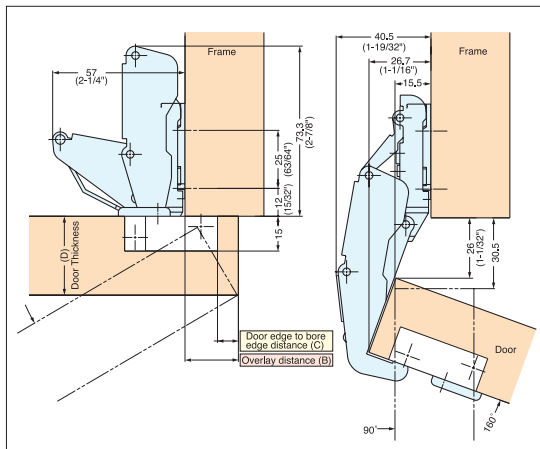
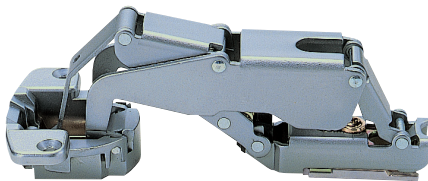
Item No.	Type	Weight (g)	Carton (pcs)
H160-34/28	Free Swinging	182	100
H160-C34/28	Self-Closing		

Material	Finish	Finish
Body	Steel	Satin Chrome
Cup	Zinc Alloy	

CONCEALED HINGE (23mm OVERLAY)



H160-34/23, H160-C34/23



■ Door edge to bore edge distance (C) and Overlay distance (B)

Table 1.

Door edge to bore edge distance (C)	3	4	5	6	7	8	9
Overlay distance (B)	17	18	19	20	21	22	23

■ Hinge side opening clearance chart

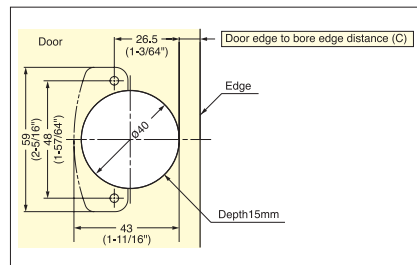
Table 2.

Door thickness (D)	Door edge to bore edge distance (C)						
	3	4	5	6	7	8	9
33	0.2						
34	0.3	0.3	0.3	0.3	0.3	0.3	0.3
35	0.7	0.7	0.7	0.7	0.7	0.6	0.5
36	3.2	3.0	2.7	2.3	1.6	1.3	0.9
37	5.0	4.4	3.8	3.2	2.6	2.1	1.6
38	6.2	5.5	4.8	4.2	3.5	2.9	2.4
39	7.2	6.4	5.7	5.1	4.4	3.9	3.3
40	8.3	7.3	6.6	6.0	5.4	4.7	4.2

Hinge side O.C. (B)

*Mounting Plate sold separately. See P.307

Bore Dimensions



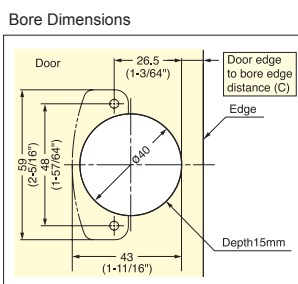
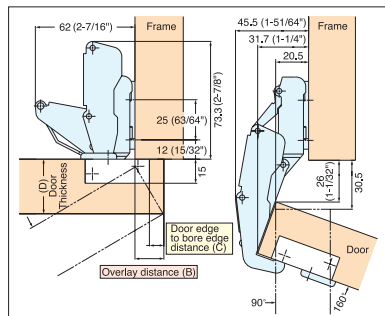
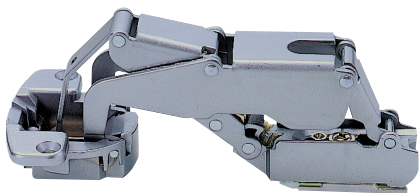
Item No.	Type	Weight (g)	Carton (pcs)
H160-34/23	Free Swinging	205	100
H160-C34/23	Self-Closing		

Material	Finish	Finish
Body	Steel	Satin Chrome
Cup	Zinc Alloy	

CONCEALED HINGE (18mm OVERLAY)



H160-34/18, H160-C34/18



■ Door edge to bore edge distance (C) and Overlay distance (B) Table 1.

Door edge to bore edge distance (C)	5	6	7	8	9
Overlay distance (B)	14	15	16	17	18

■ Hinge side opening clearance chart Table 2.

Door thickness (D)	Door edge to bore edge distance (C)				
	5	6	7	8	9
33	0.2				
34	0.3	0.3	0.3	0.3	0.3
35	0.7	0.7	0.7	0.6	0.5
36	2.7	2.3	1.6	1.3	0.9
37	3.8	3.2	2.6	2.1	1.6
38	4.8	4.2	3.5	2.9	2.4
39	5.7	5.1	4.4	3.9	3.3
40	6.6	6.0	5.4	4.7	4.2

Hinge side O.C. (B)
*Mounting Plate sold separately. See P.307

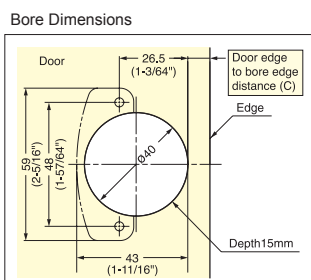
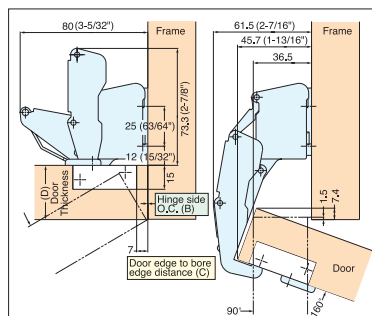
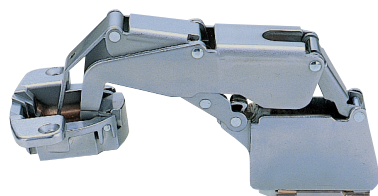
Item No.	Type	Weight (g)	Carton (pcs)
H160-34/18	Free Swinging	205	100
H160-C34/18	Self-Closing		

Material	Finish	Finish
Body	Steel	Satin Chrome
Cup	Zinc Alloy	

CONCEALED HINGE (INSET)



H160-34/0, H160-C34/0



■ Hinge side opening clearance chart

Door thickness (D)	Door edge to bore edge distance (C)				
	3	4	5	6	7
30	0.1				
31	0.1	0.1	0.1	0.1	0.1
32	0.2	0.2	0.2	0.2	0.2
33	0.2	0.2	0.2	0.2	0.2
34	0.3	0.3	0.3	0.3	0.3
35	0.9	0.9	0.9	0.8	0.8
36	3.4	3.1	2.8	2.2	1.6

Hinge side O.C. (B)
*Mounting Plate sold separately. See P.307

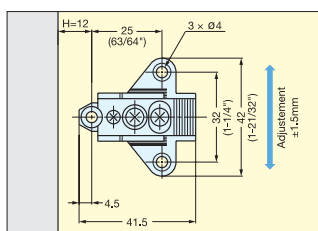
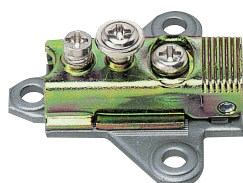
Item No.	Type	Weight (g)	Carton (pcs)
H160-34/0	Free Swinging	250	100
H160-C34/0	Self-Closing		

Material	Finish	Finish
Body	Steel	Satin Chrome
Cup	Zinc Alloy	

MOUNTING PLATE FOR H160 SERIES HINGES



100-04A-W-32



*Can be used with Face Frame Bracket FCCB-HG-1 (See P.344).

Item No.	Weight (g)	Carton (pcs)
100-04A-W-32	23	400
Part Name	Material	Finish
Body	Steel	Satin Chrome

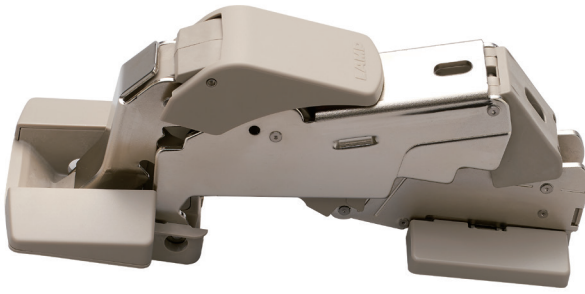
SPECIALTY OVERLAY HINGE W/ SOFT-CLOSE (25mm Overlay)



J160-D22

HINGES

CONCEALED HINGES

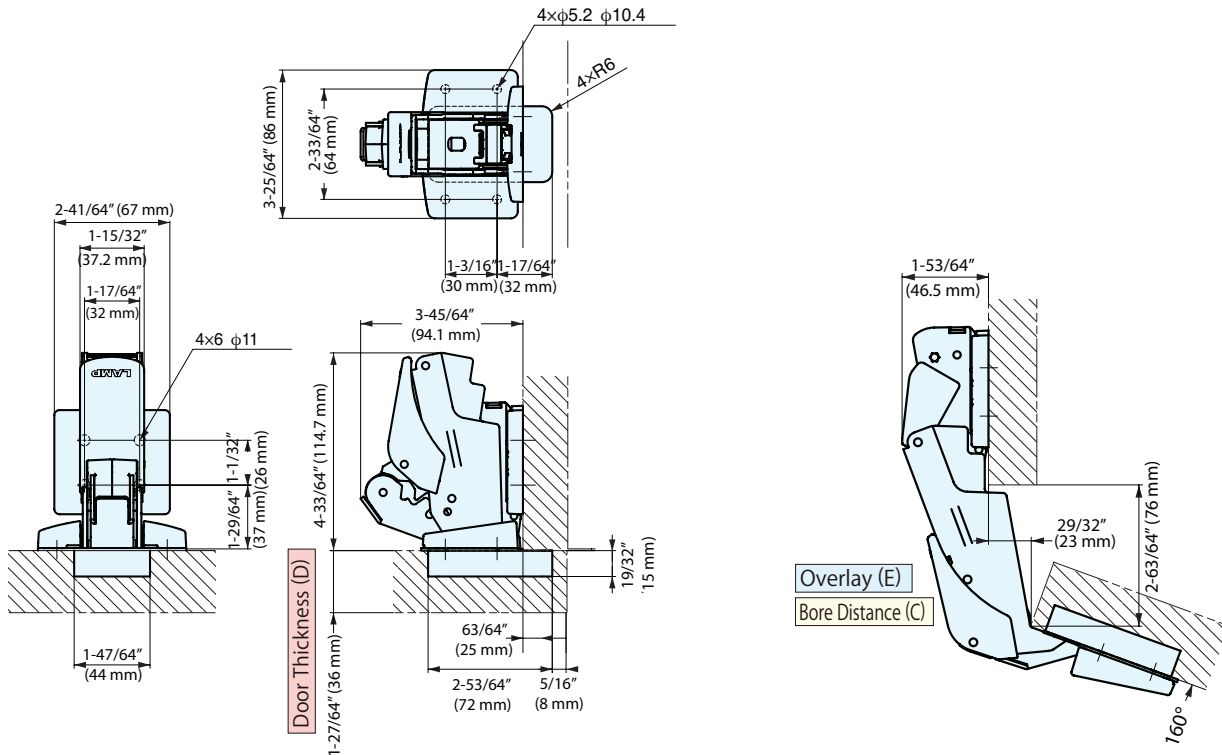


Nickel (NI)

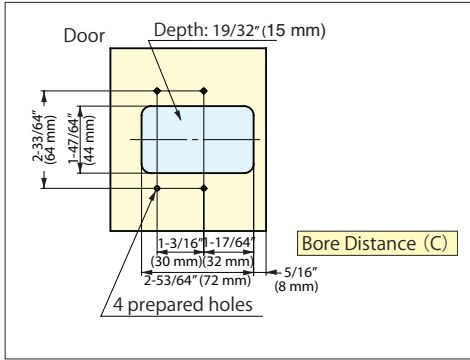


Black Nickel (BN)

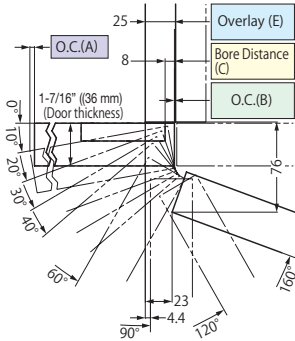
- 3-way adjustability with built-in damper.
- Load capacity:
55 lbs (25 kg)/2 pcs, 88 lbs (40 kg)/3 pcs.
- Maximum door width:
31-1/2" (800 mm)/2 pcs,
35-7/16" (900 mm)/3 pcs.
- Wide-opening hinge allowing 160° opening.
- Successfully passed 50,000 open/close private cycle test.
- Recommended door thickness:
11/16-1-7/16" (18-36 mm).
- Includes mounting plates and screw covers.
- Built in damper allows doors to soft-close.



Item No.	Weight (g)	Box (pcs)	Carton (pcs)	Material	Finish
J160-D22-25T-NI	710	1	12	Steel, Zinc Alloy (ZDC), Glass Filled Polyamide (PA)	Nickel (NI)
J160-D22-25T-BN					Black Nickel (BN)



Bore Dimensions



■ Door edge to bore edge distance (C) and Overlay distance (E) Table-1

Door edge to bore edge distance (C)	1/8"(3)	5/32"(4)	13/64"(5)	15/64"(6)	9/32"(7)	15/16"(8)
Overlay distance (E)	25/32"(20)	53/64"(21)	55/64"(22)	29/32"(23)	15/16"(24)	63/64"(25)

Overlay adjustment (Max. -4mm) by turning the overlay adjustment screw.

Opening Clearance (O.C.)

Clearances for door edge O.C. (A) and hinge side O.C. (B) are necessary. O.C. (A) and (B) change depending on door thickness and bore distance (C). Refer to locus chart and tables below when designing cabinets.

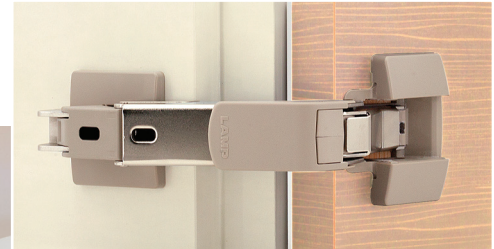
■ Hinge side opening clearance chart Table-2

Door Thickness (D)*	Door edge to bore edge distance (C)					
	1/8"(3)	5/32"(4)	13/64"(5)	15/64"(6)	9/32"(7)	15/16"(8)
1-11/32"(34) and under	0.1 and under					
1-27/64"(36)	1/64"(0.2)	1/64"(0.2)	1/64"(0.2)	1/64"(0.2)	1/64"(0.2)	1/64"(0.2)
1-1/2"(38)*	1/64"(0.5)	1/64"(0.5)	1/64"(0.5)	1/64"(0.5)	1/32"(0.6)	1/32"(0.6)
1-37/64"(40)*	3/64"(1.0)	3/64"(1.0)	3/64"(1.1)	3/64"(1.2)	3/64"(1.3)	1/16"(1.4)
Hinge side O.C (B)						

*Please refer to the locus chart if door thickness is over 36 mm. (O.C. (B) can be made smaller by R chamfering (round chamfer) or C chamfering (chamfer plane) on the door)

Table-3

Door Thickness (D)*	Door Width						
	11-13/16" (300 mm)	15-3/4" (400 mm)	19-11/16" (500 mm)	23-5/8" (600 mm)	27-9/16" (700 mm)	31-1/2" (800 mm)	35-7/16" (900 mm)
25/32"(20)	1/16"(1.6)	3/64"(1.2)	3/64"(1.0)	1/32"(0.8)	1/32"(0.7)	1/32"(0.6)	1/64"(0.5)
1-3/16"(30)	5/64"(1.9)	1/16"(1.4)	3/64"(1.2)	3/64"(1.0)	1/32"(0.8)	1/32"(0.7)	1/32"(0.7)
1-27/64"(36)	5/64"(1.9)	1/16"(1.5)	3/64"(1.2)	3/64"(1.0)	1/32"(0.8)	1/32"(0.7)	1/32"(0.7)
O.C. (A)							



CONCEALED HINGE



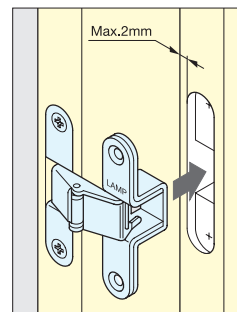
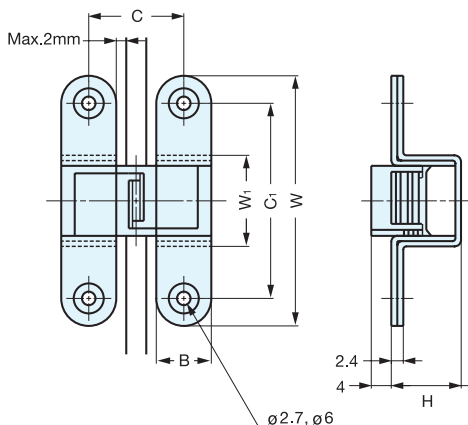
RK-50

HINGES

CONCEALED HINGES



- Door size :
Max. W450 × H700 (W 17-23/32" × H 27-9/16")
- Door thickness : Min. 15 (19/32")
- Door weight : Max. 2.6 kg/pair (5.7 lbs/pair)



Installation

Material	Finish
304 Stainless Steel	Satin

Item No.	W	B	C	C ₁	H	W ₁	Weight (g)	Box (pcs)	Carton (pcs)
RK-50	50 (1-31/32")	11 (7/16")	19 (3/4")	38 (1-1/2")	14 (35/64")	18.2 (23/32")	28	24	240

3-WAY Adjustable Concealed Hinge HES3D Series



Sizes vary for use with 1-1/2" thick doors to a minimum of 3/4" thick doors. Find more sizes, finishes and information about the HES3D Series Hinges on page 180~184, 309~311.



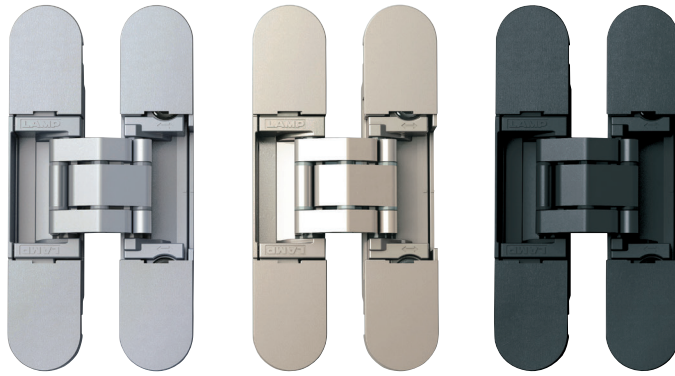
3-WAY ADJUSTABLE CONCEALED HINGE



HES3D-90

HINGES

3-WAY ADJUSTABLE CONCEALED HINGES

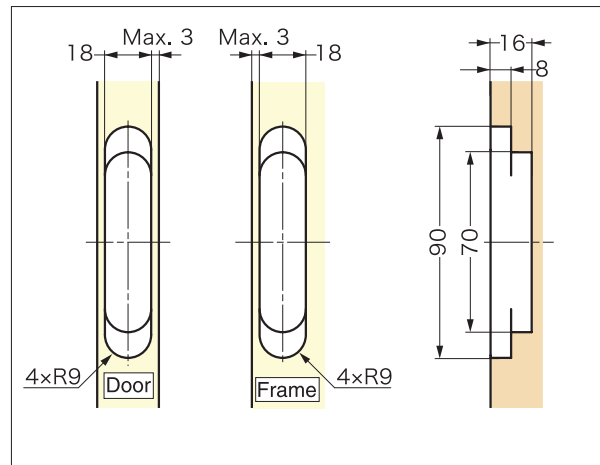
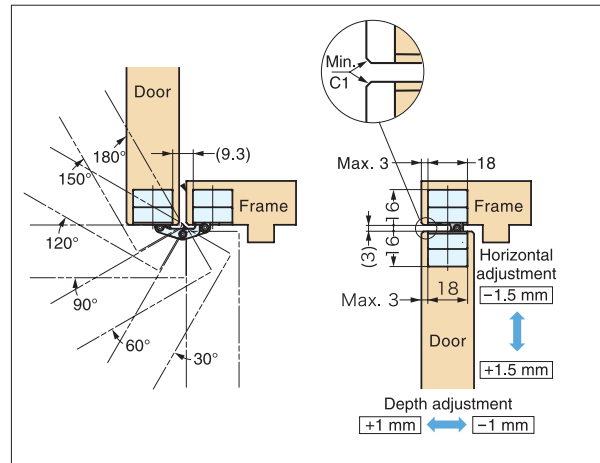
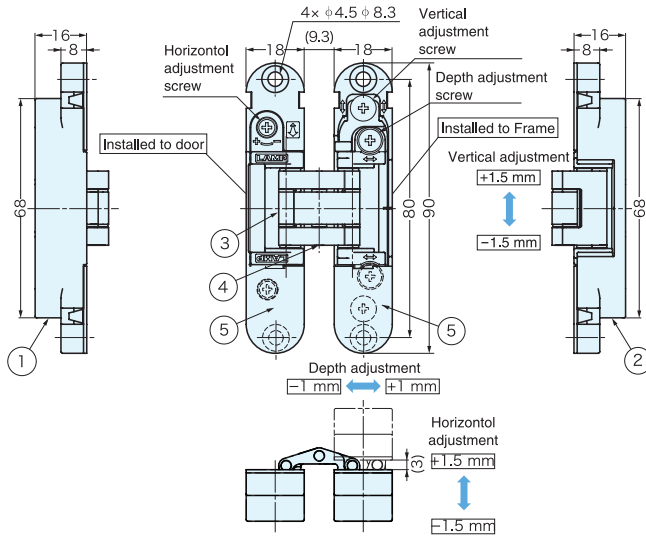


HES3D-90DC

HES3D-90DN

HES3D-90BL

- 3-WAY adjustment function allows vertical, horizontal, and depth adjustment.
- Covers hide all screw heads for clean appearance.
- Hinge leaves separate for easy installation and adjustment.
- Door weight: Max. 12 kg (26 lbs)/2 pcs, 16 kg (35 lbs)/3 pcs
- Door thickness: Min. 23 mm (15/16")
- Max door size: H 1500 mm × W 600 mm (59-1/16" × 23-5/8")
- Includes steel countersunk wood screws.



Cut Out Dimensions

No.	Part Name	Material	Finish/Color		
			DC	DN	BL
①	Body	Zinc Alloy	Dull Chrome	Dull Nickel	Black
②	Base Frame				
③	Arm				
④	Shaft	Stainless Steel	-	-	-
⑤	Cover	ABS	Dull Chrome	Dull Nickel	Black

Item No.	Finish	Min. Door Thickness	Weight (g)	Box (pcs)	Carton (pcs)
HES3D-90DC	Dull Chrome	23 (15/16")	198	2	48
HES3D-90DN	Dull Nickel				
HES3D-90BL	Black				

GLASS DOOR BRACKET



HES3D-G90BKT

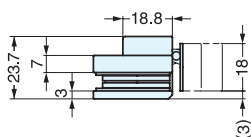
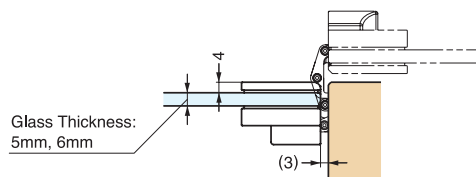
- Glass door bracket for HES3D-90 series.
- Hinge is completely hidden when looking through the glass.
- Screw covers match the bracket with the hinge finish.
- Glass thickness: 1/4" (5-6 mm)



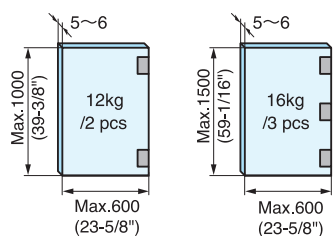
Chrome (CR)

Gold (GP)

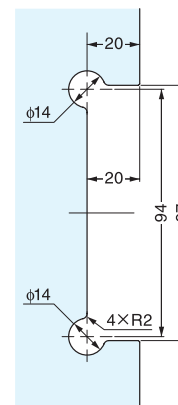
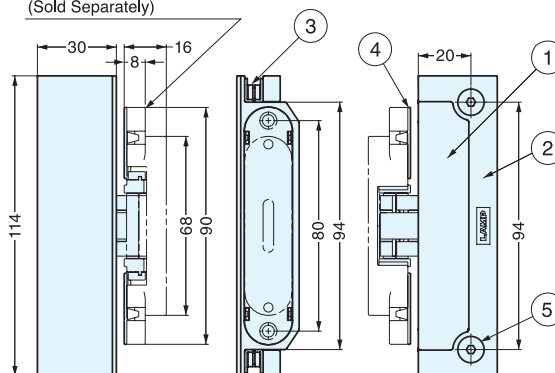
Black (BL)



Concealed Hinge HES3D-90 (Sold Separately)



Door Dimensions and Number of Hinges



Cut Out Dimensions

No.	Part Name	Material	Finish
①	Body	Zinc Alloy	Chrome, Gold Plating, Black
②	Back Plate		
③	Gasket	Chloroprene Rubber	
④	Screw Cover	ABS	
⑤	Hexagon Socket Countersunk Head	Steel	

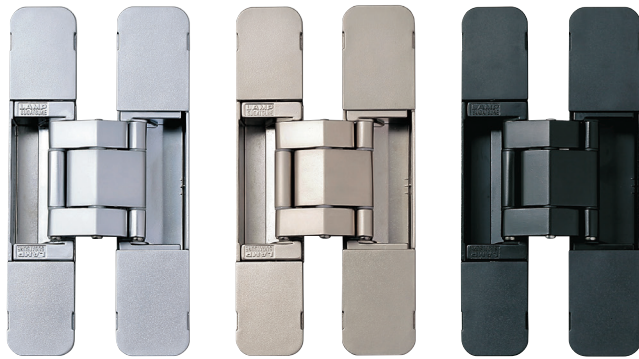
Item No.	Finish
HES3D-G90BKT-CR	Chrome
HES3D-G90BKT-GP	Gold
HES3D-G90BKT-BL	Black

3-WAY ADJUSTABLE CONCEALED HINGE HES3D-120



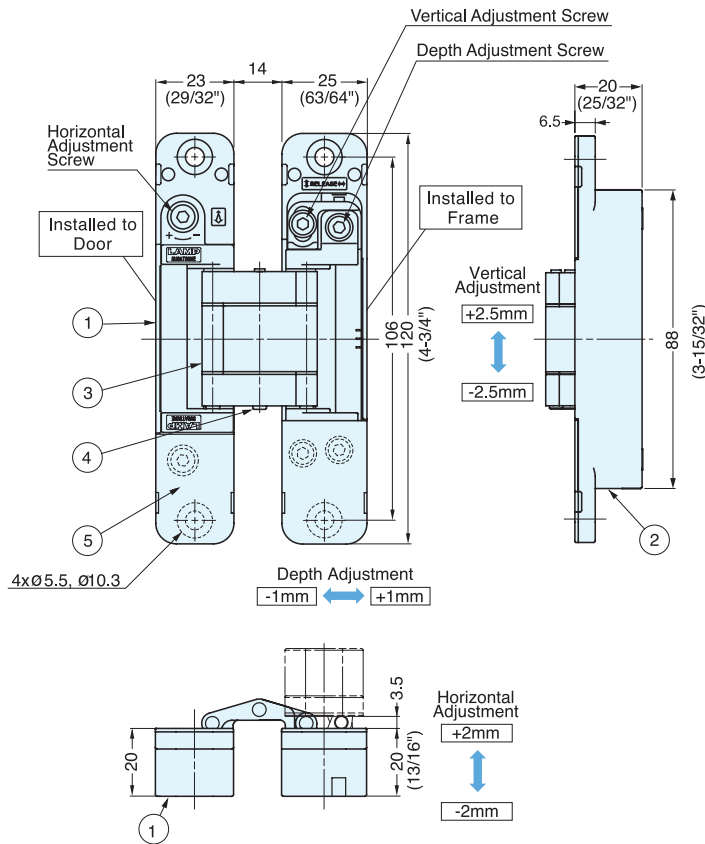
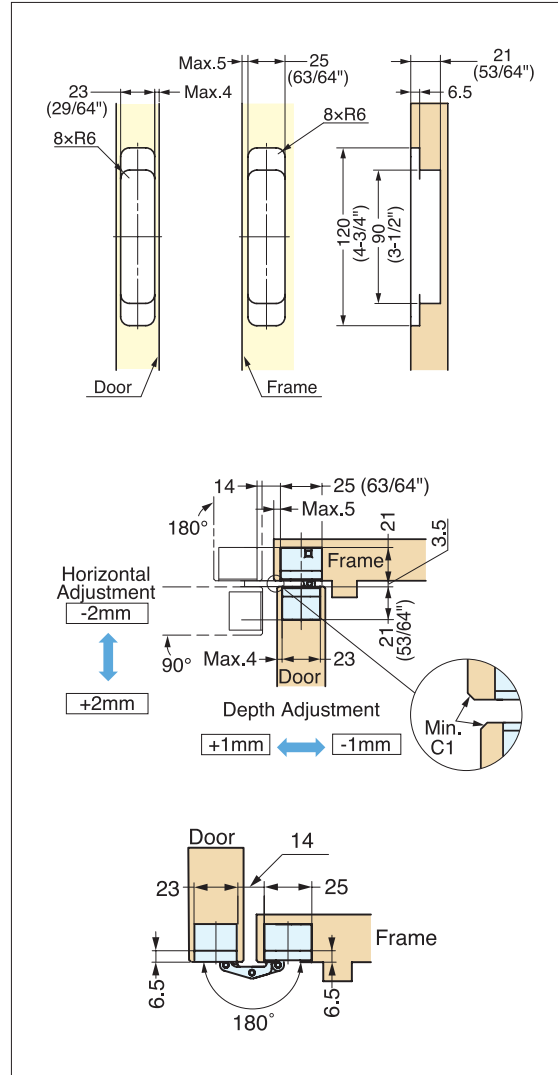
HINGES

3-WAY ADJUSTABLE CONCEALED HINGES



HES3D-120DC HES3D-120DN HES3D-120BL

- 3-WAY adjustment function allows vertical, horizontal, and depth adjustment after hinge installed.
- Easy installation and adjustment.
- Successfully passed 300,000 open/close private cycle tests.
- Supplied with steel flat head screw.
- Covers hide all screw heads for clean appearance.
- Door weight: Max. 30 kg (66 lbs)/2 pcs, 40 kg (88 lbs)/3 pcs
- Door Thickness: Min. 29 mm (1-1/8")
- Max. Door Size: H 2400 mm × W 900 mm (H 94-1/2" × W 35-7/16")
- Bracket for sheet metal available.



No.	Part Name	Material	Finish/Color
①	Body	Zinc Alloy	Dull Chrome (DC)
②	Base Frame		Dull Nickel (DN)
③	Arm		Black (BL)
④	Pin	304 Stainless Steel	-
⑤	Cover	ABS	Dull Chrome (DC) Dull Nickel (DN) Black (BL)

Item No.	Finish/Color	Weight (g)	Box (pcs)	Carton (pcs)
HES3D-120DC	Dull Chrome	380	2	24
HES3D-120DN	Dull Nickel			
HES3D-120BL	Black			

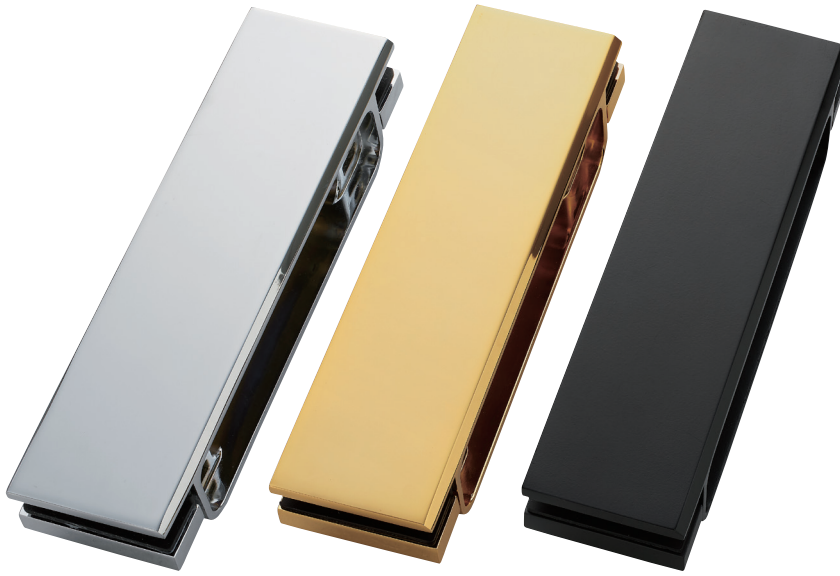
GLASS DOOR BRACKET for HES3D-120



HES3D-G120BKT

HINGES

GLASS DOOR BRACKET FOR HES3D-120 SERIES

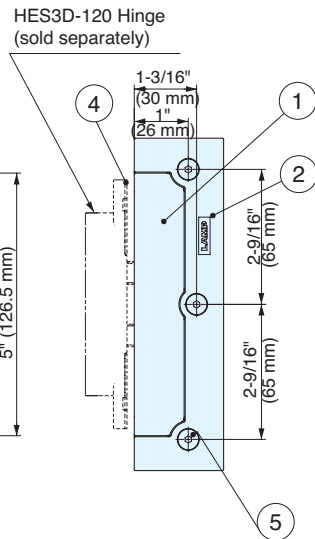
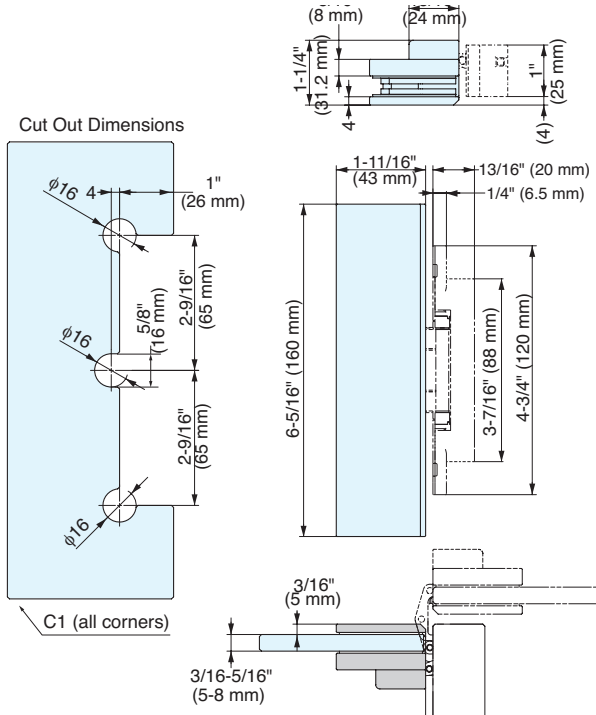


Chrome (CR)

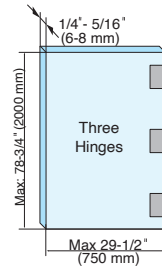
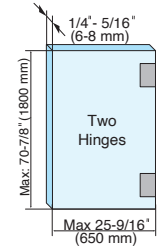
Gold (GP)

Black (BL)

- Glass door bracket for HES3D-120 series.
- Hinge is completely hidden when looking through the glass.
- Screw covers match the bracket with the hinge finish.
- Glass thickness: 3/16"-5/16" (5-8 mm)



Door Dimensions and Number of Hinges



Item No.	Finish
HES3D-G120BKT-CR	Chrome
HES3D-G120BKT-GP	Gold
HES3D-G120BKT-BL	Black

No.	Part Name	Material	Finish
①	Body	Zinc Alloy	Chrome, Gold Plating, Black
②	Back Plate		
③	Gasket	Chloroprene Rubber	
④	Screw Cover	ABS	
⑤	Hexagon Socket Countersunk Head	Steel	

CONCEALED HINGE

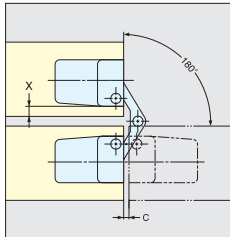
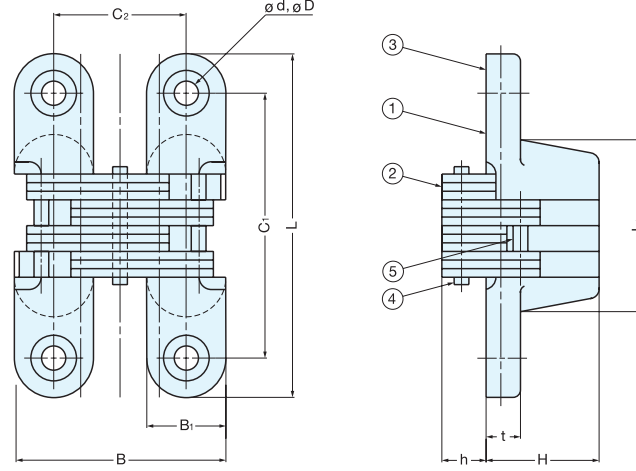
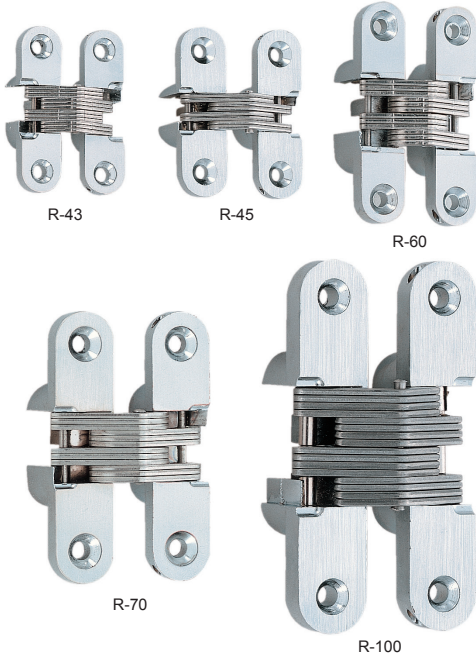


R SERIES

HINGES

CONCEALED HINGES

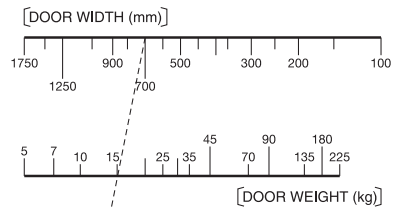
• Door size : Max. W450 × H700 × t21 mm
(W17-23/32" × H27-9/16" × t53/64")



Distance between door edge and hinge must be less than the figures shown in column "X" of the dimension table below.

To determine the number of hinges required for each door:

- Using the chart to the right, locate the correct door width (upper scale) and door weight (lower scale). Draw a line connecting these 2 points to the chart below (point "a"). Then draw a vertical line through the lower chart to find the number and type of hinges required.
- Check door thickness requirements.



Item No.	No. of Hinges (pcs)
R- 43	3
R- 45	3
R- 60	3
R- 70	2
R-100	2

[In case of door width, 700 mm and door weight, 15 kg]

Item No.	Required Number Of Hinges (pcs)				"a"	Min. Door Thickness
R-43	2	3	4			13 mm
R-45	2	3	4			19 mm
R-60	2	3	4			19 mm
R-70	2	3	4			25 mm
R-100	2	3	4			29 mm

No.	Part Name	Material	Finish
①	Body	Zinc Alloy	Satin Chrome
②	Link Arm	304 Stainless Steel	Plain
③	Pin A	R-43~70: 304 Stainless Steel	
		R-100: Steel	
④	Pin B	R-70: 303 Stainless Steel	
		R-43-60, 100: Stainless Steel	
⑤	Pin C	R-43-60: 304 Stainless Steel	
		R-70: 303 Stainless Steel	
		R-100: Steel	
*	Roller	R-100: Steel	Nickel

Item No.	L	L ₁	B	B ₁	C ₁	C ₂	H	h	t	D	d	C	X	Arm (qty)	Weight (g)	Box (pcs)	Carton (pcs)	Screw
R-43	43 (1-11/16")	22	29.0 (1-9/64")	11.0	32	18.0	13.0	(5.0)	5.0	6.2	3.5	0.8	2.3	12	37	30	300	3.1 × 16
R-45	45 (1-25/32")	19	35.7 (1-13/32")	13.0	32	22.7	18.5	(6.0)	5.0	7.0	3.5	0.8	3.0	8	56	20	200	3.1 × 20
R-60	60 (2-23/64")	33	35.2 (1-25/64")	13.0	47	22.2	18.5	(6.5)	6.5	8.3	4.3	1.0	3.0	12	94	10	100	3.5 × 20
R-70	70 (2-3/4")	35	42.6 (1-43/64")	16.1	53	26.6	23.0	(9.0)	7.0	9.1	4.6	1.2	3.5	12	157	10	100	4.0 × 25
R-100	100 (3-15/16")	52	53.2 (2-3/32")	20.0	80	33.2	27.5	(9.5)	9.5	10.0	5.3	1.8	4.8	16	342	10	60	4.5 × 32